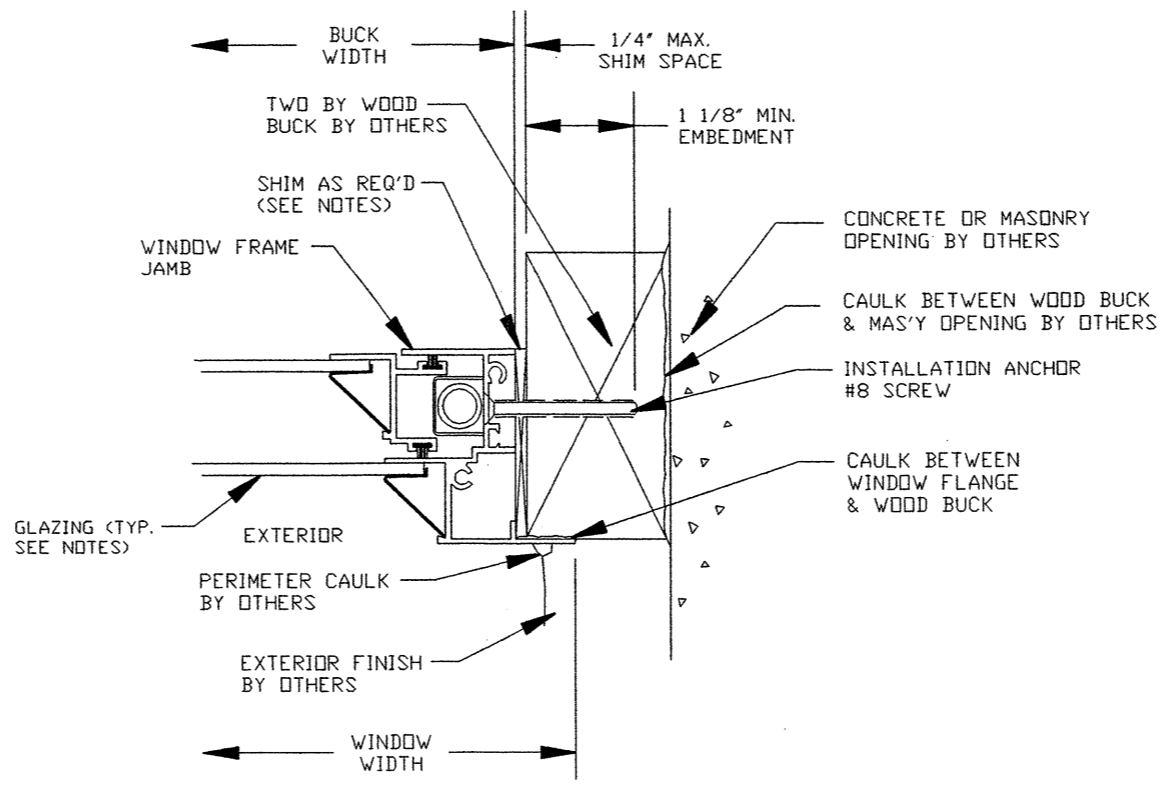
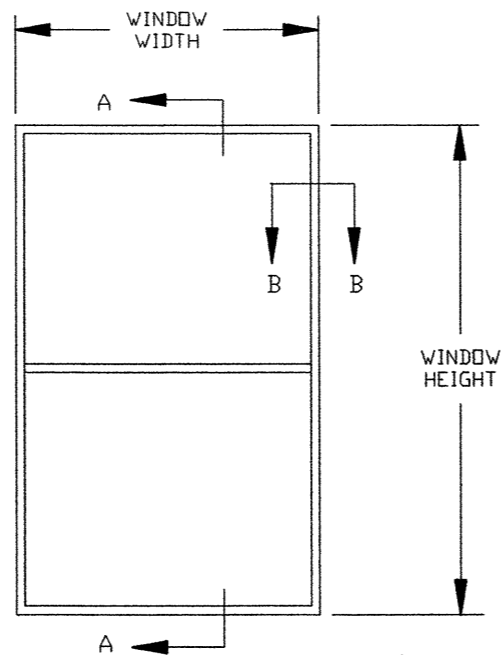


SECTION A-A



SECTION B-B



EXTERIOR ELEVATION

NOTES:

- 1) SHIM AS REQ'D. AT EACH INSTALLATION ANCHOR WITH LOAD BEARING SHIM. MAX ALLOWABLE SHIM STACK TO BE 1/4". USE SHIMS WHERE SPACE IS GREATER THAN 1/16".
- 2) WINDOW FRAME MATERIAL: ALUMINUM ALLOY 6063.
- 3) CONCRETE SCREW ANCHOR AT SILL MUST BE OF SUFFICIENT LENGTH TO ACHIEVE 1-1/4" MIN. EMBEDMENT INTO MASONRY OR CONCRETE.
- 4) USE LATEX CAULK BEHIND WINDOW FLANGE AT HEAD, JAMBS & SILL.
- 5) USE LATEX CAULK FOR PERIMETER SEAL AROUND EXTERIOR OF WINDOW FLANGE.
- 6) IF EXACT WINDOW SIZE IS NOT LISTED IN ANCHOR CHART, USE ANCHOR QUANTITY LISTED WITH NEXT LARGER SIZE, FOR THE APPROPRIATE DESIGN PRESSURE REQ'D.
- 7) GLASS THICKNESS MAY VARY PER THE REQUIREMENTS OF ASTM E1300 GLASS CHARTS. SINGLE GLAZING IS SHOWN, INSULATING GLASS ALSO QUALIFIED.
- 8) ALL FACTORY APPLIED HOLES SHOULD BE FILLED WITH #8 SCREWS OF SUFFICIENT LENGTH TO PROVIDE MIN. OF 1-1/8" EMBEDMENT INTO WOOD BUCK.

DESIGN PRESSURE  
CAPACITY = ±45.0 PSF

ANCHOR QUANTITY CHART

WINDOW SIZE IN INCHES	QUANTITY OF #8 SCREWS REQ'D. FOR INSTALLATION		QUANTITY OF ANCHORS
	@ HEAD	@ EA. JAMB	@ SILL
24 X 24	2	3	1
24 X 30	2	3	1
24 X 36	2	3	1
24 X 42	2	3	1
24 X 48	2	3	1
24 X 54	2	3	1
24 X 60	2	3	1
24 X 66	2	3	1
24 X 72	2	3	1
24 X 76	2	3	1
30 X 24	2	3	1
30 X 30	2	3	1
30 X 36	2	3	1
30 X 42	2	3	1
30 X 48	2	3	1
30 X 54	2	3	1
30 X 60	2	3	1
30 X 66	2	3	1
30 X 72	2	3	1
30 X 76	2	3	1
36 X 24	2	3	1
36 X 30	2	3	1
36 X 36	2	3	1
36 X 42	2	3	1
36 X 48	2	3	1
36 X 54	2	3	1
36 X 60	2	3	1
36 X 66	2	3	1
36 X 72	2	3	1
36 X 76	2	3	1
42 X 24	2	3	1
42 X 30	2	3	1
42 X 36	2	3	1
42 X 42	2	3	1
42 X 48	2	3	1
42 X 54	2	3	1
42 X 60	2	3	1
42 X 66	2	3	1
42 X 72	2	3	1
42 X 76	2	3	1
48 X 24	2	3	1
48 X 30	2	3	1
48 X 36	2	3	1
48 X 42	2	3	1
48 X 48	2	3	1
48 X 54	2	3	1
48 X 60	2	3	1
48 X 66	2	3	1
48 X 72	2	3	1
48 X 76	2	3	1
54 X 24	2	3	1
54 X 30	2	3	1
54 X 36	2	3	1
54 X 42	2	3	1
54 X 48	2	3	1
54 X 54	2	3	1
54 X 60	2	3	1
54 X 66	2	3	1
54 X 72	2	3	1
54 X 76	2	3	1

CUSTOM WINDOW SYSTEMS, INC.  
OCALA, FLORIDA

TITLE: SERIES 3500 ALUMINUM SINGLE HUNG WINDOW  
INSTALLATION DETAIL TWO BY BUCK IN MASONRY

ENGINEER: MANUEL MARTINEZ DRN: BB DATE: 01/10/02

DISCIPLINE: CIVIL SCALE: N.T.S. DWG. NO: CWS0102

FL. REG. NO: 47182 REV. LETTER: SHEET: 1 OF 1