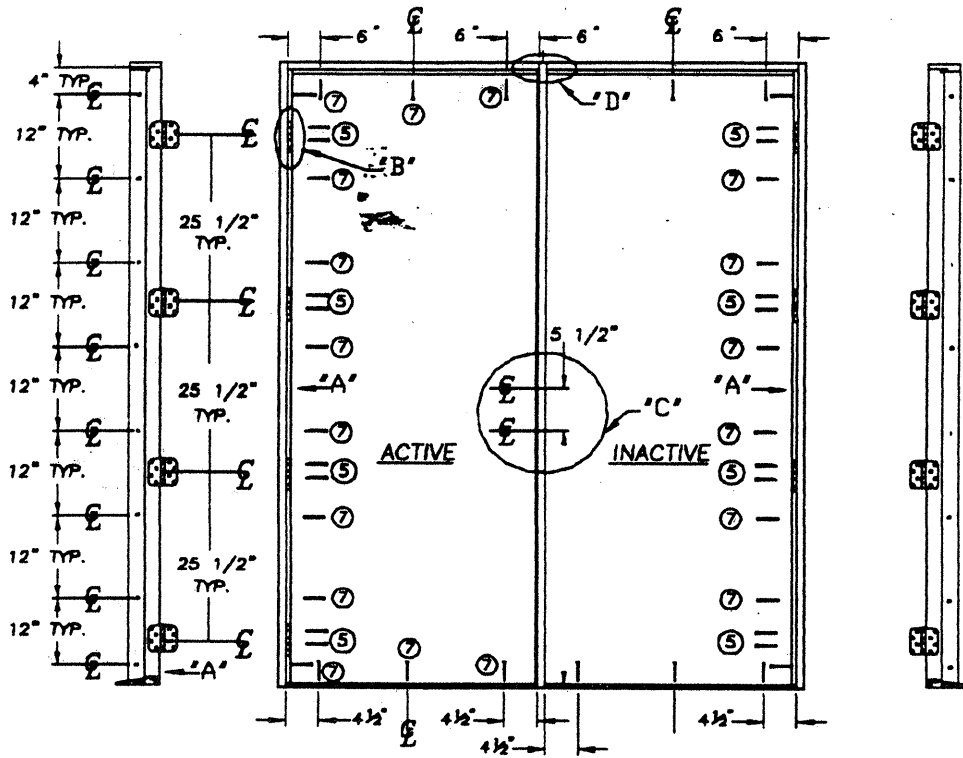
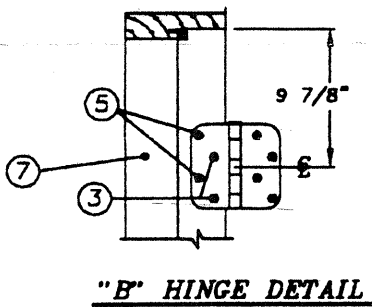


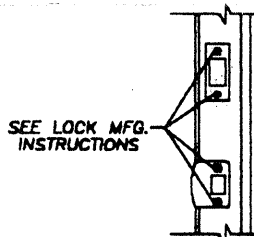
FINAL ANCHORING OF A WOOD FRAME UP TO 6'0" X 8'0"
DOUBLE INSWING UNIT
PRODUCT ACCEPTANCE No.: D8DI228



SCREW SCHEDULE	
③	#10 X 5/8" PHILLIPS FLAT HEAD
④	#10 X 1 3/4" PHILLIPS FLAT HEAD
⑤	#10 X 2" PHILLIPS FLAT HEAD
⑦	#10 X 3" PHILLIPS FLAT HEAD



"B" HINGE DETAIL



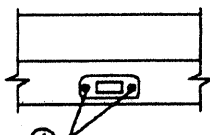
"C" LATCH DETAIL



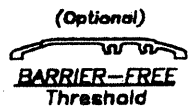
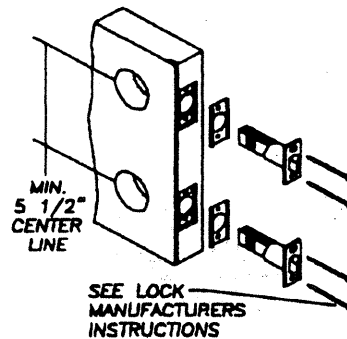
INSWING THRESHOLD



INSWING THRESHOLD



"D" ASTRAGAL PLATE



(Optional)
BARRIER-FREE
Threshold

Product Acceptance No: D8DI-228					
Size: up to 6'0" x 8'0"	Inswing (wood jamb)		Configuration: XX		
	4'0	4'8	5'0	5'4	6'0
Double Opaque	+99 -99	+89 -89	+84 -84	+78 -78	+70 -70
Double Glazed (Door does not meet Missile Impact)	+99 -99	+89 -89	+84 -84	+78 -78	+70 -70
Test # 210-2024,10,11,12	Mfg. by: Nan Ya Plastics / Plastpro			Livingston, NJ 07639	