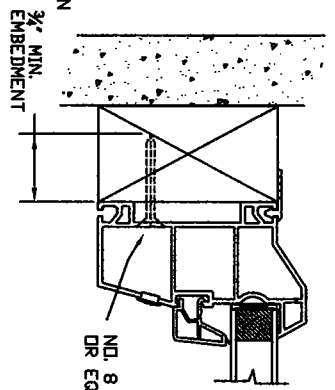
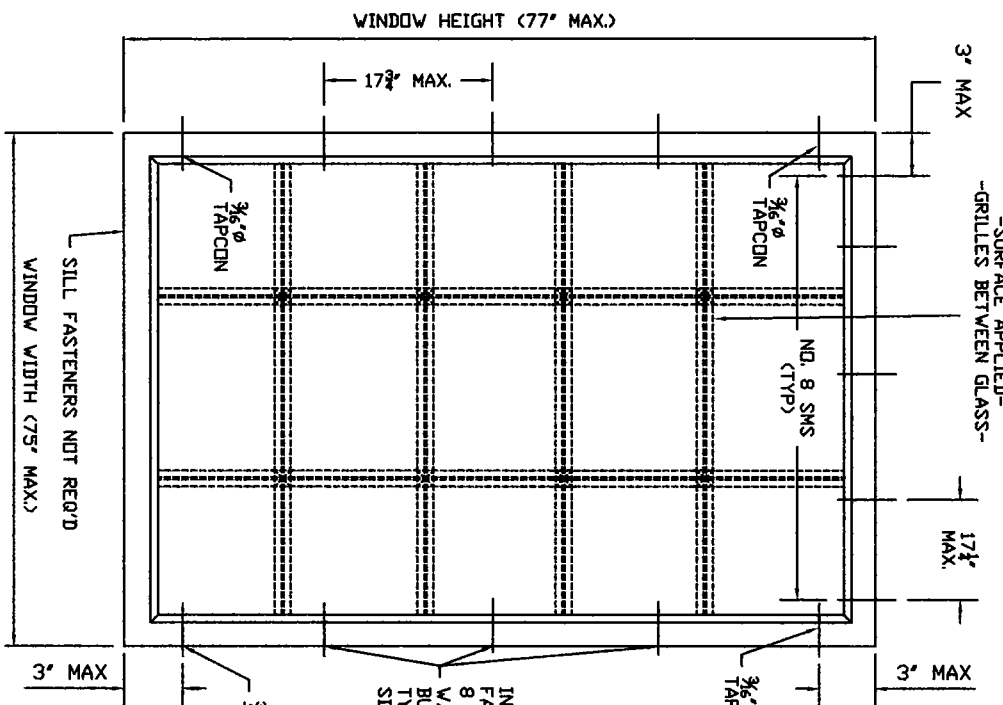
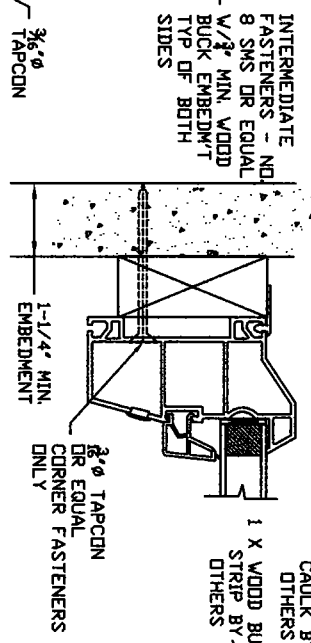


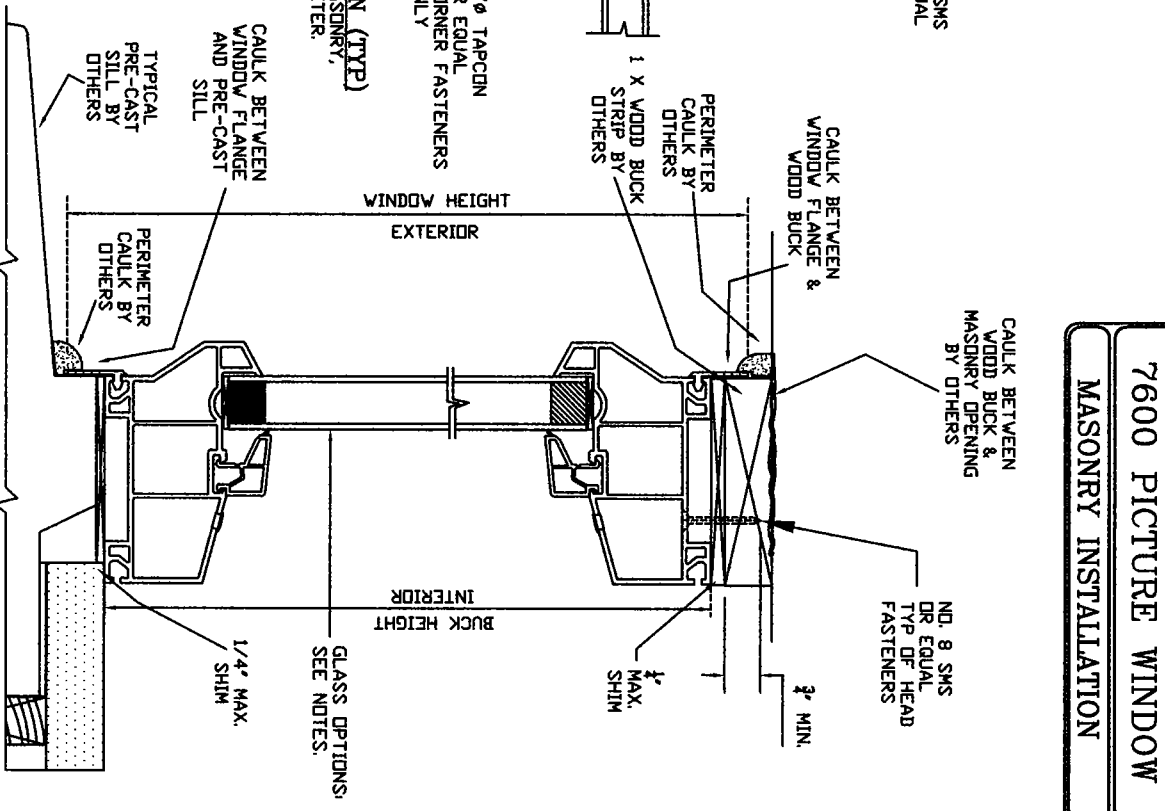
COLONIAL MUNTIN OPTIONS:
-SURFACE APPLIED-
-DRILLLES BETWEEN GLASS-



2 X BUCK JAMB SECTION (TYP)
NOTE: CAULK BETW. BUCK & MASONRY,
FLG & BUCK & WINDOW PERIMETER.



1 X BUCK JAMB SECTION (TYP)
NOTE: CAULK BETW. BUCK & MASONRY,
FLG & BUCK & WINDOW PERIMETER.



- WINDOW INSTALLATION NOTES:
1. DESIGN STRUCTURAL LOAD/RATING: 35 PSF/F-R35 & 60 PSF/F-R60
 2. CERTIFIED TEST REPORT: CTLA-785W-1 & CTLA-785W
 3. FRAME: PVC/FLANGE TYP
 4. GLASS: SINGLE PANE & INSULATED
 5. FASTENERS: 304 SS OR COATED FOR CORROSION RESISTANCE.
 6. GLAZING: INTERIOR GLAZED W/ADHESIVE BACK-BEDDING & SNAP IN EXTRUDED RIGID PVC GLAZE BEAD
 7. WINDOW SEALANTS: COMPLY W/AMA 800-92 OR EQUIVALENT.
 8. WINDOW WOOD BUCKS: STRUCTURAL INTEGRITY AND ATTACHMENT TO THE WINDOW OPENING IS THE SOLE RESPONSIBILITY OF THE OWNER, ENGINEER, AND/OR THE CONTRACTOR.
 9. STATE & LOCAL BLDG. CODES: CONFORMANCE IS SOLE RESPONSIBILITY OF THE ARCHITECT, BLDG. OWNER OR CONTRACTOR.

TYPICAL ELEVATION W/FASTENER LOCATIONS

ELEVATION SECTION (TYP)

David S. Kelly
03-24-3

PRODUCT SERIES:
7600 PICTURE WINDOW
MASONRY INSTALLATION

SEASONSHIELD INC. DRAWING NUMBER SHEET NUMBER

76M

1 of 1

Engineering Approvals:
Douglas Preston, PE
FL License No. 53291
11531 Wellman Dr.
River-view, FL 33569 (813)689,9418

PE certification is for structural loads only.

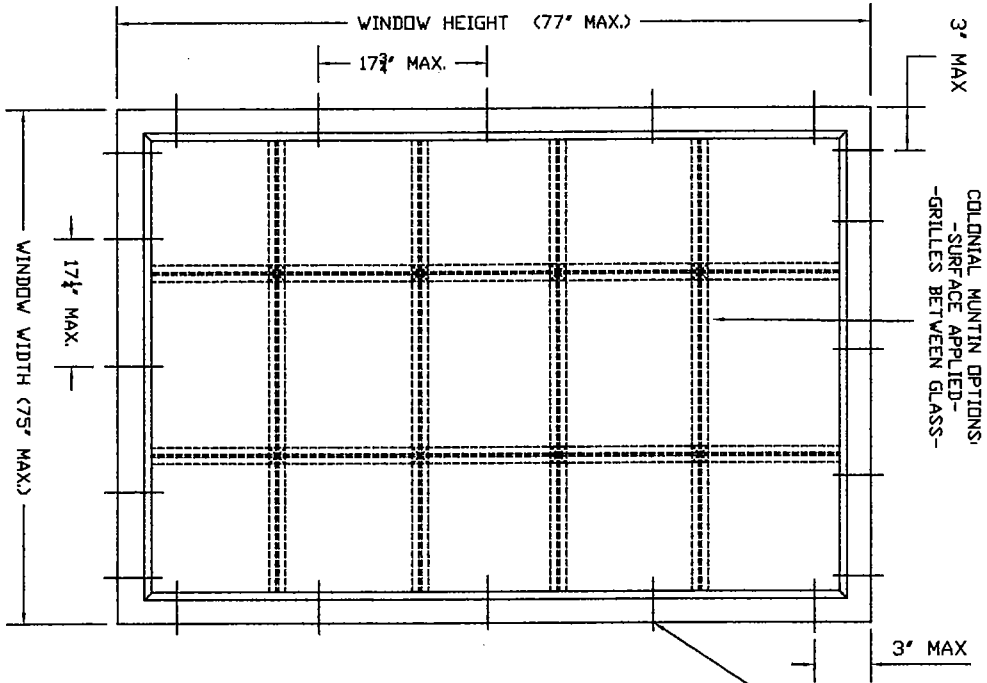
***** Note *****

Date: 03/02/02

Scale: N.T.S.
Drawn By: D.S.K.



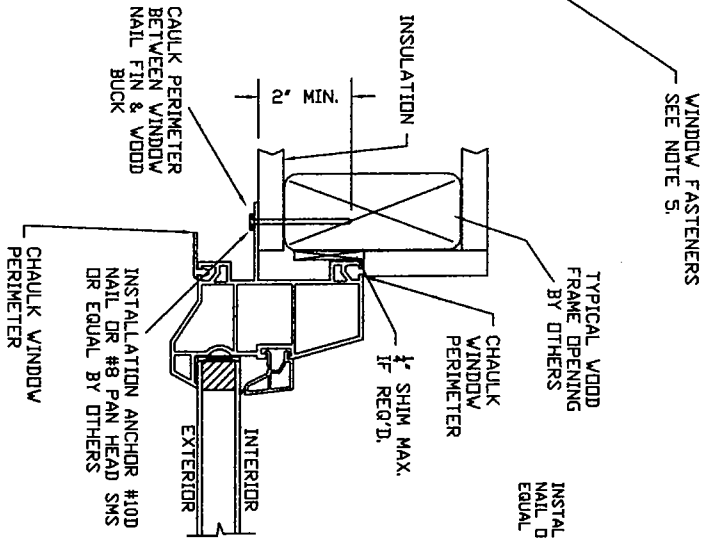
3' MAX
 COLONIAL MUNTIN OPTIONS
 -SURFACE APPLIED-
 -GRILLES BETWEEN GLASS-



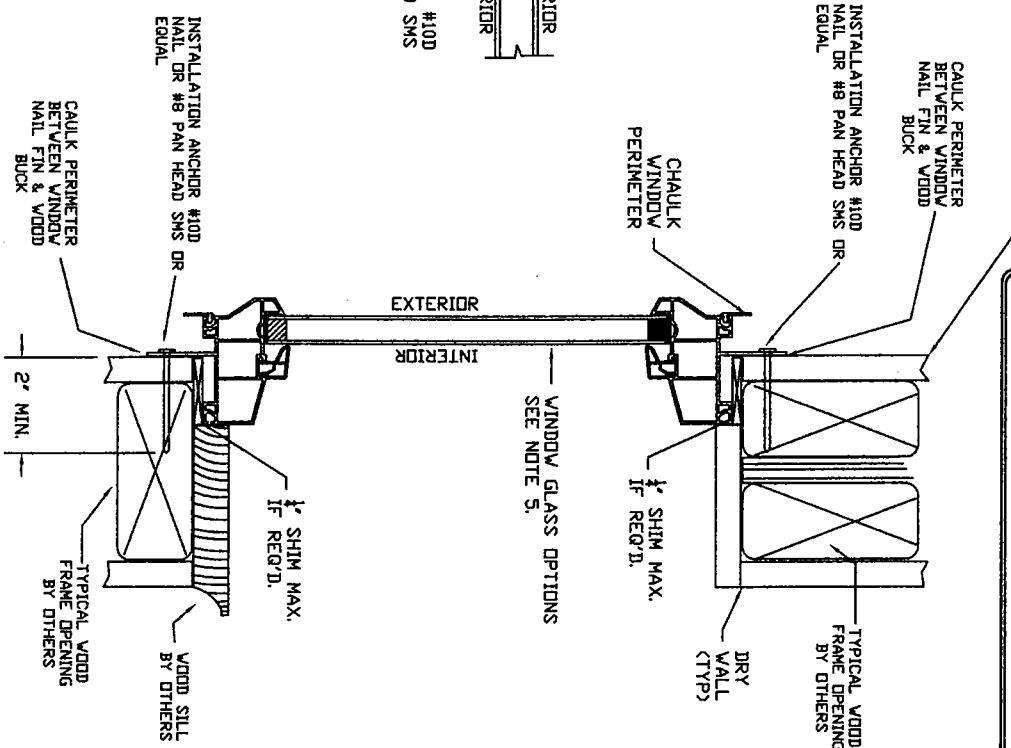
TYPICAL ELEVATION W/FASTENER LOCATIONS

- WINDOW INSTALLATION NOTES:
1. DESIGN STRUCTURAL LOAD/RATING: 35 PSF/F-R35 & 60 PSF/F-R60
 2. CERTIFIED TEST REPORT: CILA-785W-1 & CILA-785W
 3. FRAME: PVC/FIN TYP
 4. GLASS: INSULATED
 5. FASTENERS: 304 SS OR COATED FOR CORROSION RESISTANCE.
 6. GLAZING: INTERIOR GLAZED W/ADHESIVE BACK-BEDDING & SNAP IN EXTRUDED RIGID PVC GLAZE BEAD
 7. WINDOW SEALANTS: COMPLY W/AMA 800-92 OR EQUIVALENT.
 8. STATE & LOCAL BLDG. CODES' CONFIRMANCE IS SOLE RESPONSIBILITY OF THE ARCHITECT, BLDG. OWNER OR CONTRACTOR.

TYPICAL JAMB SECTION



WOOD FRAME INSTALLATION



ELEVATION SECTION (TYP)

PRODUCT SERIES:
7600 PICTURE WINDOW
 WOOD FRAME INSTALLATION

SEASONSIELD INC.
 DRAWING NUMBER
76W

SHEET NUMBER
1 OF **1**

Engineering Approval/si
 Douglas Preston, PE
 FL License No. 53291
 11531 Welton Dr.
 Riverview, FL 33569 (813)689,9418

PE certification is for structural loads only.
 ***** Note *****

Date: 03/02/02
 Scale: N.T.S.
 Drawn by: N.G.H.

Douglas Preston
 3-24-3

