

**EXTERIOR ELEVATION  
DOUBLE HUNG WINDOW**

SCALE: 3/4"=1'-0"

NIAL FIN MOUNT CONDITION IS SHOWN IN THIS ELEVATION. FOR OTHER MOUNTING OPTIONS (CLIP MOUNT), SEE DETAILS ON SHEET 2.

ALLOWABLE DESIGN PRESSURE	
POSITIVE	NEGATIVE
35 PSF	35 PSF

IF CLIP MOUNTED, THE CLIPS MUST BE PLACED WITHIN 6" OF THE FRAME CORNERS AND SPACED MAX. 16" O.C.

**MULLION NOTE:**  
THESE WINDOWS MAY BE MULLED TOGETHER PROVIDING THEY ARE DONE SO PER MULLION DRAWING NO. 1110 BY W. W. SCHAEFER ENGINEERING & CONSULTING, P.A. OR THE MULLIONS USED ARE CERTIFIED BY A REGISTERED ENGINEER.

**CORNER CONSTRUCTION:**  
1. ALL CORNERS ARE MITERED AND FULLY WELDED

**GENERAL NOTES**

1. THESE WINDOW SYSTEMS HAVE BEEN TESTED, ANALYZED AND APPROVED FOR DESIGN PRESSURES NOT TO EXCEED THOSE SHOWN IN THE "ALLOWABLE DESIGN LOADS" TABLE.
2. BUCKING, OPENINGS & BUCKING FASTENERS MUST BE PROPERLY DESIGNED & INSTALLED TO TRANSFER WIND LOADS TO THE STRUCTURE.
3. ALL HARDWARE & FASTENERS SHALL BE IN ACCORDANCE WITH THESE DRAWINGS & MAY NOT VARY UNLESS SPECIFICALLY MENTIONED ON THE DRAWINGS.
4. THESE WINDOW SYSTEMS HAVE BEEN DESIGNED IN ACCORDANCE WITH & MEET THE REQUIREMENTS OF THE FLORIDA BUILDING CODE (F.B.C.).
5. THESE WINDOWS HAVE BEEN TESTED IN ACCORDANCE WITH AAMA, NWWDA 101 AND I.S. 2-97 "VOLUNTARY SPECIFICATIONS FOR ALUMINUM, VINYL (PVC) AND WOOD WINDOWS AND GLASS DOORS." REFERENCE TEST REPORT NO.'S 06-30252.01, 06-30336.01 OR 06-30445.01 BY ARCHITECTURAL TESTING, INC.
6. TESTS COMPLETED INCLUDE AIR INFILTRATION PER ASTM E283-91, WATER RESISTANCE PER ASTM E547-96, UNIFORM LOAD STRUCTURAL PER ASTM 330-96 AND FORCED ENTRY PER ASTM F 588-97.
7. THESE WINDOW SYSTEMS ARE NON-IMPACT RATED AND MUST BE SHUTTERED WHERE REQUIRED BY CODE.
8. ALL WINDOW SIZES AND CONDITIONS SPECIFIED HAVE BEEN VERIFIED WITH THE TEST REPORTS. ALL COMPONENTS HAVE BEEN CHECKED, INCLUDING GLASS TO ASTM E-1300-00, TO SUPPORT THE LOADS AS SPECIFIED IN THE LOAD TABLE.
9. GLASS USED WITH ALL TESTED UNITS WAS 3/4" I.G. WITH 1/8" ANNEALED GLASS PANES, AND 3/4" I.G. WITH 1/8" TEMPERED GLASS PANES. NOTE THAT WHEN ANNEALED IS USED, ALUMINUM REINFORCEMENT IS REQUIRED IN SIDE STILES OF EACH VENT.

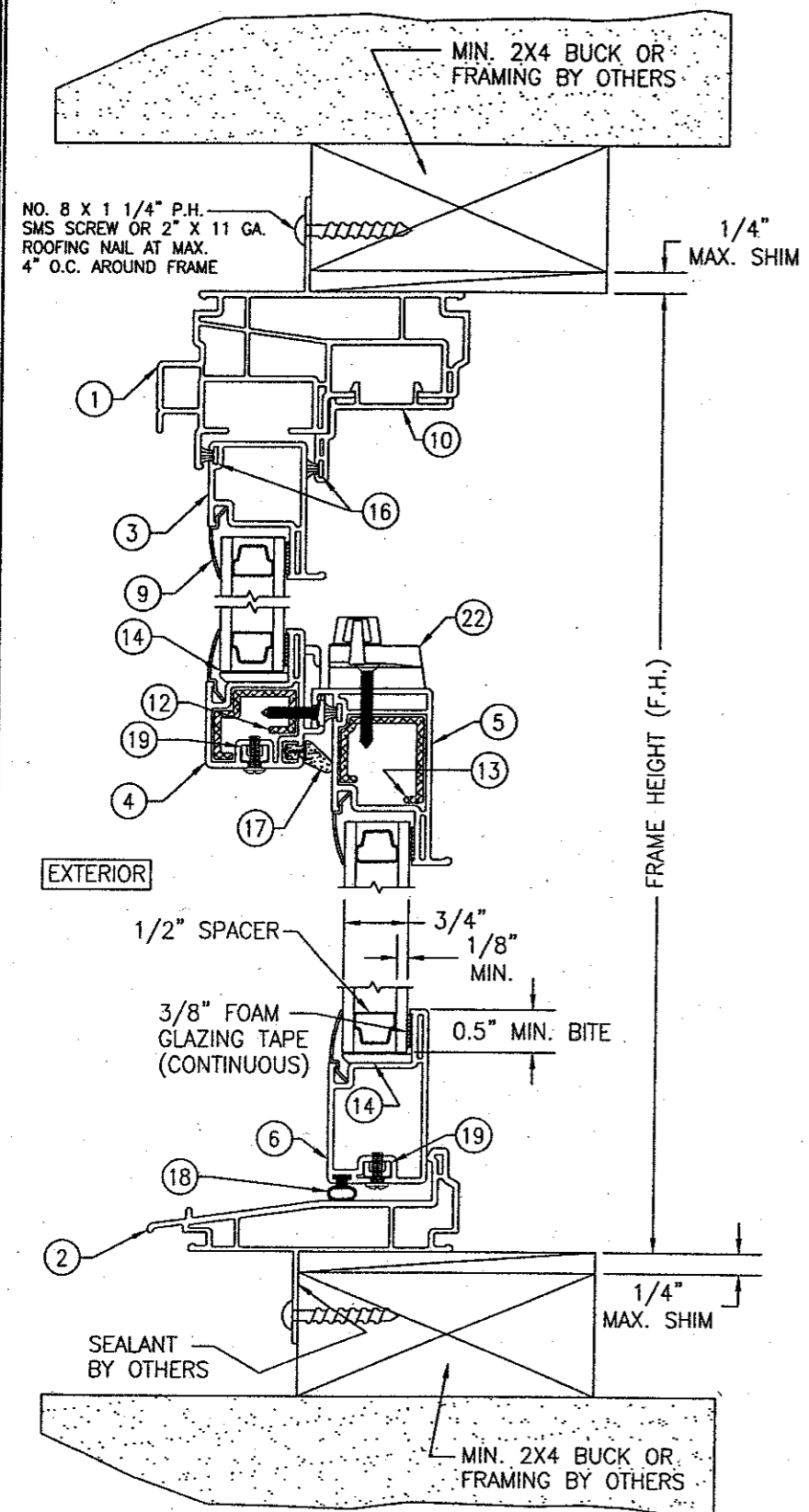
**FRAME ANCHOR REQUIREMENTS TABLE**

FIN SCREWS			
OPENING TYPE (SUBSTRATE)	JAMB TO OPENING FASTENER TYPE	MINIMUM EMBEDMENT	MINIMUM EDGE DIST.
2X_ WOOD FRAME OR BUCK	2" X 11GA. ROOFING NAILS	1 7/8"	1/2"
2X_ WOOD FRAME OR BUCK	NO. 8 SMS SCREW	1 1/8"	1/2"
* SHEAR/CLIP SCREWS			
2X_ WOOD FRAME OR BUCK	NO. 8 SMS SCREW	1 1/4"	3/4"
CMU/CONCRETE	(1) 3/16" CONCRETE SCREWS	1 1/4"	2"

(1) CONCRETE SCREWS SHALL BE ITW RAMSET/RED HEAD OR ELCO TAPCONS, HILTI KWIK-CON II OR POWERS RAWL TAPPER. (HARDENED STEEL OR S.S.)

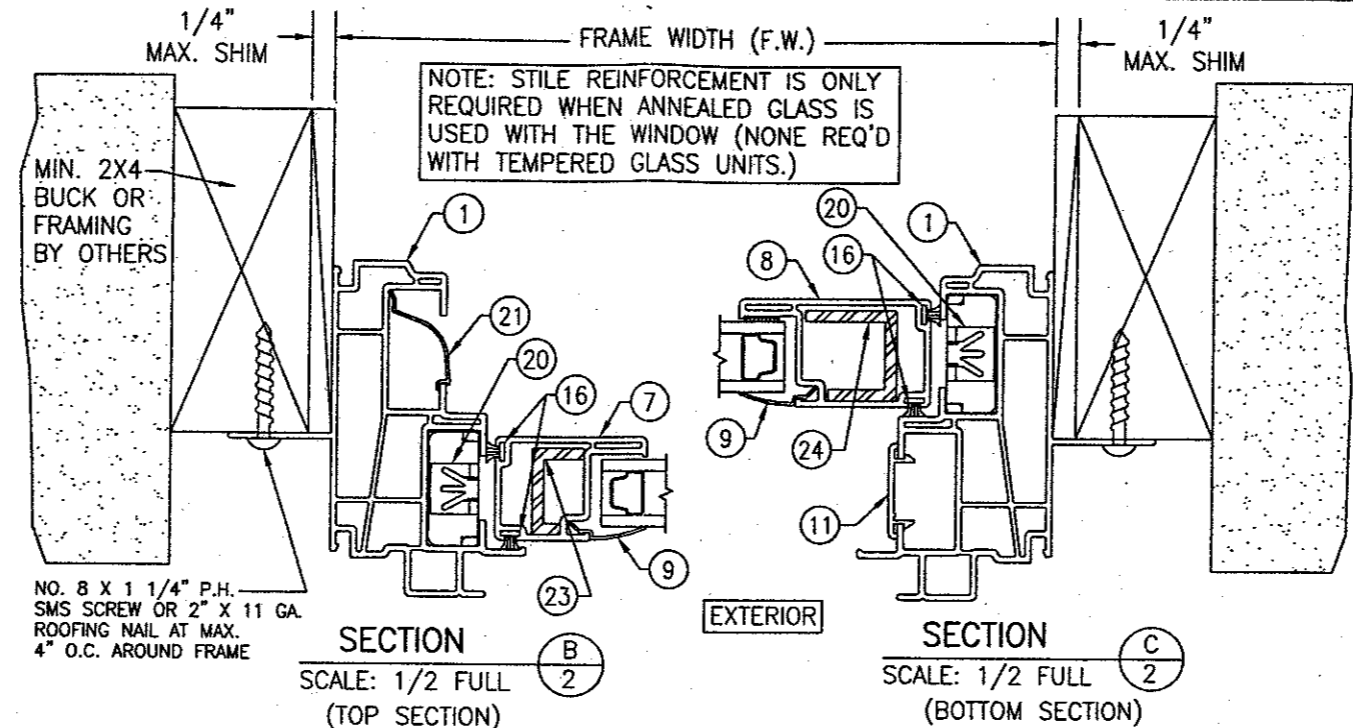
\* ANCHOR NOTE: FRAME MAY BE EITHER FIN OR CLIP MOUNTED TO THE OPENING. WHEN FIN MOUNTED, THE ATTACHMENT OF THE FIN SHALL BE TO A MIN. 2X4 NO. 3 SOUTHERN PINE WOOD MEMBER (FRAMING OR BUCK). WHEN CLIP MOUNTED, THE ATTACHMENT MAY BE TO A MIN NO. 3 SOUTHERN PINE BUCK OR FRAMING MEMBER OR DIRECTLY TO A BLOCK/CONCRETE WALL (USE NO. 8 SCREWS WHEN TO WOOD AND 3/16" CONCRETE SCREWS WHEN TO BLOCK/CONCRETE). IF THE OPENING CONDITIONS REQUIRE THAT A SPACER BE USED BETWEEN THE FRAME AND SUPPORTING SUBSTRATE, THE SPACER MUST BE A CONTINUOUS WOOD MEMBER AND THE WINDOW FRAME MUST BE CLIP MOUNTED TO THE OPENING WITH THE CLIP SCREWS RUNNING THROUGH THE SPACER AND INTO THE SUPPORTING SUBSTRATE.

DRAWN BY: W.W.S.	CHECKED BY: W.W.S.
PLOT: 1-16	DATE: 07/01/02
NO.	DATE
BY	
REVISION DESCRIPTION	
DRAWING TITLE VINYL DOUBLE HUNG (VDH) NON-IMPACT WINDOWS	
MANUFACTURER HURD MILLWORK CO., INC. 575 S. WHELEN AVE. MEDFORD, WI 54451 800-433-4873	
CONSULTANTS W. W. SCHAEFER ENGINEERING & CONSULTING, P.A. 600 SANDTREE DRIVE, SUITE 203B PALM BEACH GARDENS, FL 33403 PHONE: 561-775-4902 FAX: 561-775-4903	
DRAWING NO. 1122	
REV.	
SHEET NO. 1 OF 3	



SECTION A  
SCALE: 1/2 FULL

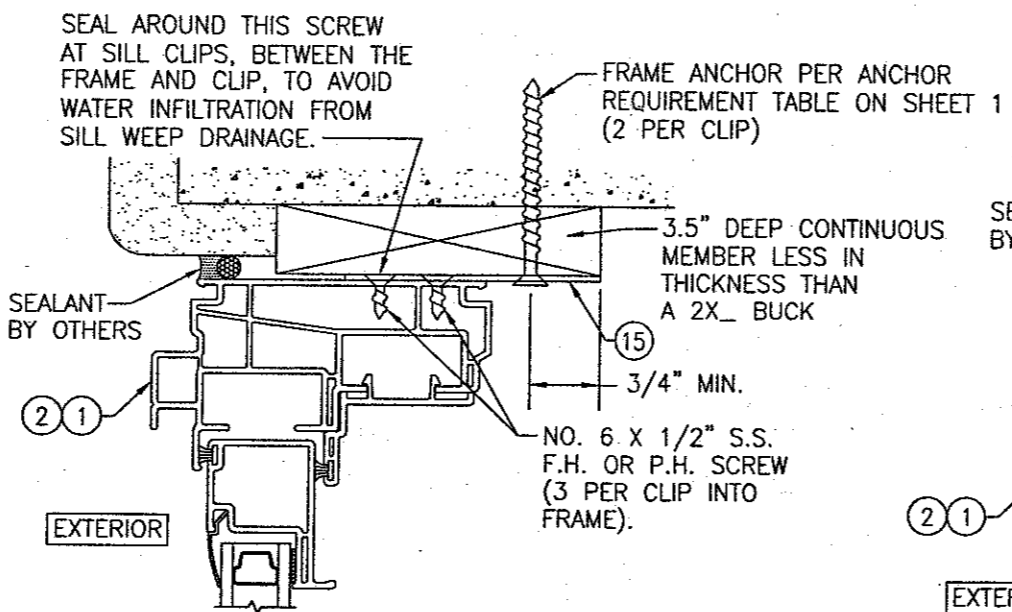
NOTE: FINISHES ARE TO BE AS REQ'D BY OTHERS.



SECTION B  
SCALE: 1/2 FULL  
(TOP SECTION)

SECTION C  
SCALE: 1/2 FULL  
(BOTTOM SECTION)

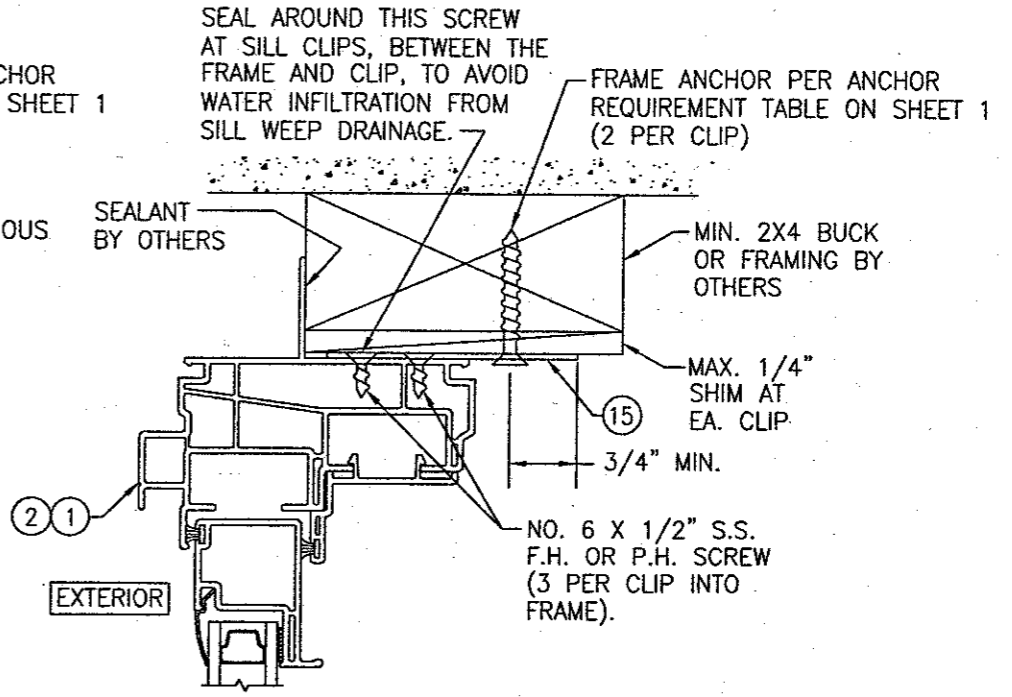
NOTE: STILE REINFORCEMENT IS ONLY REQUIRED WHEN ANNEALED GLASS IS USED WITH THE WINDOW (NONE REQ'D WITH TEMPERED GLASS UNITS.)



**OPTIONAL DIRECT MOUNT DETAIL**

HEAD JAMB SHOWN; OTHER JAMBS SAME  
SEE SECTIONS FOR DETAIL NOT SHOWN  
THIS DETAIL ALSO APPLIES FOR FRAMED OR BUCKED OPENINGS WHEN A SPACER SECTION MUST BE USED TO BUILD OUT THE FRAMED/BUCKED OPENING.

NOTE: WHEN CLIP MOUNTED, THE FIN MAY BE REMOVED.

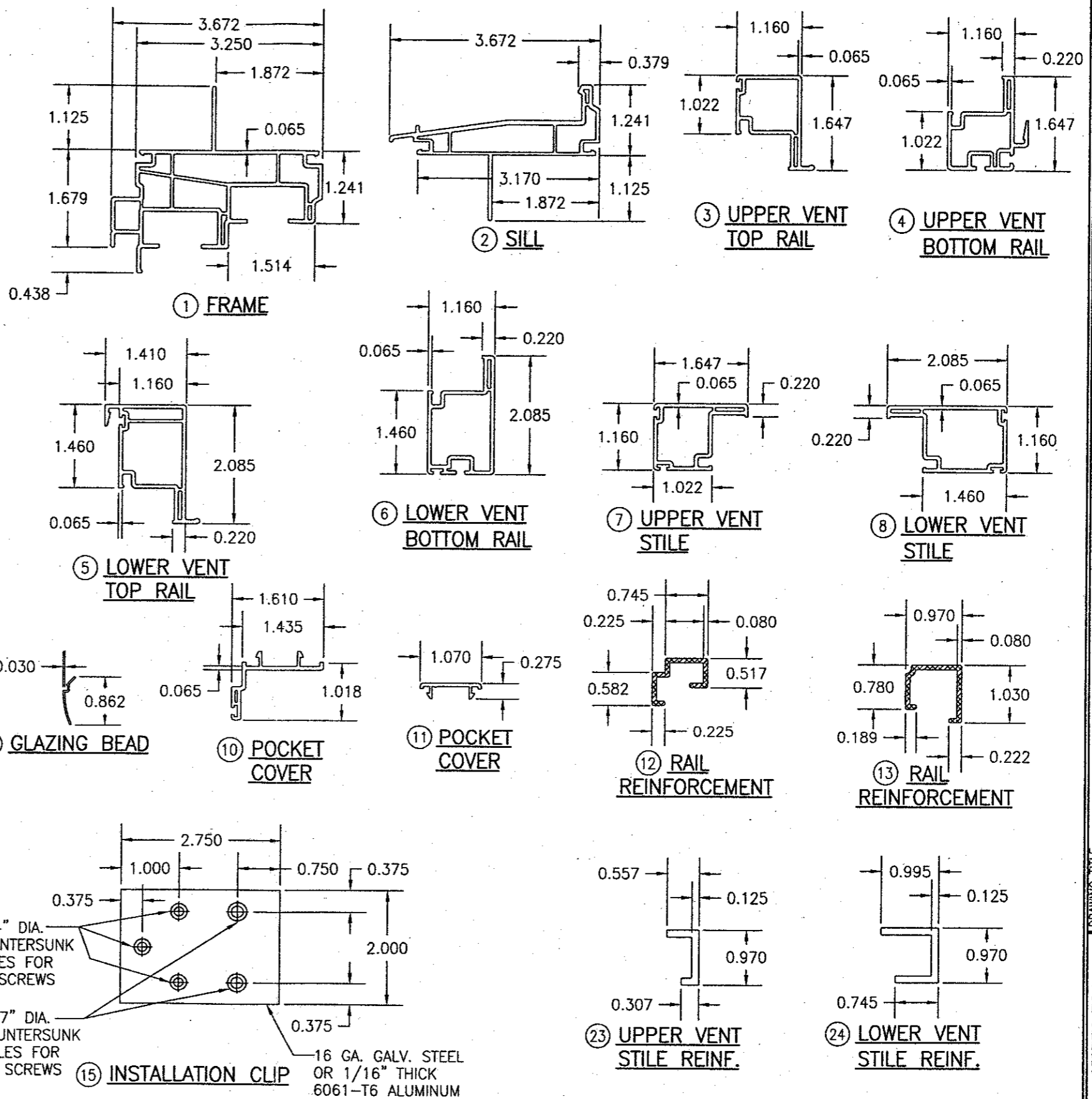


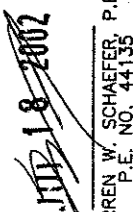
**OPTIONAL CLIP MOUNT DETAIL**

HEAD JAMB SHOWN; OTHER JAMBS SAME  
SEE SECTIONS FOR DETAIL NOT SHOWN

DRAWN BY: W.W.S.	CHECKED BY: W.W.S.
PLOT: 1-2	DATE: 07/01/02
NO.	REVISION DESCRIPTION
DATE	BY
DRAWING TITLE <b>VINYL DOUBLE HUNG (VDH) NON-IMPACT WINDOWS</b>	
MANUFACTURER <b>HURD MILLWORK CO., INC.</b>	575 S. WHELEN AVE. MEDFORD, WI 54451 800-433-4873
CONSULTANTS <b>W. W. SCHAEFER ENGINEERING &amp; CONSULTING, P.A.</b>	800 SANDTREE DRIVE, SUITE 203B PALM BEACH GARDENS, FL 33403 PHONE: 561-775-4902 FAX: 561-775-4903
CERTIFICATION <b>JWA 1-8-2002</b>	WARREN W. SCHAEFER, P.E. P.E. NO. 44135
DRAWING NO. <b>1122</b>	REV.
SHEET NO. <b>2</b>	OF <b>3</b>

ITEM #	PART	ITEM DESCRIPTION	MANUFACTURER/NOTES
PARTS			
1	7267	FRAME	PVC
2	7269	SILL	PVC
3	7539	UPPER VENT TOP RAIL	PVC
4	7270	UPPER VENT BOTTOM RAIL	PVC
5	7271	LOWER VENT TOP RAIL	PVC
6	7274	LOWER VENT BOTTOM RAIL	PVC
7	7251	UPPER VENT STILE	PVC
8	7273	LOWER VENT STILE	PVC
9	6177	GLAZING BEAD	PVC
10	7268	POCKET COVER (HEAD)	PVC
11	7057	POCKET COVER (SILL)	PVC
12	7270.1	UPPER VENT RAIL REINFORCEMENT	6063-T5 ALUMINUM
13	7271.1	LOWER VENT RAIL REINFORCEMENT	6063-T5 ALUMINUM
14	6555	GLASS SETTING BLOCK	PVC
15	-	INSTALLATION CLIP (WITHIN 6" OF CORNERS & MAX. 16" O.C.)	16 GA. GALVANIZED STEEL OR 1/16" 6061-T6 ALUMINUM
SEALS			
16	18725058	WEATHER SEAL	AMESBURY 18758GYQB
17	52307	BULB WEATHERSTRIP	AMESBURY 52307
18	32015	BULB WEATHER SEAL	AMESBURY XC-1081
HARDWARE & MISCELLANEOUS			
19	265A	PIVOT BAR	BSI
20	728C	PIVOT SHOE	BSI
21	6979	BALANCE COVER	PVC
22	-	CAM LOCK	TRUTH #17.23
23	-	UPPER VENT STILE REINFORCEMENT	6063-T5 ALUMINUM
24	-	LOWER VENT STILE REINFORCEMENT	6063-T5 ALUMINUM



DRAWN BY: W.W.S.		CHECKED BY: W.W.S.	
PLOT: 1=2		DATE: 07/01/02	
NO.	REVISION DESCRIPTION	DATE	BY
DRAWING TITLE: VINYL DOUBLE HUNG (VDH) NON-IMPACT WINDOWS			
CONSULTANTS: W. W. SCHAEFER ENGINEERING & CONSULTING, P.A. 600 SANDTREE DRIVE, SUITE 203B PALM BEACH GARDENS, FL 33403 PHONE: 561-775-4902 FAX: 561-775-4903		MANUFACTURER: HURD MILLWORK CO., INC. 575 S. WHELEN AVE. MEDFORD, WI 54451 800-433-4873	
CERTIFICATION:  WARREN W. SCHAEFER, P.E. P.E. NO. 44133			
DRAWING NO. 1122		REV.	
SHEET NO. 3		OF 3	