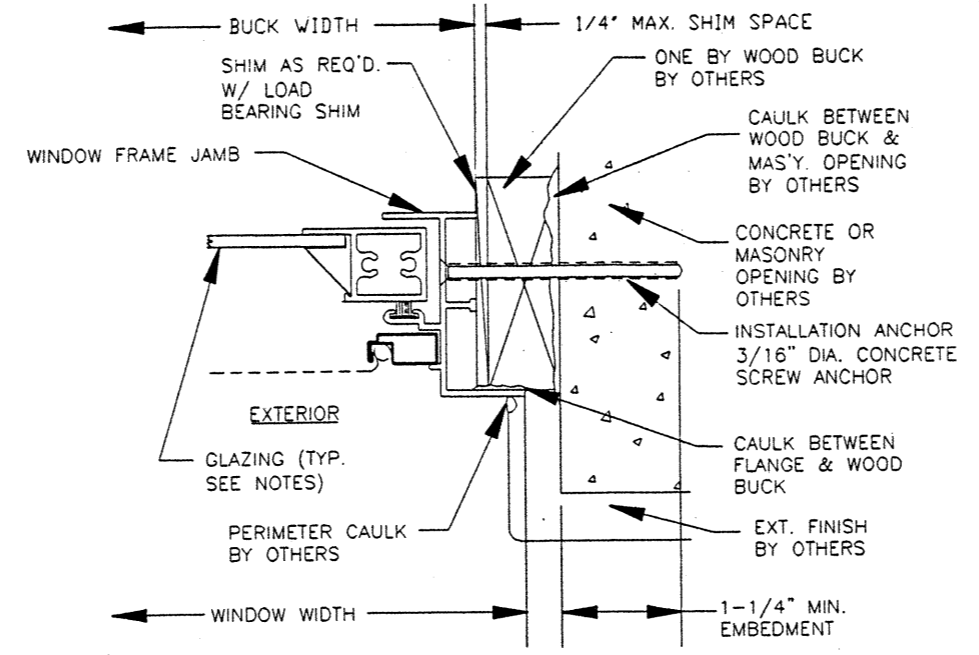
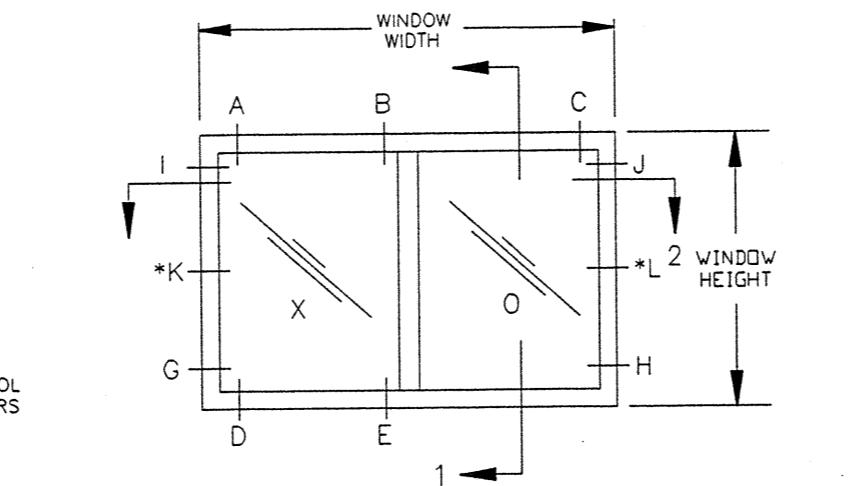


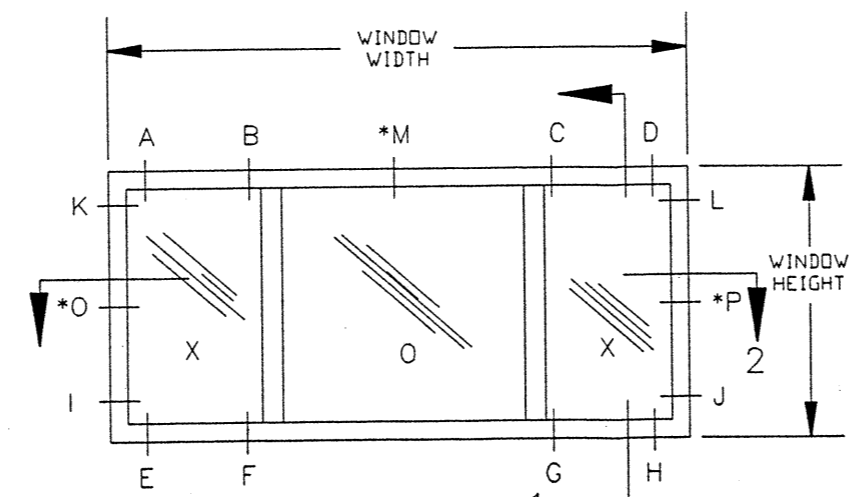
SECTION 1



SECTION 2



OX & XO ELEVATION VIEWED FROM EXTERIOR



XOX ELEVATION VIEWED FROM EXTERIOR

ANCHOR LOCATION CHART								
CALL SIZE	BUCK SIZE	LOCATION IN HEAD			LOCATION IN JAMBS			
		UP TO 35 PSF	36 PSF TO 55 PSF	56 PSF TO 70 PSF	UP TO 35 PSF	36 PSF TO 55 PSF	56 PSF TO 70 PSF	
2121 XO, OX	24 X 24	B,E	B,E	B,E	K,L	K,L	K,L	
2131 XO, OX	24 X 36	B,E	B,E	B,E	K,L	K,L	K,L	
2141 XO, OX	24 X 48	B,E	B,E	B,E	K,L	K,L	K,L	
2151 XO, OX	24 X 60	B,E	B,E	B,E	K,L	K,L	G,H,I,J	
3121 XO, OX	36 X 24	B,E	B,E	B,E	K,L	K,L	K,L	
3131 XO, OX	36 X 36	B,E	B,E	B,E	K,L	K,L	K,L	
3141 XO, OX	36 X 48	B,E	B,E	B,E	K,L	K,L	G,H,I,J	
3151 XO, OX	36 X 60	B,E	B,E	B,E	K,L	G,H,I,J	G,H,I,J	
4121 XO, OX	48 X 24	B,E	B,E	B,E	K,L	K,L	K,L	
4131 XO, OX	48 X 36	B,E	B,E	A,B,C,D,E	K,L	K,L	K,L	
4141 XO, OX	48 X 48	B,E	B,E	A,B,C,D,E	K,L	K,L	G,H,I,J	
4151 XO, OX	48 X 60	B,E	A,B,C,D,E	A,B,C,D,E	K,L	G,H,I,J	G,H,I,J	
5121 XO, OX	60 X 24	B,E	B,E	A,B,C,D,E	K,L	K,L	K,L	
5131 XO, OX	60 X 36	B,E	A,B,C,D,E	A,B,C,D,E	K,L	K,L	K,L	
5141 XO, OX	60 X 48	B,E	A,B,C,D,E	A,B,C,D,E	K,L	K,L	G,H,I,J	
5151 XO, OX	60 X 60	B,E	A,B,C,D,E	A,B,C,D,E	K,L	G,H,I,J	G,H,I,J	
6121 XO, OX	72 X 24	B,E	A,B,C,D,E	A,B,C,D,E	K,L	K,L	K,L	
6131 XO, OX	72 X 36	A,B,C,D,E	A,B,C,D,E	A,B,C,D,E	K,L	K,L	K,L	
6141 XO, OX	72 X 48	A,B,C,D,E	A,B,C,D,E	A,B,C,D,E	K,L	K,L	G,H,I,J	
6151 XO, OX	72 X 60	A,B,C,D,E	A,B,C,D,E	A,B,C,D,E	K,L	G,H,I,J	G,H,I,J	
6121-C XOX	72 X 24	B,C,F,G	B,C,F,G	B,C,F,G	O,P	O,P	O,P	
6131-C XOX	72 X 36	B,C,F,G	B,C,F,G	B,C,F,G	O,P	O,P	O,P	
6141-C XOX	72 X 48	B,C,F,G	B,C,F,G	B,C,F,G,M	O,P	O,P	I,J,K,L	
6151-C XOX	72 X 60	B,C,F,G	B,C,F,G	B,C,F,G,M	O,P	I,J,K,L	I,J,K,L	
7121-C XOX	84 X 24	B,C,F,G	B,C,F,G	B,C,F,G	O,P	O,P	O,P	
7131-C XOX	84 X 36	B,C,F,G	B,C,F,G	B,C,F,G,M	O,P	O,P	O,P	
7141-C XOX	84 X 48	B,C,F,G	B,C,F,G	B,C,F,G,M	O,P	O,P	I,J,K,L	
7151-C XOX	84 X 60	B,C,F,G	B,C,F,G,M	A,B,C,D,E,F,G,H	O,P	I,J,K,L	I,J,K,L	
8121-C XOX	96 X 24	B,C,F,G	B,C,F,G	B,C,F,G,M	O,P	O,P	O,P	
8131-C XOX	96 X 36	B,C,F,G	B,C,F,G,M	B,C,F,G,M	O,P	O,P	O,P	
8141-C XOX	96 X 48	B,C,F,G	B,C,F,G,M	A,B,C,D,E,F,G,H	O,P	O,P	I,J,K,L	
8151-C XOX	96 X 60	B,C,F,G	A,B,C,D,E,F,G,H	A,B,C,D,E,F,G,H	O,P	I,J,K,L	I,J,K,L	
9121-C XOX	108 X 24	B,C,F,G	B,C,F,G	B,C,F,G,M	O,P	O,P	O,P	
9131-C XOX	108 X 36	B,C,F,G	B,C,F,G,M	A,B,C,D,E,F,G,H	O,P	O,P	O,P	
9141-C XOX	108 X 48	B,C,F,G	A,B,C,D,E,F,G,H	A,B,C,D,E,F,G,H	O,P	O,P	I,J,K,L	
9151-C XOX	108 X 60	B,C,F,G,M	A,B,C,D,E,F,G,H	A,B,C,D,E,F,G,H,M	O,P	I,J,K,L	I,J,K,L	

- NOTES:
- 1) SHIM AS REQ'D. AT EACH INSTALLATION ANCHOR W/ LOAD BEARING SHIM. MAX. ALLOWABLE SHIM STACK TO BE 1/4". USE SHIMS WHERE SPACE GREATER THAN 1/16" IS PRESENT.
 - 2) WINDOW FRAME MATERIAL: ALUMINUM ALLOY 6063.
 - 3) 3/16" CONCRETE SCREW ANCHOR MUST BE OF SUFFICIENT LTH. TO ACHIEVE MIN. EMBEDMENT OF 1-1/4" INTO MASONRY OR CONCRETE. (APPROX. 2-3/4")
 - 4) CAULK BEHIND WINDOW FLANGE WITH DUO-SILL ADHESIVE CAULK SEALANT OR APPROVED EQUAL. APPLICATION OF DUO-SILL ADHESIVE CAULK SEALANT MUST COMPLY WITH SEALANT MANUFACTURER'S RECOMMENDATIONS.
 - 5) USE LATEX CAULK OR EQUIVALENT FOR PERIMETER SEAL AROUND EXTERIOR OF WINDOW FLANGE BY OTHERS.
 - 6) IF EXACT WINDOW SIZE IS NOT LISTED IN ANCHOR LOCATION CHART, USE ANCHOR QUANTITY LISTED WITH NEXT LARGER SIZE, FOR THE APPROPRIATE DESIGN PRESSURE REQ'D.
 - 7) GLASS THICKNESS MAY VARY PER THE REQUIREMENTS OF ASTM E1300 GLASS CHARTS. SINGLE GLAZING IS SHOWN, INSULATING GLASS ALSO QUALIFIED.
 - 8) LETTER DESIGNATIONS ON THE ANCHOR LOCATION CHART INDICATE WHERE CONCRETE SCREW ANCHORS TO BE INSTALLED WHEN USING THE EXTERIOR ELEVATION AS A KEY.
 - 9) NOT ALL ANCHOR LOCATIONS SHOWN ON ELEVATION ARE APPLIED BY FACTORY IN ALL SIZES. ALL FACTORY APPLIED HOLES NOT DESIGNATED FOR CONCRETE SCREW ANCHOR SHOULD BE FILLED WITH #8 SCREWS OF SUFFICIENT LENGTH TO PROVIDE MIN. 5/8 IN. EMBEDMENT INTO WOOD BUCK.
 - 10) KINCO, LTD'S. RW-4 SERIES WINDOW IS SHOWN. INSTALLATION DETAILS ALSO APPLY TO KINCO'S RW-5, HP & XHP SERIES WINDOWS.

KINCO, LTD.
JACKSONVILLE, FLORIDA

TITLE: SERIES RW HORIZONTAL ROLLER W/ONE BY WOOD BUCK
1 PC. SILL OX / XO & XOX INSTALLATION DRAWING

ENGINEER: MANUEL MARTINEZ	DRN: BB	DATE: 12/06/01
DISCIPLINE: CIVIL	SCALE: N.T.S.	DWG. NO: KJAX-0080
FL. REG. NO: 47182	REV. LETTER:	SHEET: 1 OF 1