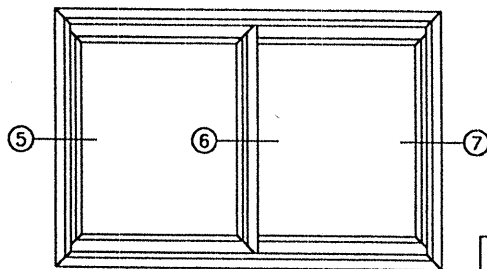


LAYER NOTES:  
 HARDWARE & PARTS IDENTIFICATION ON  
 "HDWE" LAYER.  
 FORMULAS ON "1" LAYER.  
 SITELINE DIMENSIONS ON "DIMS" LAYER.



EXTERIOR ELEVATION

FOR HEIGHT DETAILS &  
 FORMULAS, SEE DRAWING  
 P6002HGT.

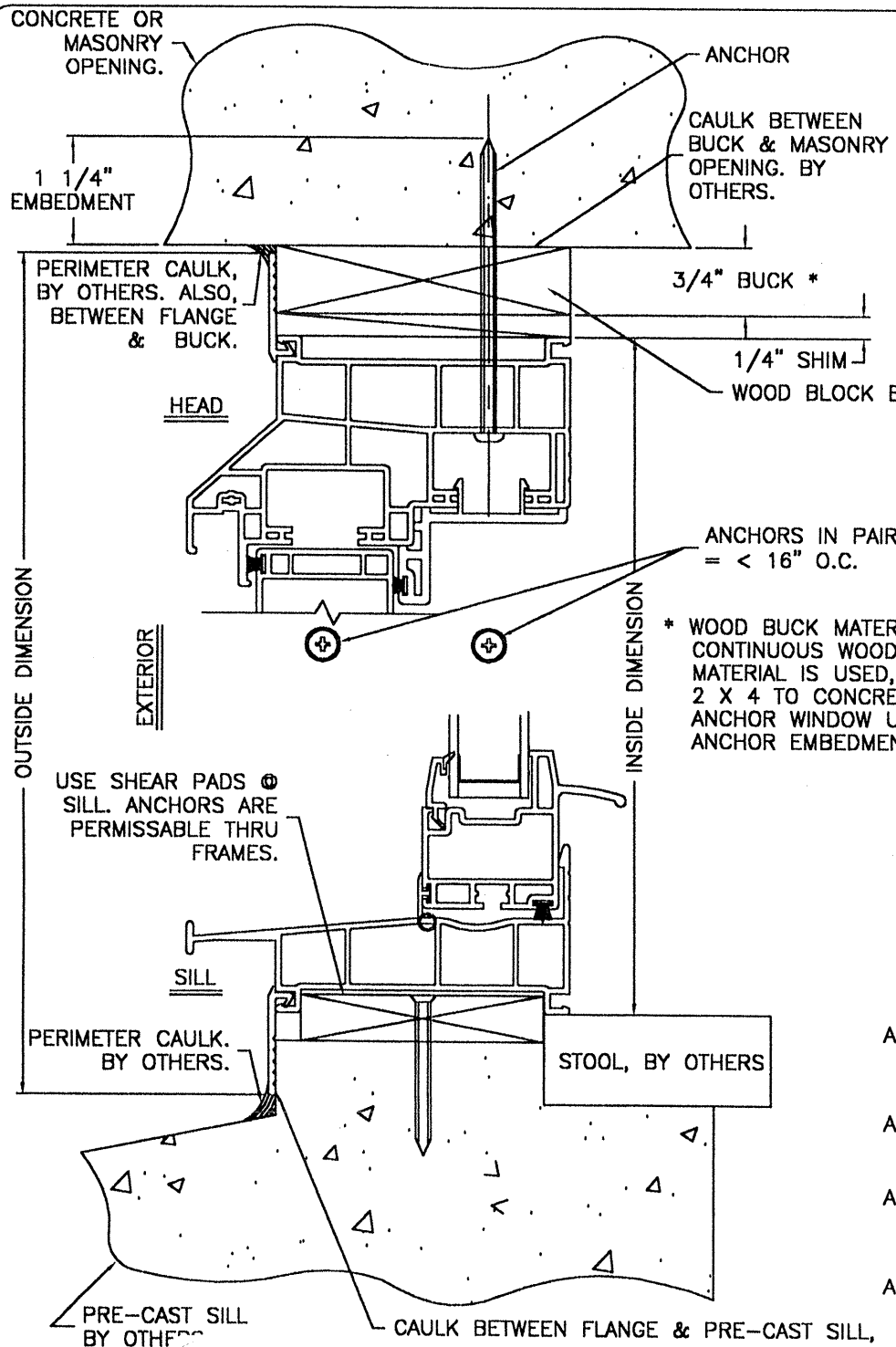
G	19003 WAS A FULL LENGTH OF 18044 /ECN #183. VSN 6/30/98
F	CHANGED METHOD OF LOCKING STAT. PANEL PER ECN #186 VSN 3/25/98
E	CHANGED SCREEN LATCH STYLE PER ECN #175. VSN 10/9/97

GORELL ENTERPRISES, INC. 1380 Wayne Ave Indiana, Pa. 15701	
SCALE FULL	REVISIONS
DATE 2/16/95	D UPDATED DRAWING WITH NEW FRAME PROFILES. VSN 9/26/96
DWN VSN	C 2NDARY & PRIMARY LOCK STYLE UP-GRADE ECN'S 131 & 142. 8/14/96
	B 2NDARY LOCK KEEPER MAT'L & SCR. PILE CHANGE CN #82. VSN 2/21/96
	A ADDED SECONDARY LOCK & KEEPER PER CN #75. VSN 5/10/95
TITLE	DWG. NO.
PATIO DOOR WIDTH ASSEMBLY P6002WTHA	

L	ADDED SHIM & TIE BAR PER ECN #282 DN 4/24/02
K	57258 WAS 46003 PER ECN #278 DN 4/2/02
J	48101 WAS 48031 PER ECN #265. VSN 12/3/01
H	CHANGED FROM ALUM. TO VINYL SCR. ADAPTER /ECN #209. VSN 4/30/99

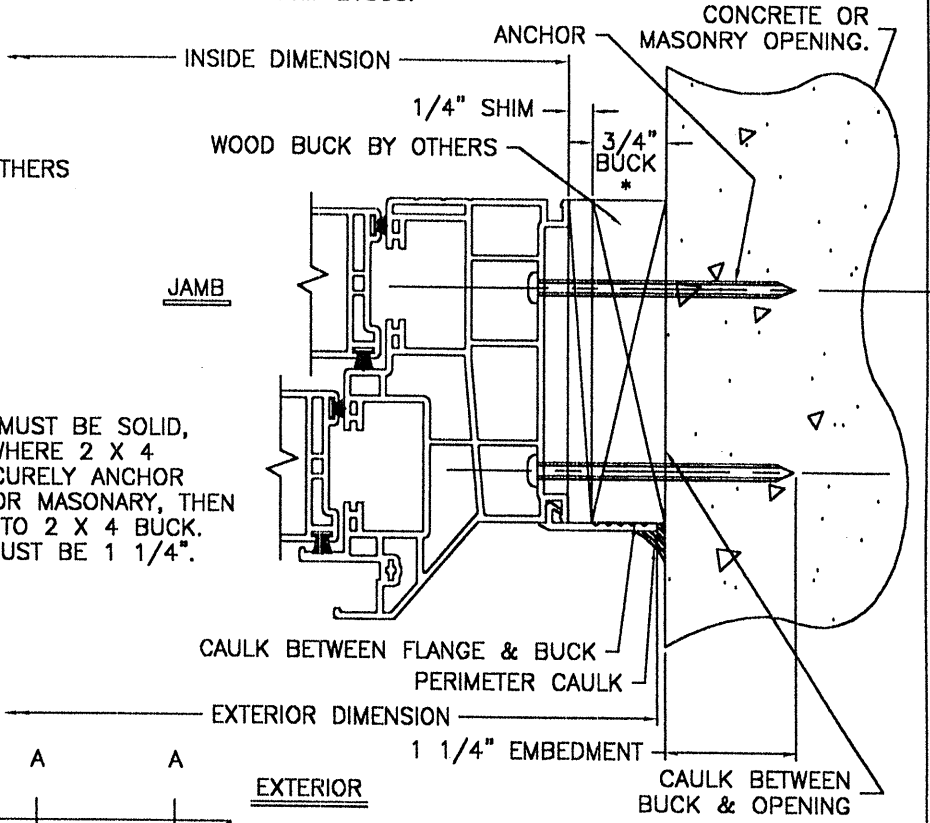
**Gorell**

CUSTOM WINDOWS & DOORS  
 GORELL ENTERPRISES, INC.  
 1380 WAYNE AVENUE INDIANA PA 15701

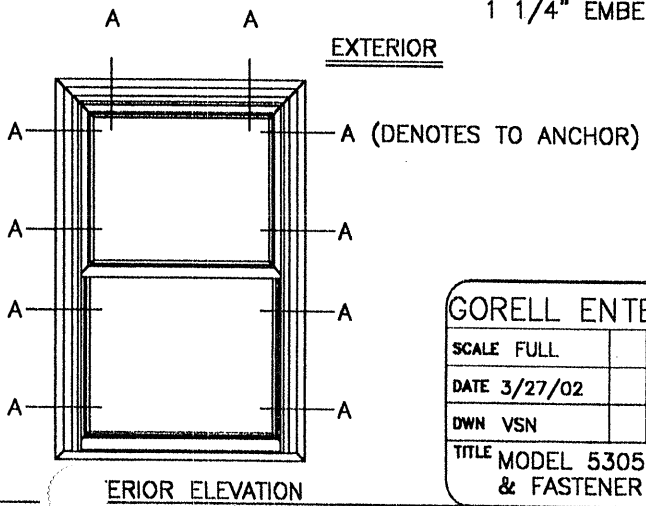


**NOTES:**

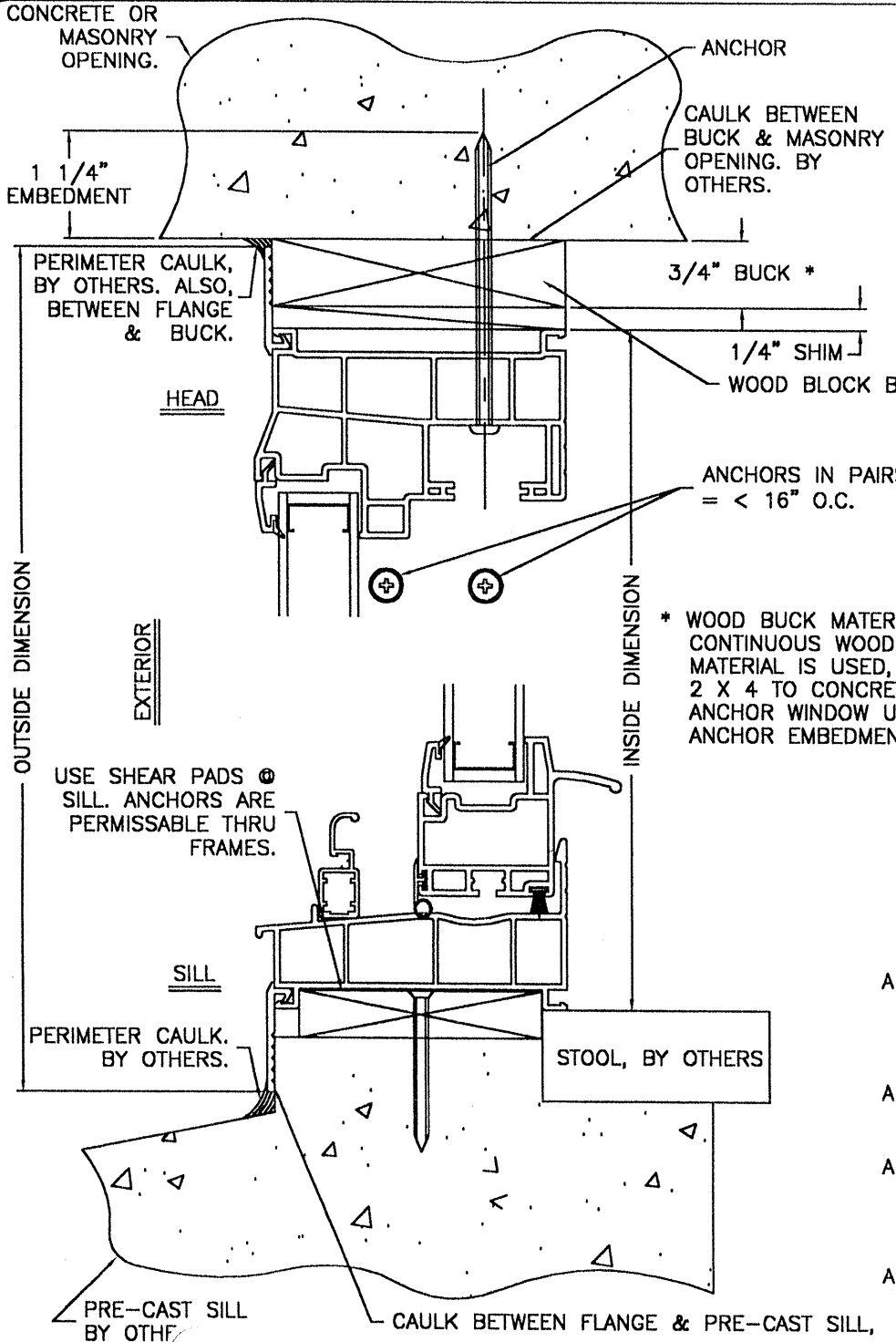
- 1.) SHIM AS REQUIRED AT EACH INSTALLATION ANCHOR AS SHOWN, WITH LOAD BEARING SHIM.
- 2.) ANCHOR MUST BE OF SUFFICIENT LENGTH TO PROVIDE 1 1/4" EMBEDMENT INTO MASONRY OR CONCRETE.
- 3.) CAULK BETWEEN WINDOW FLANGES & BUCK AND CAULK FULL PERIMETER OF WINDOW.
- 4.) ANCHOR SPACING SHALL NOT EXCEED 16" OC.
- 5.) GLASS THICKNESS WILL VARY WITH WINDOW SIZE & DESIGN LOAD, AND MUST COMPLY WITH ASTM-E1300.



\* WOOD BUCK MATERIAL MUST BE SOLID, CONTINUOUS WOOD. WHERE 2 X 4 MATERIAL IS USED, SECURELY ANCHOR 2 X 4 TO CONCRETE OR MASONRY, THEN ANCHOR WINDOW UNIT TO 2 X 4 BUCK. ANCHOR EMBEDMENT MUST BE 1 1/4".

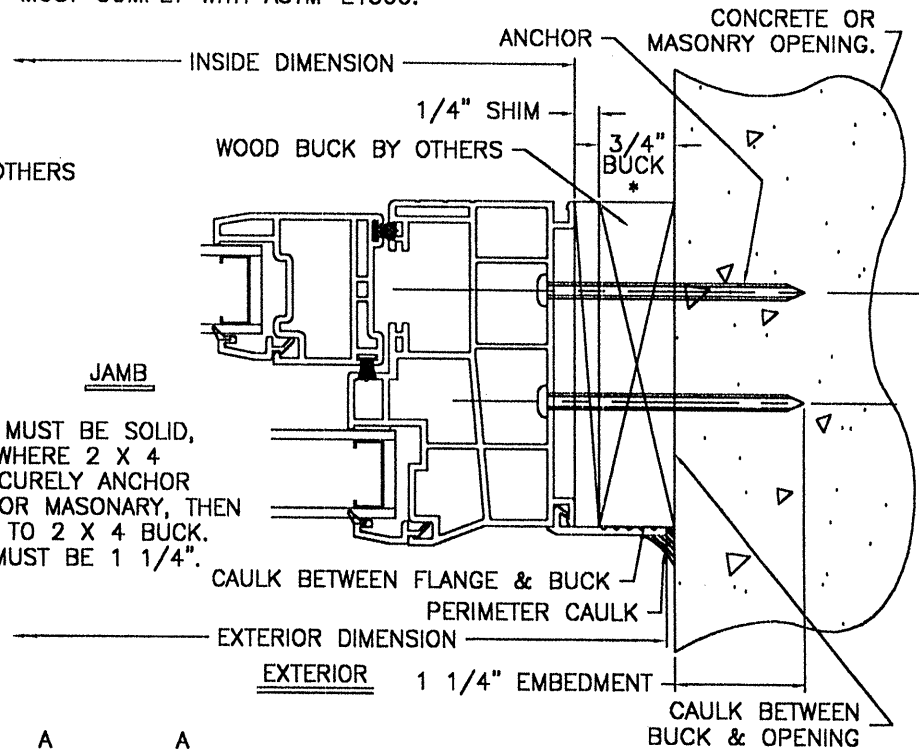


GORELL ENTERPRISES, INC. 1380 Wayne Ave Indiana, Pa. 15701	
SCALE FULL	REVISIONS
DATE 3/27/02	
DWN VSN	
TITLE MODEL 5305 INSTALLATION & FASTENER DETAIL	DWG. NO. IFD

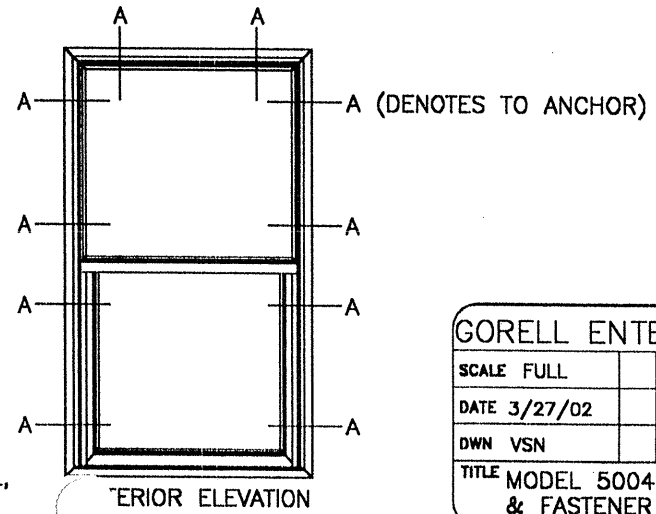


NOTES:

- 1.) SHIM AS REQUIRED AT EACH INSTALLATION ANCHOR AS SHOWN, WITH LOAD BEARING SHIM.
- 2.) ANCHOR MUST BE OF SUFFICIENT LENGTH TO PROVIDE 1 1/4" EMBEDMENT INTO MASONRY OR CONCRETE.
- 3.) CAULK BETWEEN WINDOW FLANGES & BUCK AND CAULK FULL PERIMETER OF WINDOW.
- 4.) ANCHOR SPACING SHALL NOT EXCEED 16" OC.
- 5.) GLASS THICKNESS WILL VARY WITH WINDOW SIZE & DESIGN LOAD, AND MUST COMPLY WITH ASTM-E1300.



\* WOOD BUCK MATERIAL MUST BE SOLID, CONTINUOUS WOOD. WHERE 2 X 4 MATERIAL IS USED, SECURELY ANCHOR 2 X 4 TO CONCRETE OR MASONRY, THEN ANCHOR WINDOW UNIT TO 2 X 4 BUCK. ANCHOR EMBEDMENT MUST BE 1 1/4".



GORELL ENTERPRISES, INC. 1380 Wayne Ave Indiana, Pa. 15701	
SCALE FULL	REVISIONS
DATE 3/27/02	
DWN VSN	
TITLE MODEL 5004 INSTALLATION DWG. NO. & FASTENER DETAIL	
	IFD