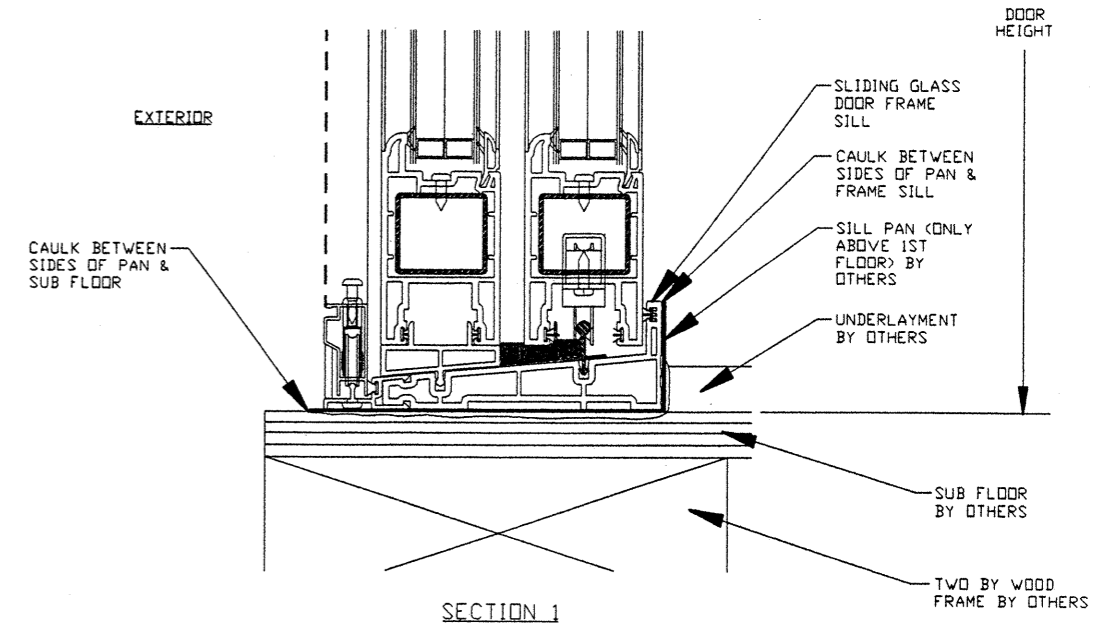


- NOTES:**
- 1) SHIM AS REQ'D. AT EACH INSTALLATION ANCHOR W/ LOAD BEARING SHIM. MAX. ALLOWABLE SHIM STACK TO BE 1/4". USE SHIMS WHERE SPACE GREATER THAN 1/16" IS PRESENT.
  - 2) DOOR FRAME MATERIAL: POLY VINYL CHLORIDE.
  - 3) 3/16" DIA. TAPCON\ MASONRY SCREW ANCHOR MUST BE OF SUFFICIENT LTH. TO ACHIEVE MIN. EMBEDMENT OF 1-1/4" INTO MASONRY OR CONCRETE.
  - 4) NOT ALL INSTALLATION HOLES FOR ANCHORS ARE APPLIED BY FACTORY IN ALL SIZES. USE #8 SCREWS OF SUFFICIENT LTH. TO PROVIDE MIN. 5/8 IN. EMBEDMENT INTO WOOD BUCK. SEE FASTENER CHART ON BACK OF THIS SHEET.
  - 5) #8 SCREW INSTALLATION ANCHORS IN TWO BY WOOD BUCK INSTALLATION MUST BE OF SUFFICIENT LEGNTH TO ACHIEVE MIN. EMBEDMENT OF 1-1/8" INTO TWO BY WOOD BUCK. SEE FASTENER CHART ON BACK OF THIS SHEET.
  - 6) CAULK BEHIND WINDOW FLANGE AT HEAD & JAMBS WITH CAULK. SET SILL IN BED OF CAULK OR CONCRETE. APPLICATION OF CAULK & SEALANTS MUST COMPLY WITH SEALANT MANUFACTURER'S RECOMENDATIONS.
  - 7) USE CAULK FOR PERIMETER SEAL AROUND EXTERIOR OF WINDOW FLANGE BY OTHERS.
  - 8) IF EXACT DOOR SIZE IS NOT LISTED IN ANCHOR CHART, USE ANCHOR QUANTITY LISTED WITH NEXT LARGER SIZE.
  - 9) GLASS THICKNESS MAY VARY PER THE REQUIREMENTS OF ASTM E1300 SAFTY STANDARD GLASS CHARTS.
  - 10) INSTALLATION AS STATED HEREIN COMPLIES WITH THE FLORIDA BUILDING CODE @ 60.0 PSF.
  - 11) PAN ON ALL INSTALLS ABOVE 1ST FLOOR MUST BE LEAK PROOF PAN.
  - 12) ANCHOR DETAILS SHOW TWO BY & ONE BY WOOD BUCK. INSTALATION WOULD ALSO APPLY WHERE NO WOOD BUCK IS USED.

<b>STANEK WINDOW CO.</b> CUYHOGA HEIGHTS, OHIO		
TITLE: SERIES 2000, 3000 & 4000 SLIDING GLASS DOOR INSTALLATION DETAIL IN MASONRY		
ENGINEER: MANUEL MARTINEZ	DRN: BB	DATE: 6/04/02
DISCIPLINE: CIVIL	SCALE: N.T.S.	DWG. NO: STAN0001
FL. REG. NO: 47182	REV. LETTER:	SHEET: 1 OF 2

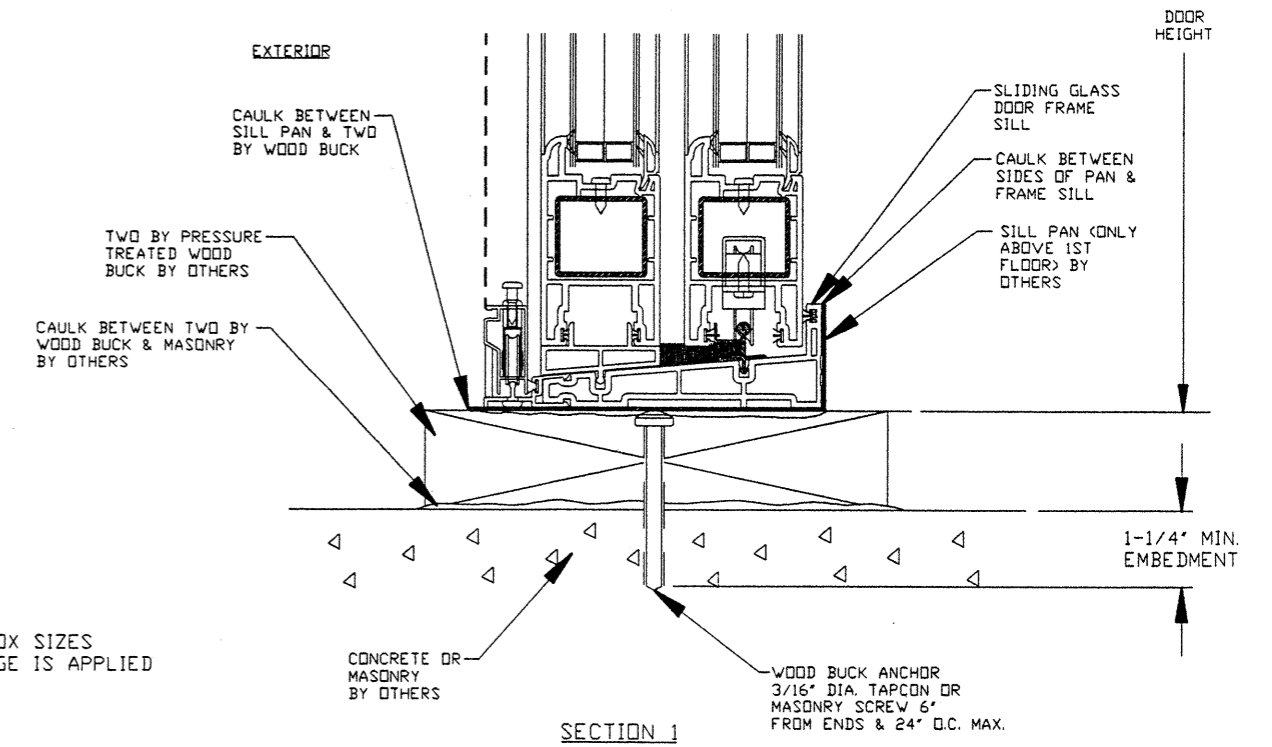
INSTALLATION ANCHOR CHART

SGD SIZE (3 PANEL)	QUANTITY 3/16" DIA. TAPCON \ MASONRY SCREWS IN HEAD	QUANTITY 3/16" DIA. TAPCON \ MASONRY SCREWS IN EA. JAMB	QUANTITY #8 SCREWS IN HEAD	QUANTITY #8 SCREWS IN EA. JAMB
	UP TO 60 PSF	UP TO 60 PSF	UP TO 60 PSF	UP TO 60 PSF
8'-0" X 6'-0"	4	4	5	4
8'-0" X 7'-0"	4	5	5	6
8'-0" X 8'-0"	4	6	5	7
9'-0" X 6'-0"	5	4	6	4
9'-0" X 7'-0"	5	5	6	6
9'-0" X 8'-0"	5	6	6	7
10'-0" X 6'-0"	5	4	7	4
10'-0" X 7'-0"	6	5	7	6
10'-0" X 8'-0"	6	6	7	7
11'-0" X 6'-0"	6	4	7	4
11'-0" X 7'-0"	7	5	8	6
11'-0" X 8'-0"	7	6	9	7
12'-0" X 6'-0"	7	4	8	4
12'-0" X 7'-0"	8	5	9	6
12'-0" X 8'-0"	8	6	10	7

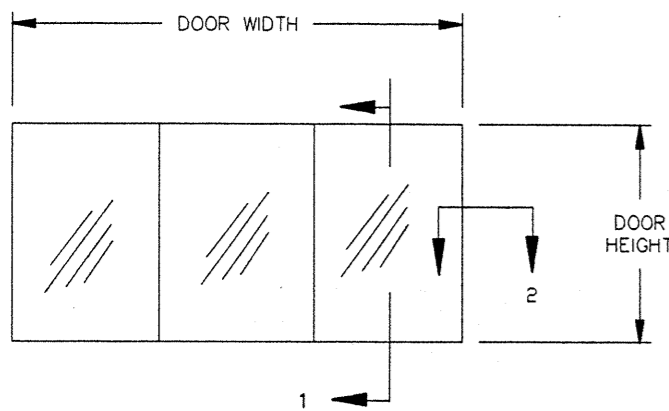


INSTALLATION ANCHOR CHART

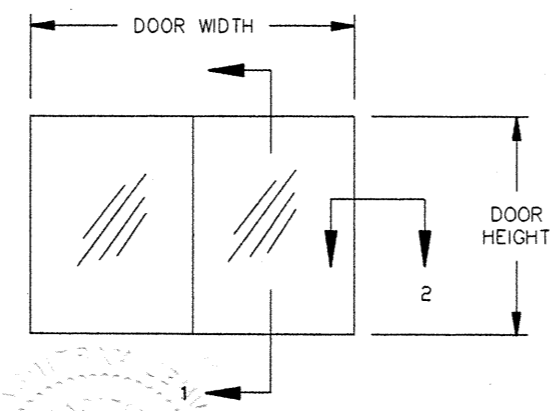
SGD SIZE (2 PANEL)	QUANTITY 3/16" DIA. TAPCON \ MASONRY SCREWS IN HEAD	QUANTITY 3/16" DIA. TAPCON \ MASONRY SCREWS IN EA. JAMB	QUANTITY #8 SCREWS IN HEAD	QUANTITY #8 SCREWS IN EA. JAMB
	UP TO 60 PSF	UP TO 60 PSF	UP TO 60 PSF	UP TO 60 PSF
5'-0" X 6'-0"	2	3	2	4
5'-0" X 7'-0"	2	4	2	5
5'-0" X 8'-0"	2	5	2	5
6'-0" X 6'-0"	3	4	3	4
6'-0" X 7'-0"	3	4	3	5
6'-0" X 8'-0"	3	5	3	6
7'-0" X 6'-0"	3	4	4	4
7'-0" X 7'-0"	3	5	4	6
7'-0" X 8'-0"	3	6	4	7
8'-0" X 6'-0"	4	4	5	4
8'-0" X 7'-0"	4	5	5	6
8'-0" X 8'-0"	4	6	5	7



NOTE: SIZES ARE BOX SIZES BEFORE FLANGE IS APPLIED



EXTERIOR ELEVATION APPROVED 3 PANEL CONFIGURATION OXO, XOO & OOX



EXTERIOR ELEVATION APPROVED 2 PANEL CONFIGURATIONS OX, XO, XX

STANEK WINDOW CO.

TITLE: SERIES 2000, 3000 & 4000 SLIDING GLASS DOOR INSTALLATION DETAIL IN MASONRY		
ENGINEER: MANUEL MARTINEZ	DRN: BB	DATE: 6/04/02
DISCIPLINE: CIVIL	SCALE: N.T.S.	DWG. NO: STAN0001-2
FL. REG. NO: 47182	REV. LETTER:	SHEET: 2 OF 2