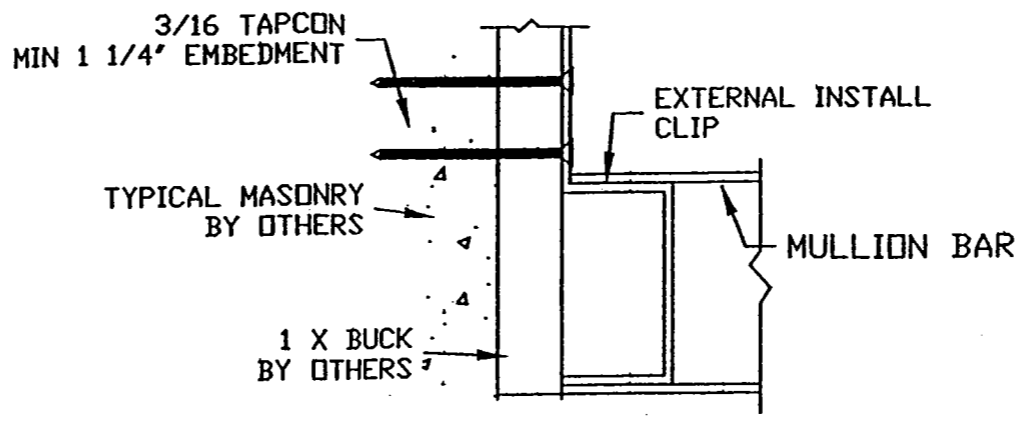
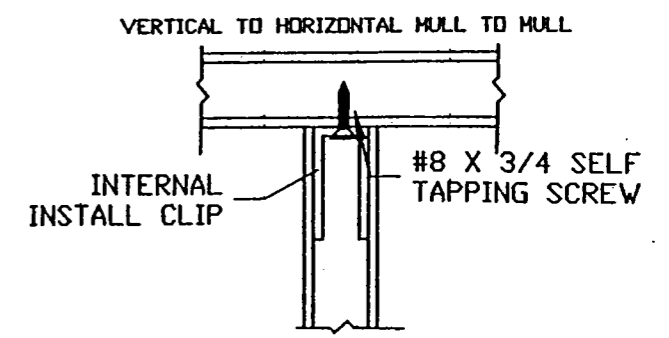


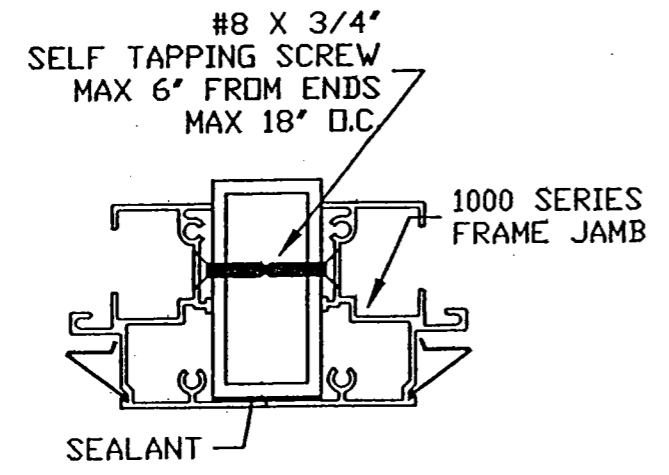
SECTION A



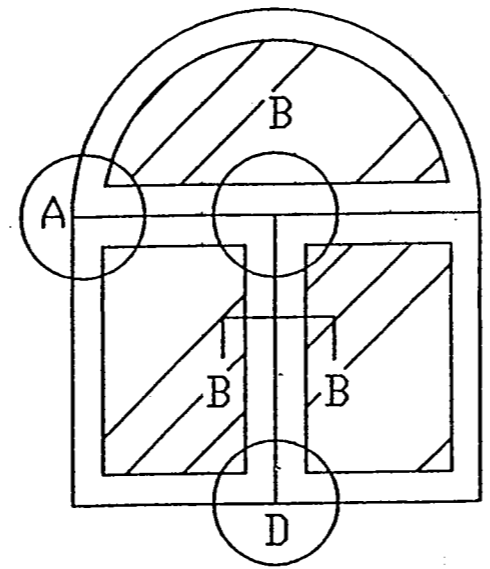
DETAIL A TOP VIEW



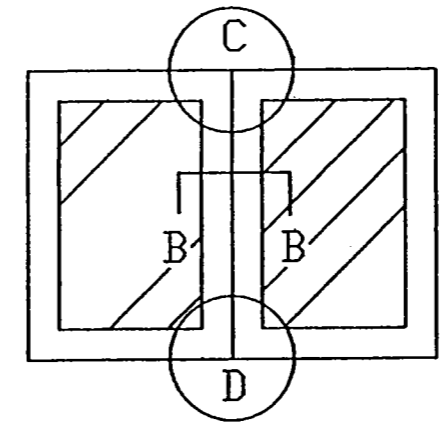
DETAIL B



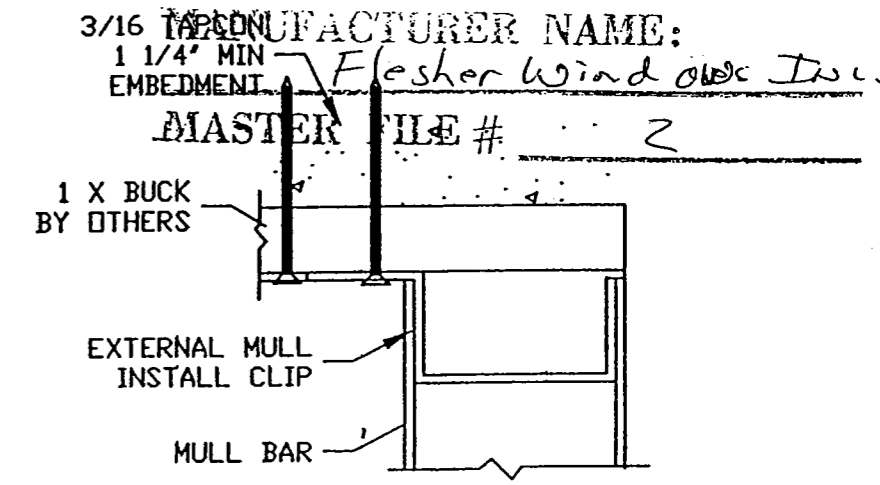
SECTION B



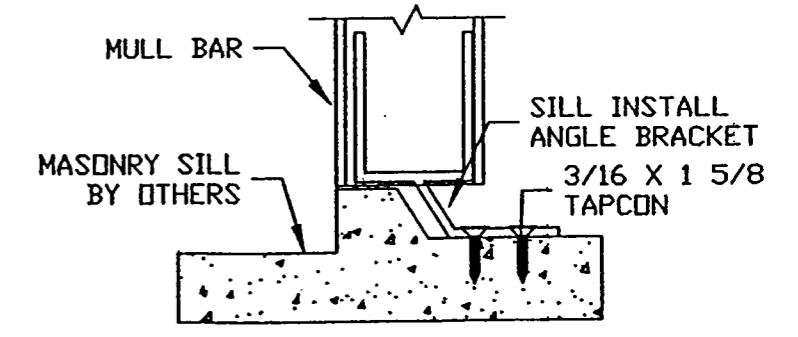
Elevation 3



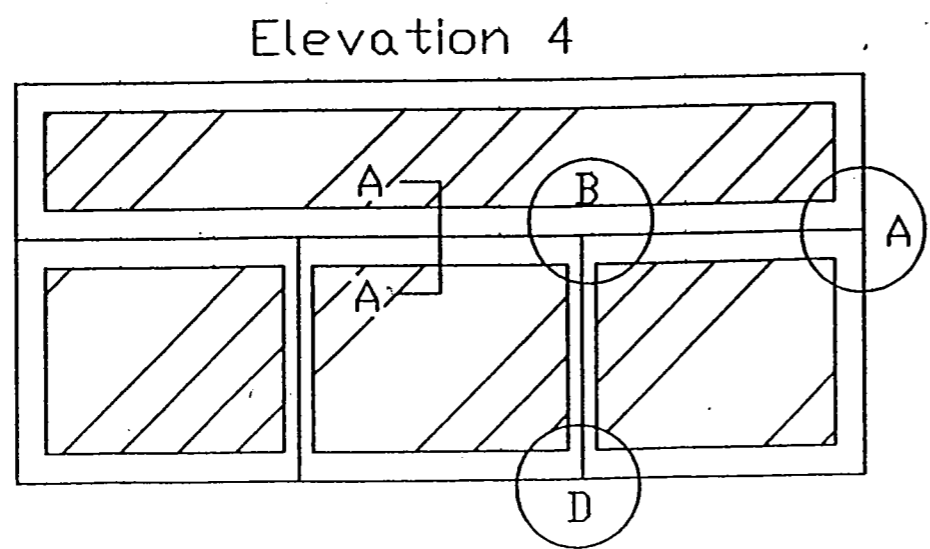
Elevation 2



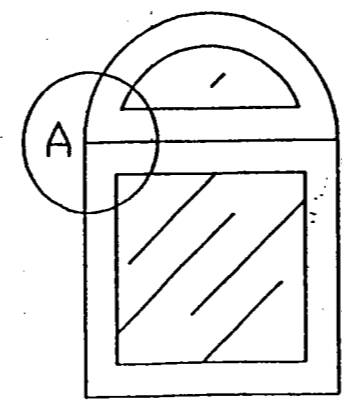
DETAIL C



DETAIL D



Elevation 4

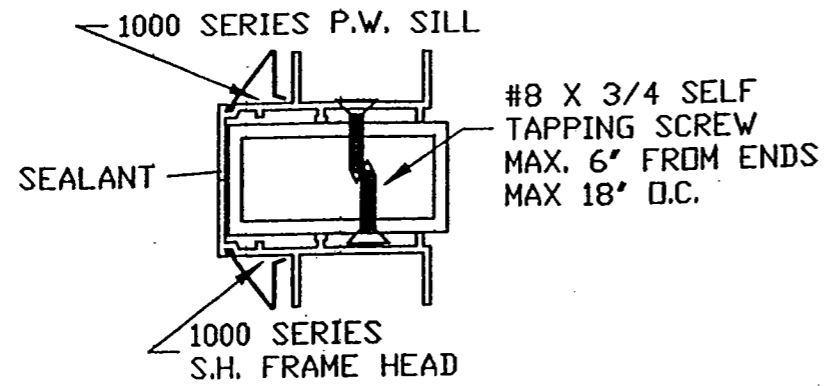


Elevation 1

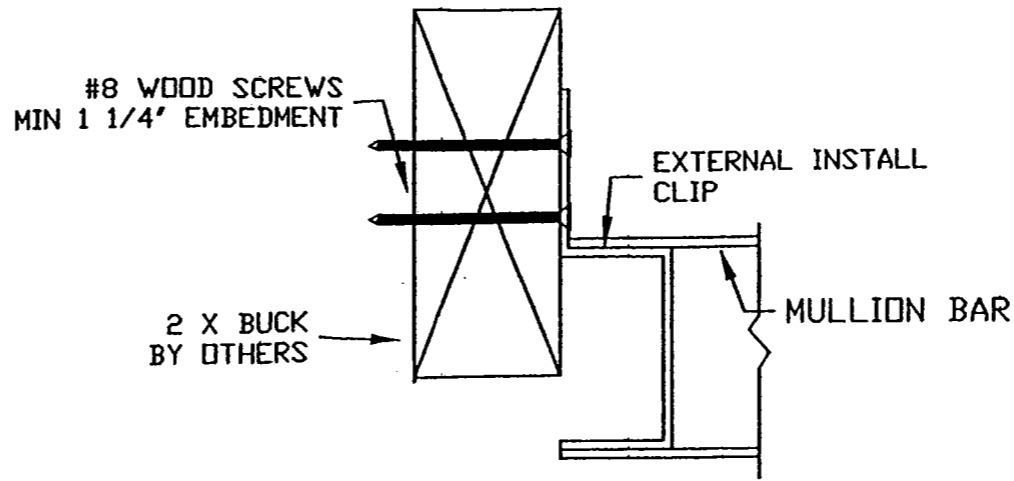
MANUFACTURER NAME: Flesher Windows Inc.  
 MASTER FILE # 2

*John Allegre*  
 8/15/02

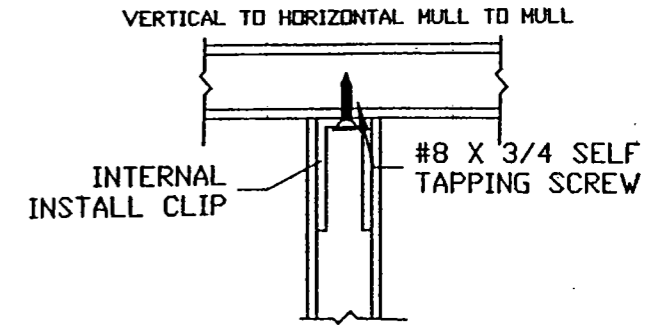
FLESHER WINDOWS INC. LEHIGH ACRES FLORIDA 33936		
1000 SERIES MULLION INSTALL DETAILS		
DATE 8/15/02	DWG BY ADG	SCALE NTS



SECTION A

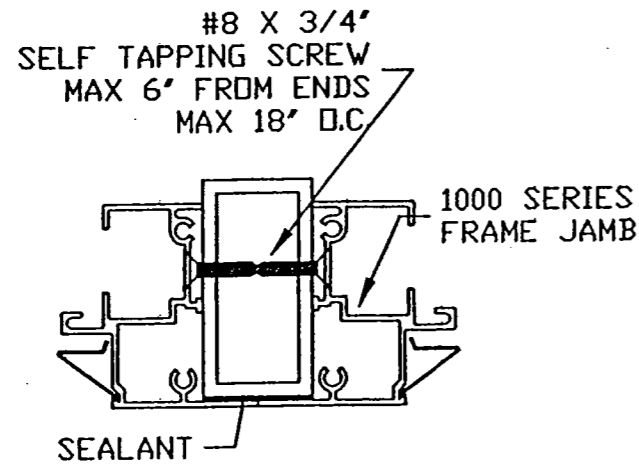


DETAIL A TOP VIEW

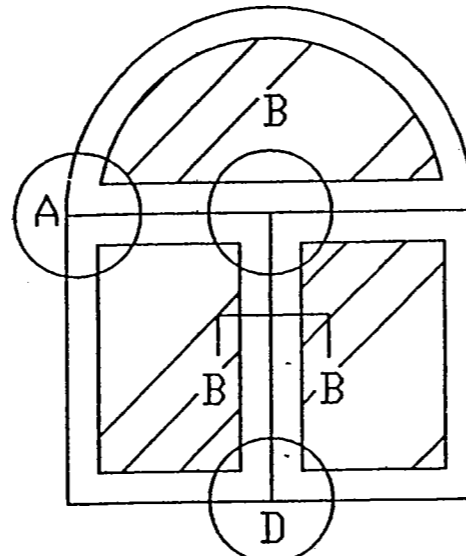


DETAIL B  
CENTRAL FLORIDA B.O.A.F.

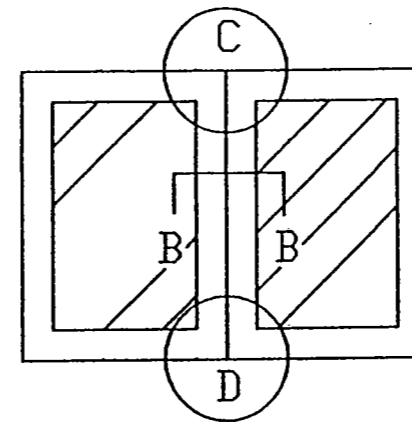
MANUFACTURER NAME: Flesher Windows Inc.  
MASTER FILE # 2



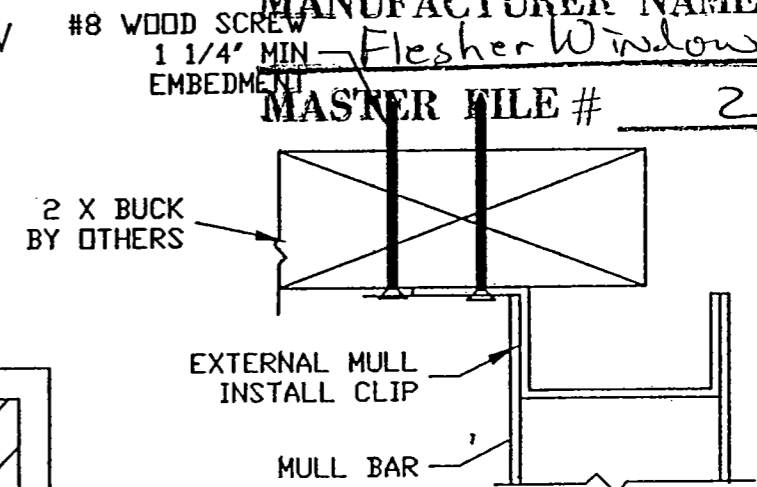
SECTION B



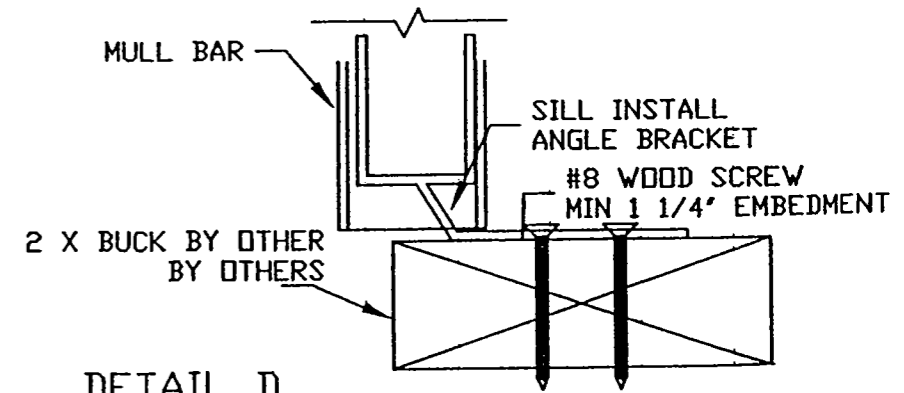
Elevation 3



Elevation 2

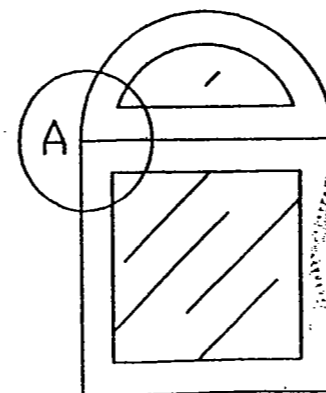
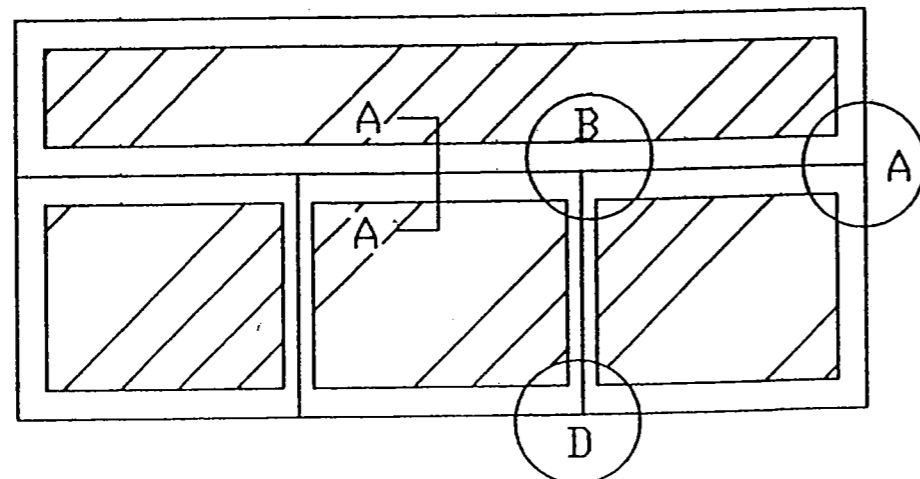


DETAIL C



DETAIL D

Elevation 4



Elevation 1

*John P. Malone*  
11/16/02  
20115

FLESHER WINDOWS INC.  
LEHIGH ACRES FLORIDA 33936

1000 SERIES MULLION INSTALL DETAILS  
FIN WOOD DETAIL

DATE 8/15/02

DWG BY ADG

SCALE NTS