

**MODEL DESIGNATION:** Simonton Horizontal Slider Series 40--06 Vinyl Window

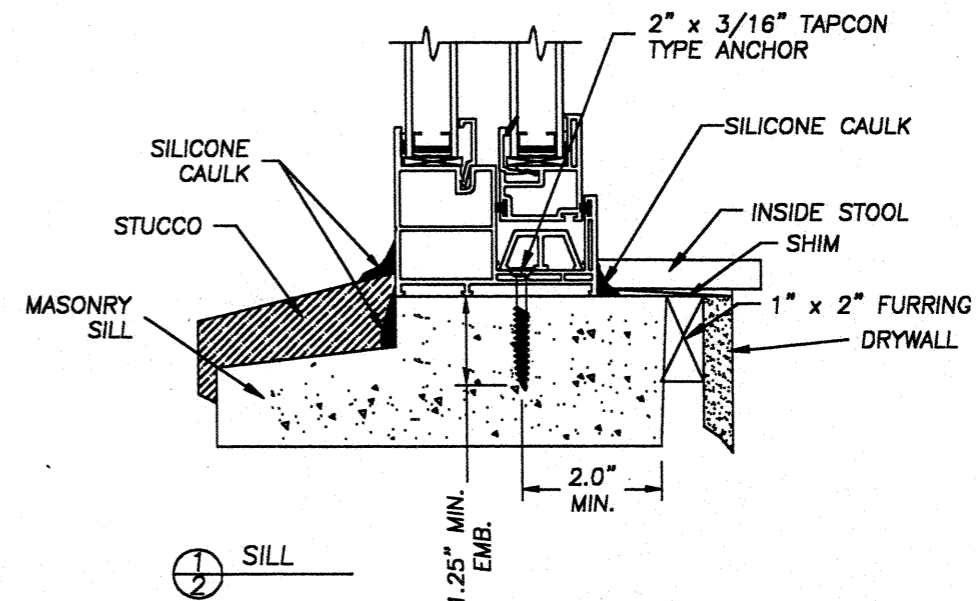
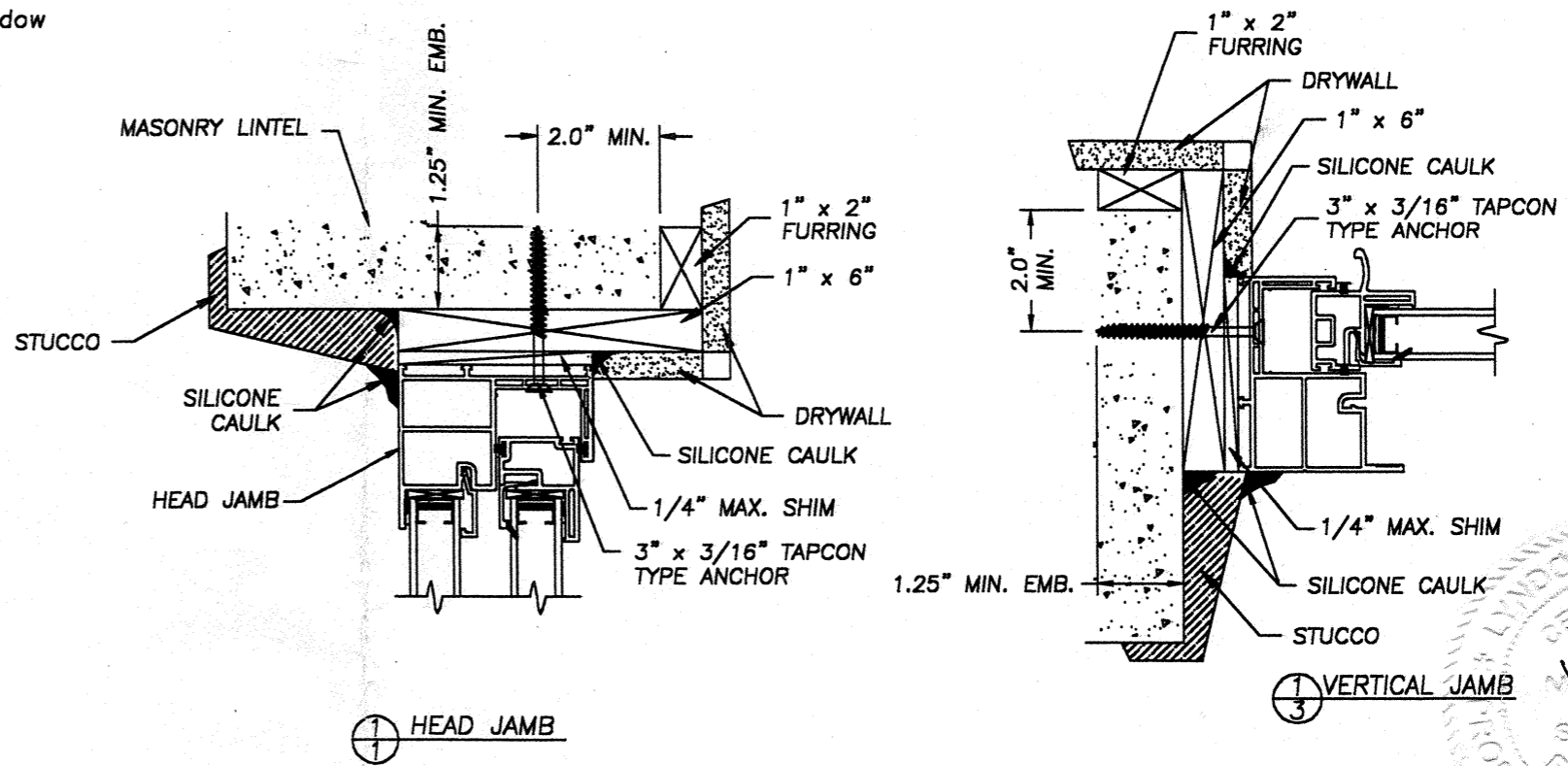
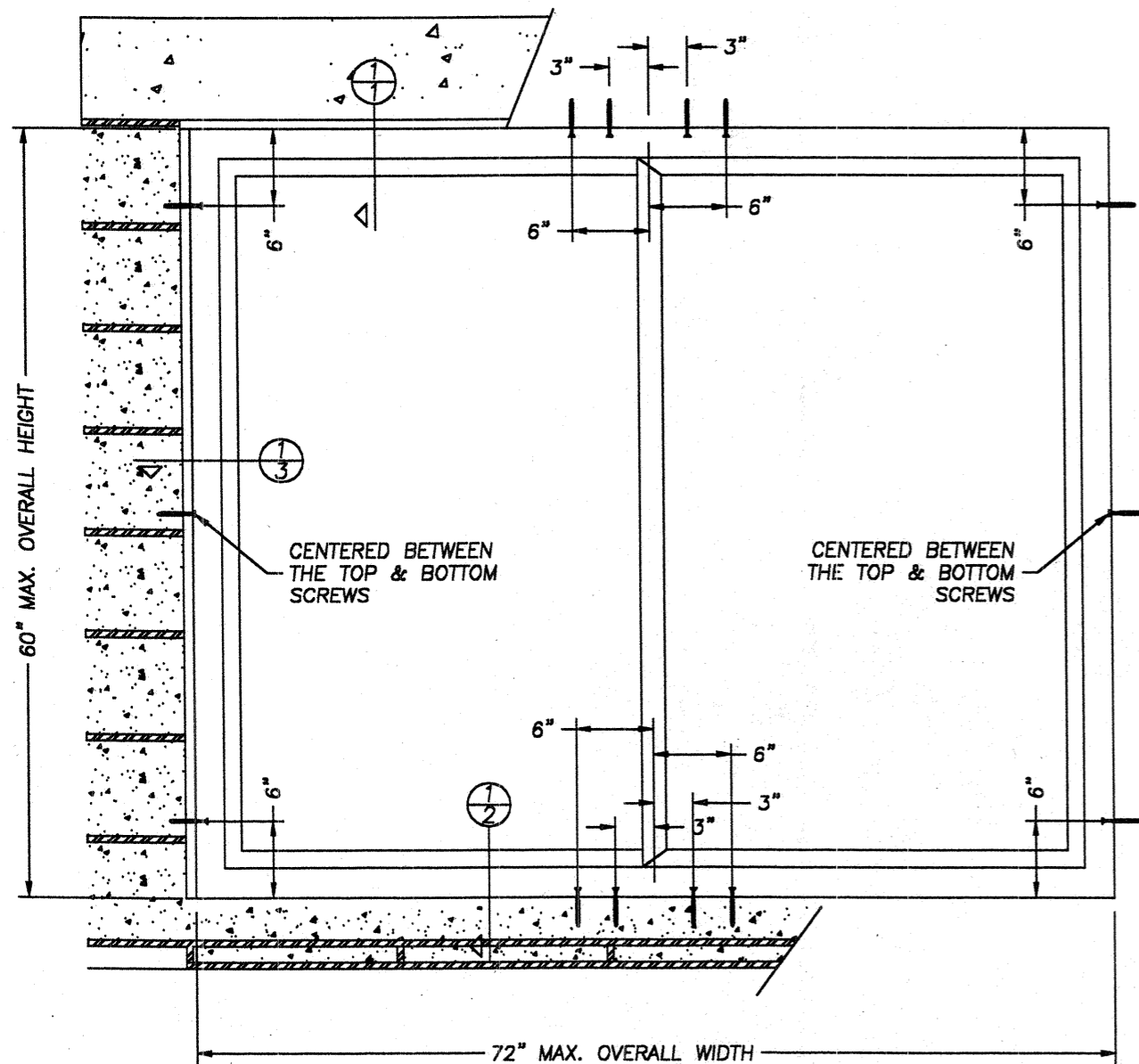
**MAXIMUM OVERALL NOMINAL SIZE:** Single up to 72" x 60"

**DESIGN PRESSURE RATING:** Anchors: Positive 35.0 PSF Negative 35.0 PSF

Windows: Design Pressure Ratings Vary; See Corresponding AAMA Test Report or Dade NOA or Florida P.E. Evaluation.

**USABLE CONFIGURATIONS:** XO OX

**GENERAL DESCRIPTION:** The head and side jambs are extruded PVC. The wall thickness through which the anchor screw penetrates is a minimum of 0.070".



- NOTE:**
1. This system has been evaluated for use in locations adhering to the Florida Building Code and where pressure requirements as determined by ASCE 7 Minimum Design Loads for Buildings and Other Structures do not exceed the design pressure ratings listed herein.
  2. For installations where the sub-buck is less than 1-1/2" (FBC section 1707.4.4 Anchorage Methods and sub-sections 1707.4.4.1 and 1707.4.4.2) Tapcon type concrete anchors must be used and the length must be such that a minimum 1-1/4" engagement of the Tapcon into the masonry wall is obtained.
  3. In the step down application, fill the anchoring screw holes with silicone prior to installing the anchoring screws. After the screws are installed, cover each screw head with silicone. Once the screws have been covered with silicone, cover the screw access hole with an installation cap or Simonton approved sealant tape.
  4. All interior and exterior perimeter surfaces of the window must be caulked.
  5. A minimum clearance of 2.0" for all anchoring screws to mortar joints must be maintained.

**Simonton Windows**  
 One Cochrane Avenue  
 Pennsboro, WV 26415  
 PH. 800.426.2249

Lyndon F. Schmidt  
 Florida P. E. No. 43409  
 19506 French Lace Drive  
 Lutz, FL 33558

ANCHORING CROSS SECTIONS  
 FOR 1x BUCK TO MASONRY  
 HORIZONTAL SLIDER  
 VINYL WINDOW

**RW BUILDING**  
 CONSULTANTS, INC.  
 813.684.3831

DATE: 5/17/02

SCALE: N.T.S.

DWG. BY: TJH

CHK. BY: R.W.

DRAWING NO.:  
 S-128

SHEET 1 OF 1