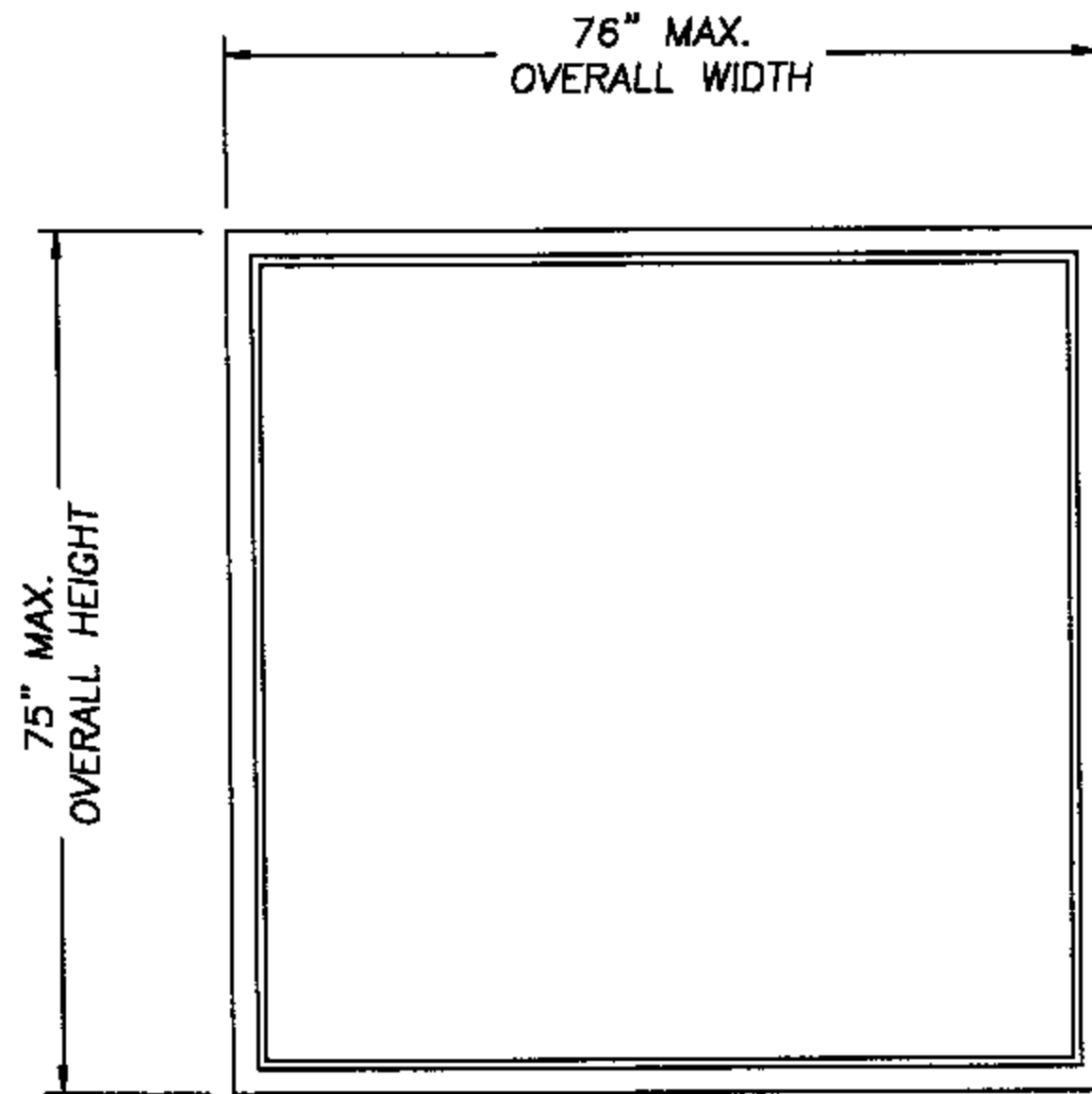


GREAT LAKES WINDOW

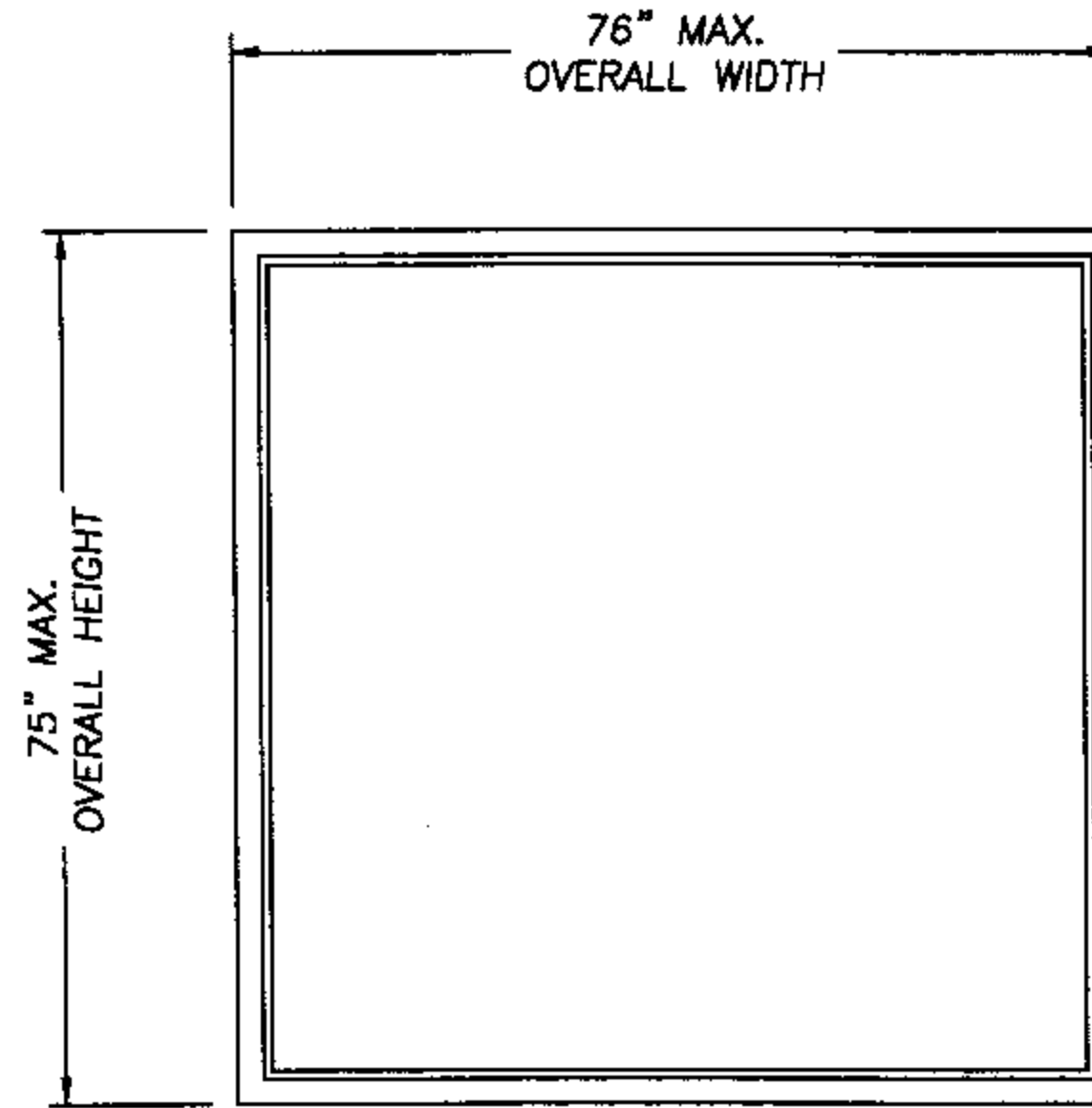
EXTRUDED VINYL FIXED CASEMENT WINDOW



X

DESIGN PRESSURE RATING
POS. 60.0 NEG. 65.0

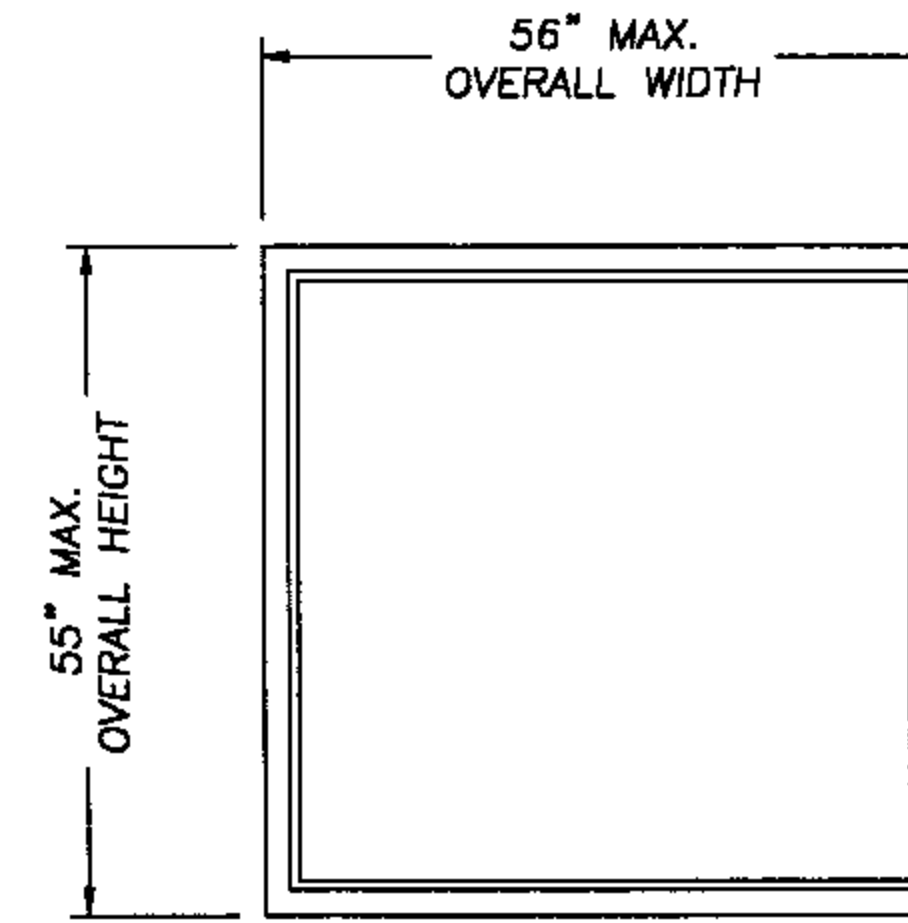
GLASS TABLE
7/8" INSULATED GLASS
3/16" TEMP. - AIR - 3/16" TEMP.



X

DESIGN PRESSURE RATING
POS. 38.0 NEG. 38.0

GLASS TABLE
7/8" INSULATED GLASS
3/16" ANN. - AIR - 3/16" ANN.



X

DESIGN PRESSURE RATING
POS. 60.0 NEG. 65.0

GLASS TABLE
7/8" INSULATED GLASS
3/16" ANN. - AIR - 3/16" ANN.

GENERAL NOTES

1. THIS PRODUCT IS DESIGNED TO COMPLY WITH THE FLORIDA BUILDING CODE.
2. PRODUCT ANCHORS SHALL BE AS LISTED AND SPACED AS SHOWN ON DETAILS.
3. WHEN THIS PRODUCT IS USED IN AN AREA REQUIRING WINDBORNE DEBRIS PROTECTION, FLORIDA BUILDING CODE APPROVED IMPACT RESISTANT SHUTTERS ARE REQUIRED.
4. MASONRY ANCHORING FOR 1x BUCK SEE SHEET 2 OF 3.
5. MASONRY ANCHORING FOR 2x BUCK SEE SHEET 3 OF 3.

PRODUCT DESCRIPTION

1. VINYL FIXED CASEMENT WINDOW WITH MITERED AND WELDED CORNERS.
2. THE HEAD AND SIDE JAMBS ARE EXTRUDED VINYL WITH AN EXTERIOR WALL THICKNESS OF 0.070" +/- 0.008".

JULY 17, 2002

Lyndon F. Schmidt
Florida P. E. No. 43409
19506 French Lace Drive Lutz, FL 33558

Great Lakes Window
3049 Tracy Road
PO Box 1896
Toledo, Ohio 43603-1896
PH. 419.662.3505

PRODUCT: GREAT LAKES
EXTRUDED VINYL
FIXED CASEMENT WINDOW
PART OR ASSEMBLY:
GENERAL NOTES &
TYPICAL ELEVATIONS

NO.	DATE	REVISIONS	BY

RW BUILDING
CONSULTANTS, INC.
813.659.9197

DATE: 6/19/02

SCALE: N.T.S.

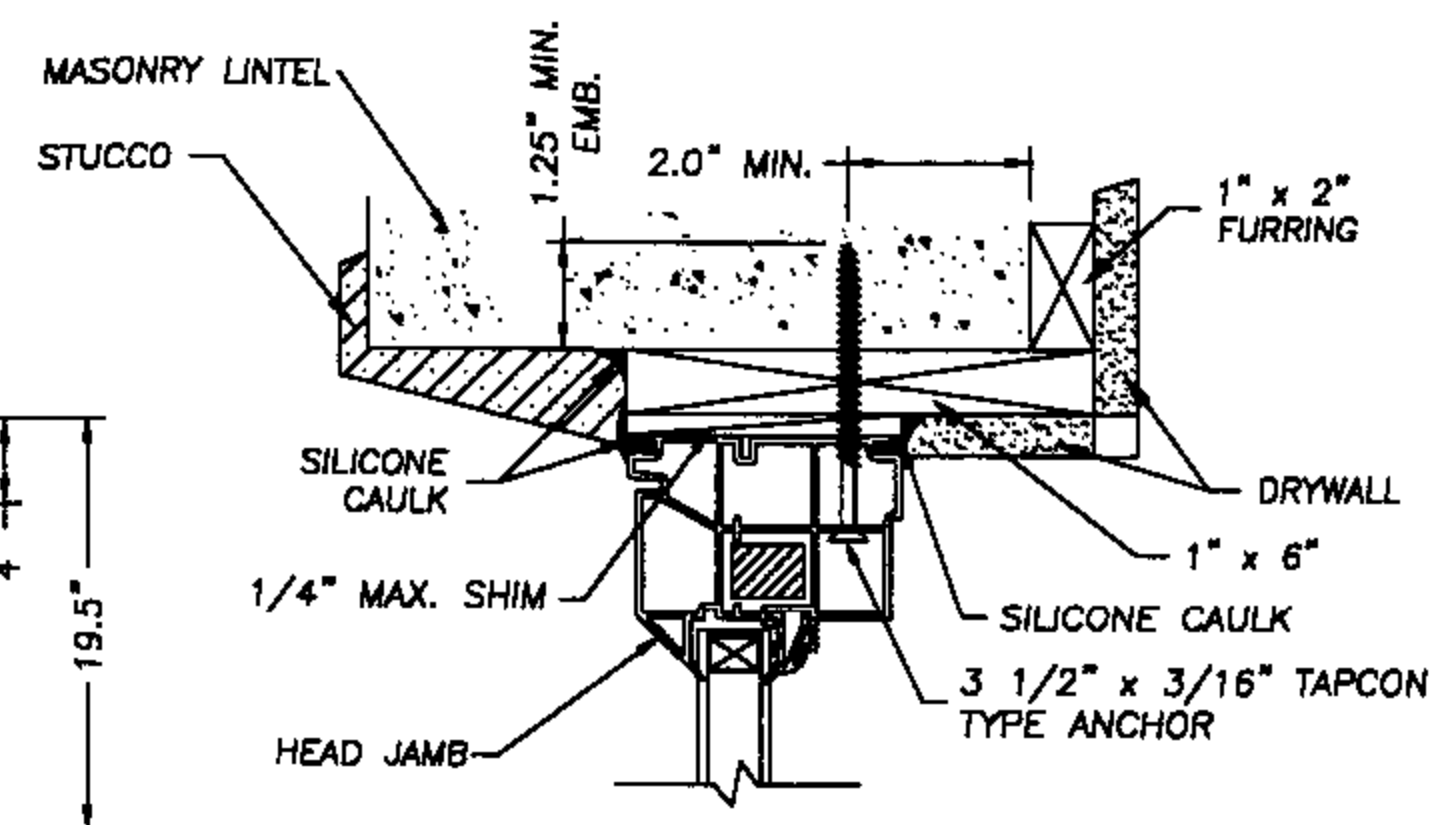
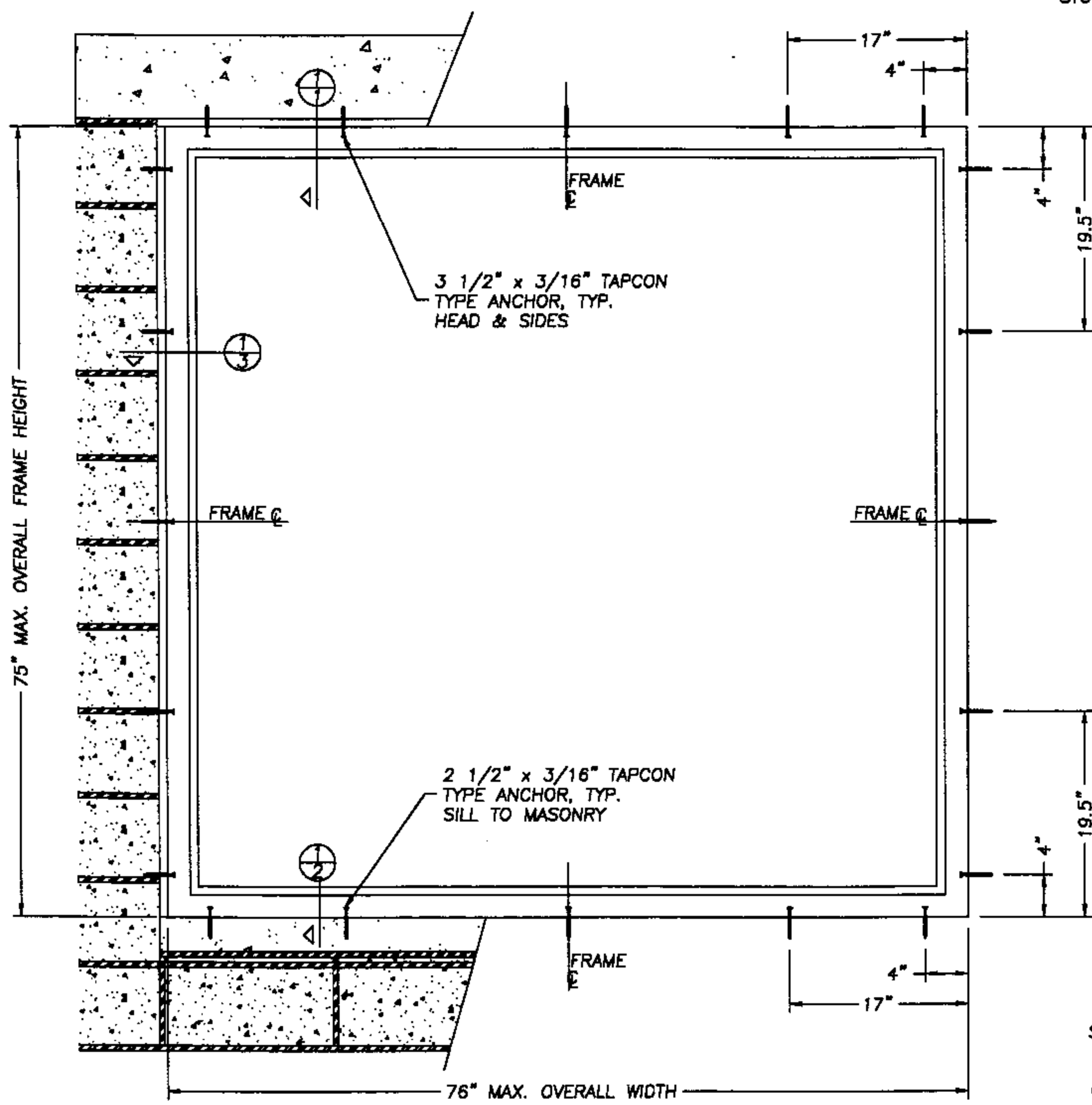
DWG. BY: WLN

CHK. BY: RW

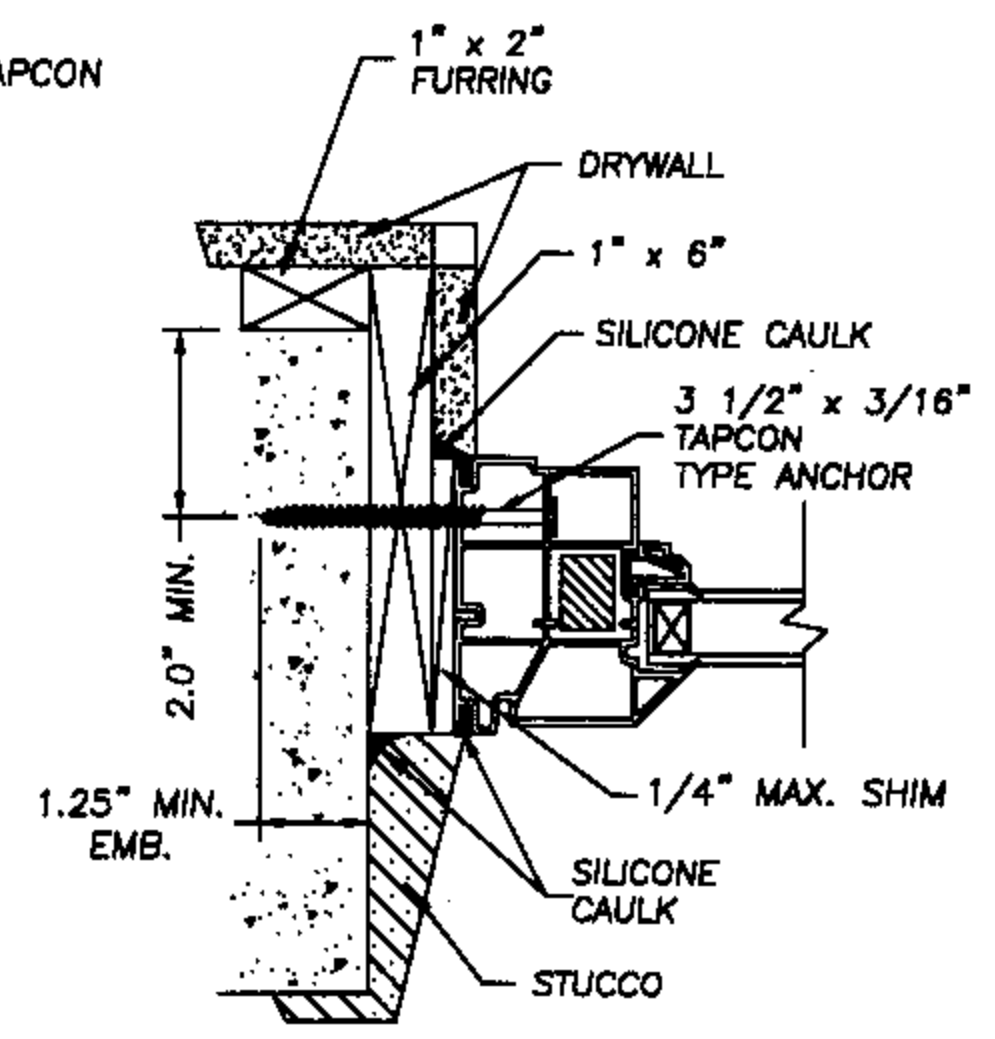
DRAWING NO.:

GL-105-OC

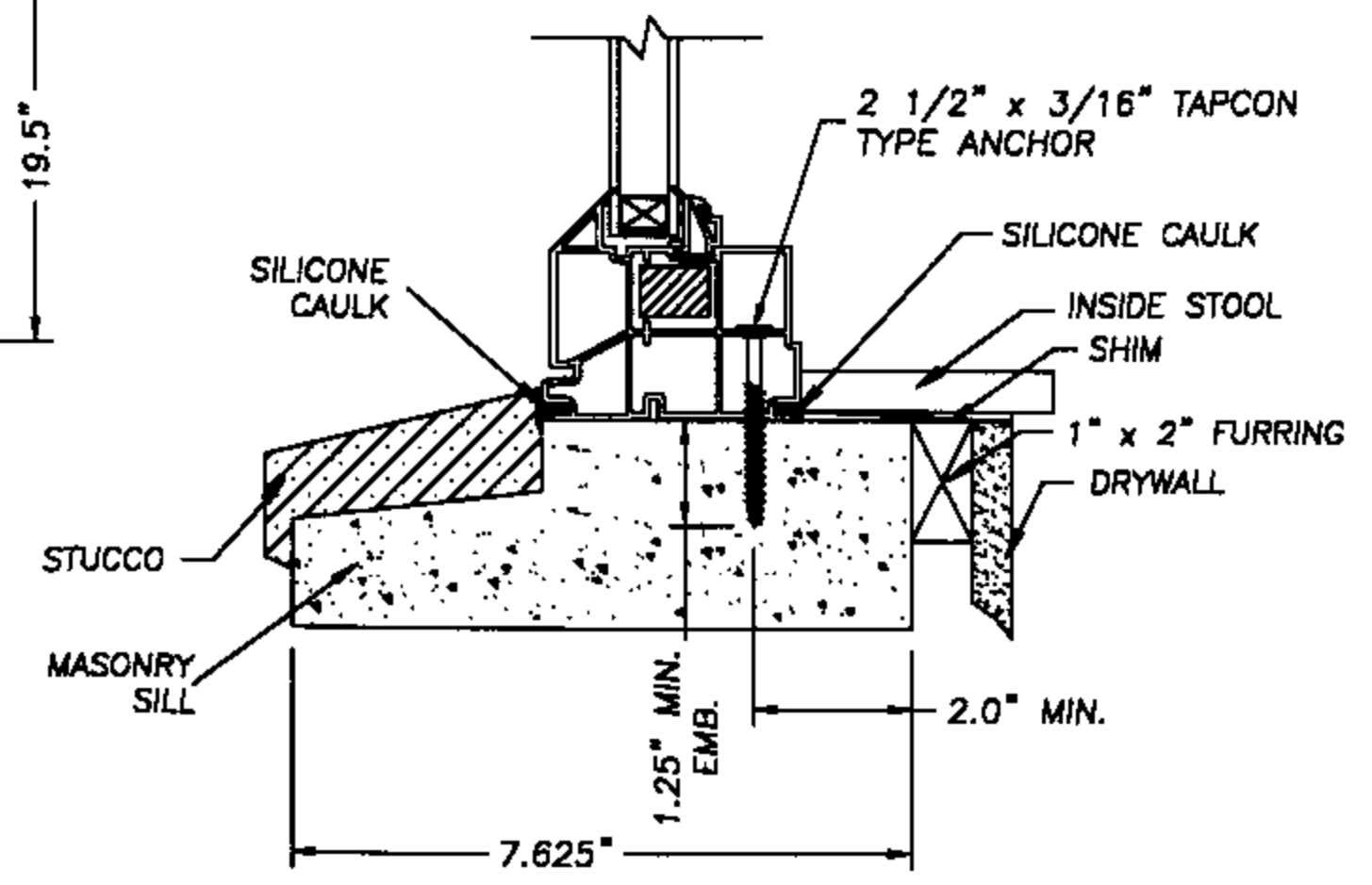
SHEET 1 OF 3



⊕ HEAD JAMB



⊕ VERTICAL JAMB



⊕ SILL

NOTE:

Adjust Tapcon anchor locations, if necessary, to maintain a minimum 2.0" clearance from mortar joints.

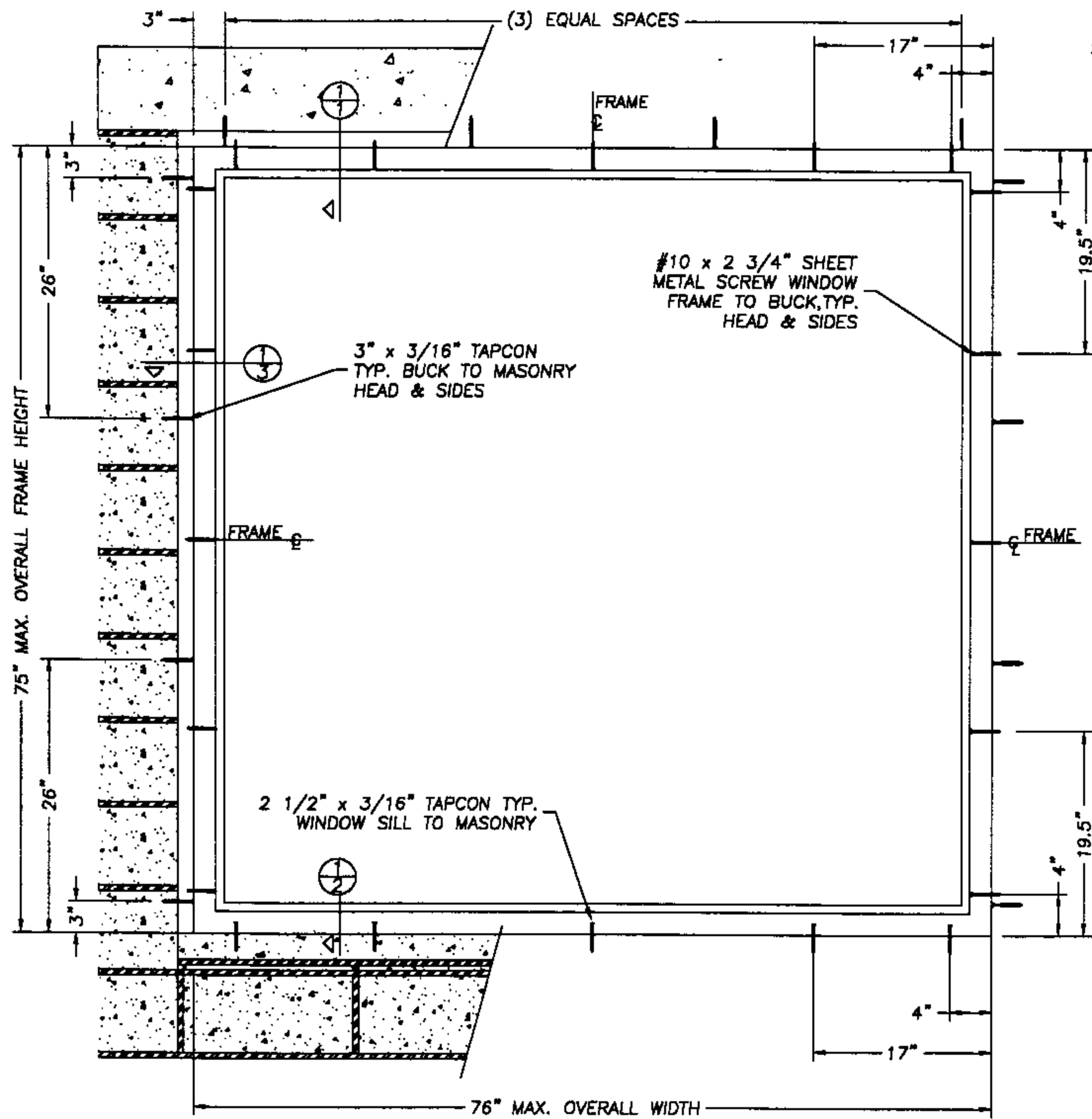
JULY 17, 2002
 Lyndon F. Schmidt
 Florida P. E. No. 43409
 19506 French Lace Drive
 Lutz, FL 33558

Great Lakes Window
 3049 Tracy Road
 PO Box 1896
 Toledo, Ohio 43603-1896
 PH. 419.662.3505

ANCHORING CROSS SECTIONS
 FOR 1X BUCK TO MASONRY
 FIX CASEMENT
 VINYL WINDOW

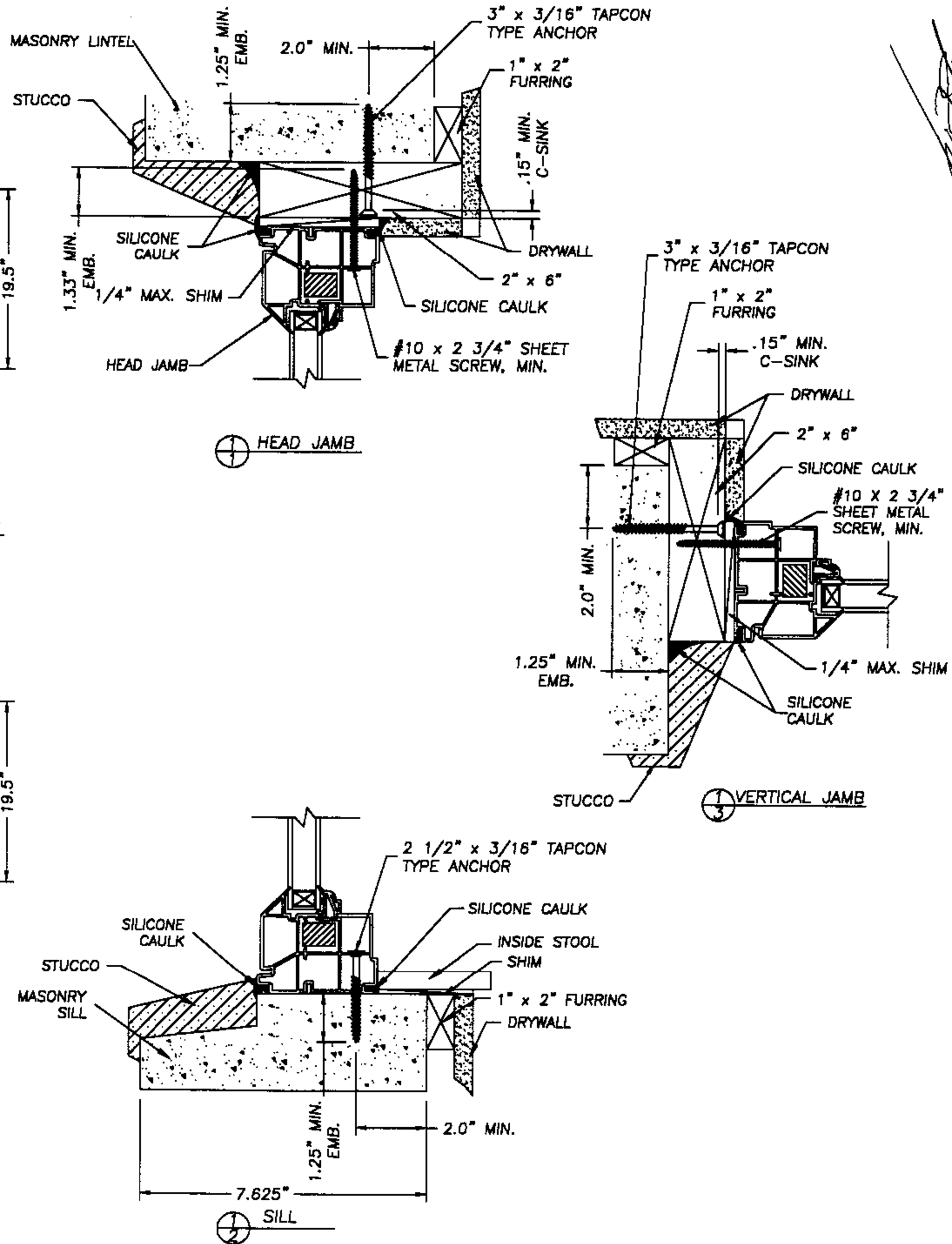
RW BUILDING
 CONSULTANTS, INC.
 813.659.9197

DATE: 6/19/02
 SCALE: N.T.S.
 DWG. BY: WLN
 CHK. BY: R.W.
 DRAWING NO.:
 GL-105-OC
 SHEET 2 OF 3



NOTE:

Adjust Tapcon anchor locations, if necessary, to maintain a minimum 2.0" clearance from mortar joints.



JULY 17, 2002

Lyndon F. Schmidt
Florida P. E. No. 43409
19506 French Lace Drive
Lutz, FL 33558

Great Lakes Window
3049 Tracy Road
PO Box 1896
Toledo, Ohio 43603-1896
PH. 419.662.3505

ANCHORING CROSS SECTIONS
FOR 2X BUCK TO MASONRY
FIX CASEMENT
VINYL WINDOW

RW BUILDING
CONSULTANTS, INC.
813.659.9197

DATE: 6/19/02

SCALE: N.T.S.

DWG. BY: WLN

CHK. BY: R.W.

DRAWING NO.:
GL-105-OC

SHEET 3 OF 3