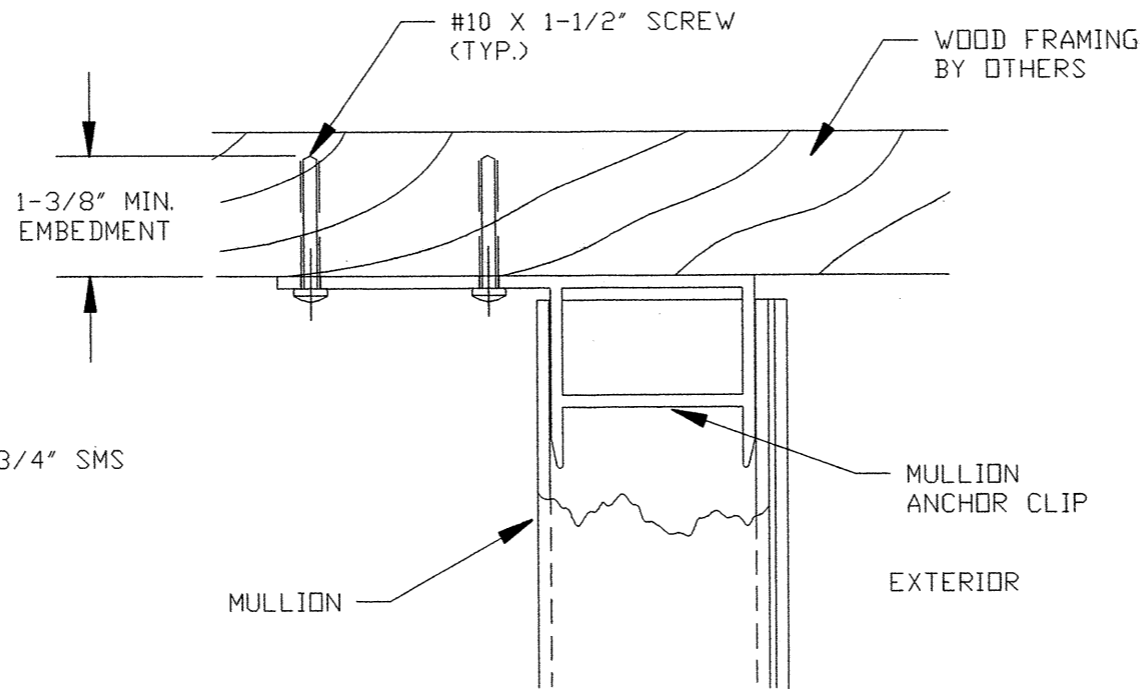
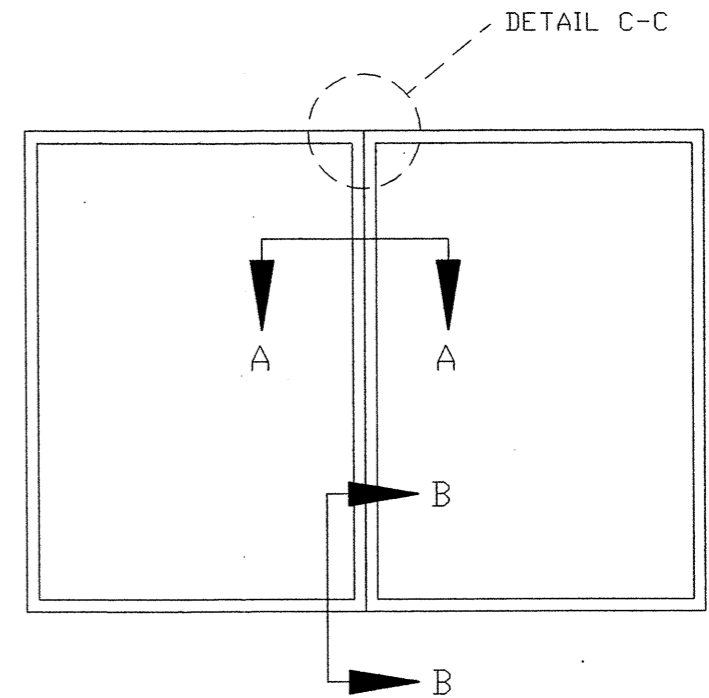


SECTION A-A

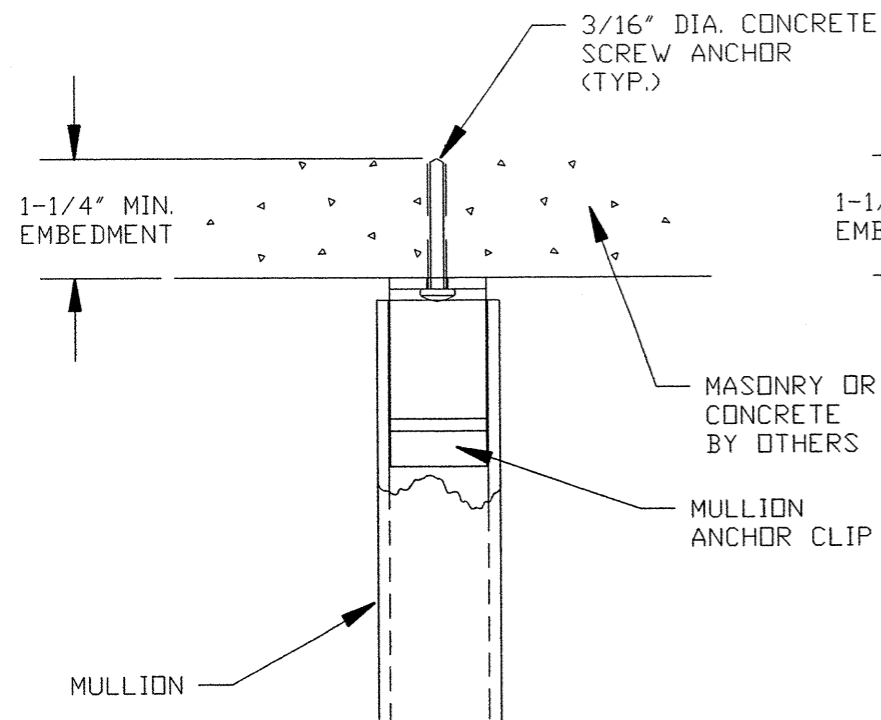


SECTION B-B
INSTALLATION IN WOOD FRAME

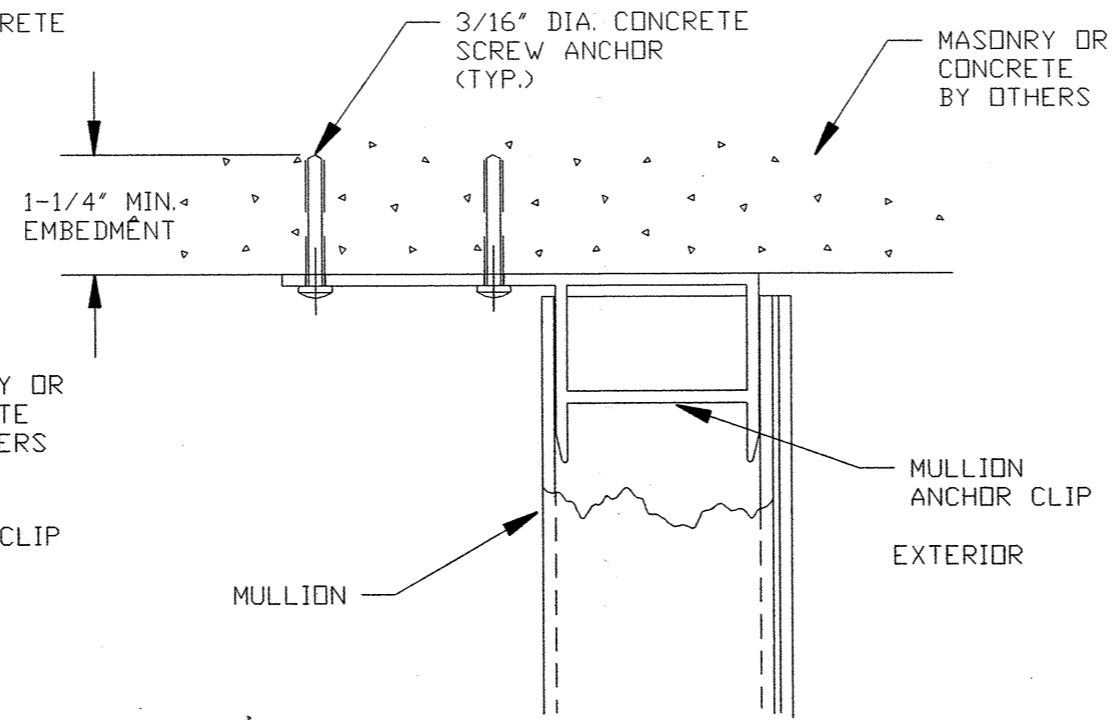


EXTERIOR ELEVATION

- NOTES:
- 1) FOR DESIGN PRESSURE CAPACITY OF MULLION AND CONNECTION, SEE SHEET 10 IN ENGINEER'S NOTICE OF PRODUCT ACCEPTANCE.
 - 2) MULLION MUST BE ANCHORED TO THE STRUCTURE AS SHOWN.
 - 3) SECTIONS AND DETAILS ON THIS SHEET SHOW CONNECTION AT HEAD. CONNECTION AT SILL TO BE SAME AS SHOWN.



DETAIL C-C
INSTALLATION IN MASONRY



SECTION B-B
INSTALLATION IN MASONRY

CUSTOM WINDOW SYSTEMS, INC.
OCALA, FLORIDA

TITLE: VERTICAL MULLION ANCHOR DETAILS		
ENGINEER: MANUEL MARTINEZ, P.E.	DRN: JS	DATE: 2/1/02
DISCIPLINE: CIVIL	SCALE: N.T.S.	DWG. NO: CWS-0105
FL. REG. NO: 47182	REV. LETTER:	SHEET: 1 OF 1

Handwritten: 444
0330-02

CUSTOM WINDOW SYSTEMS, INC.

**VERTICAL
MULLION**

**ALUMINUM MULLION, PART NO. CWS-1187 USED BETWEEN
3500 SERIES FLANGE AND FIN SINGLE HUNG WINDOWS
DESIGN PRESSURE CAPACITY CHART PSF**

WDW. WTH. > WDW. HGT. V	24	30	36	42	48	54
24	416	416	416	416	416	416
30	277	266	266	266	266	266
36	208	190	185	185	185	185
42	166	148	139	136	136	136
48	139	121	111	106	104	104
54	119	102	92	86	83	82
60	104	89	79	73	69	67
66	92	78	69	63	59	57
72	71	60	53	48	45	42
76	60	50	44	40	37	35

CHART APPLIES ONLY TO MULLION CWS-1187 WHEN USED TO MULL 3500 SERIES FLANGE OR FIN SINGLE HUNG WINDOW:
 READ WINDOW WIDTH AND HEIGHT IN INCHES
 DESIGN PRESSURE VALUES ON THIS CHART ARE IN PSF
 MULLION MUST BE ATTACHED DIRECTLY TO STRUCTURE, AT EACH END WITH MULL CLIP NO. CWS-3110. ATTACH
 EACH CLIP TO MASONRY OR CONCRETE WITH TWO 3/16 IN. DIA. CONCRETE SCREW ANCHORS OF SUFFICIENT LENGTH
 TO ACHIEVE MIN. EMBEDMENT OF 1-1/4 IN. ATTACH EACH CLIP TO WOOD FRAME MEMBERS WITH TWO #10 SCREWS OF
 SUFFICIENT LENGTH TO ACHIEVE MIN. EMBEDMENT OF 1-3/8 IN.

PREPARED BY:
PRODUCT & APPLICATION ENGINEERING, INC.
 250 INTERNATIONAL PARKWAY
 SUITE 250
 HEATHROW, FLORIDA 32746
 PHONE 407 805-0365 / FAX 407 805-0366

CA020103
 FEB. 2, 02
 01-1002
 SHT. 12 OF 13

