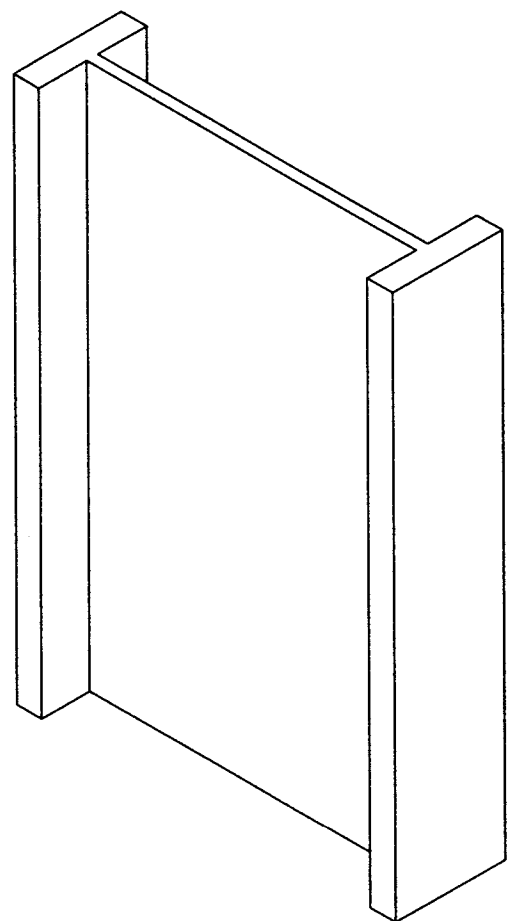
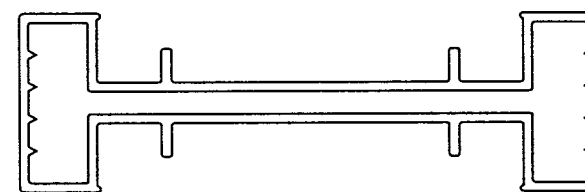


SEARS HOME IMPROVEMENT PRODUCTS

ALL 7000 SERIES WINDOWS (AS MFG. BY SIMONTON SERIES 07-70 / 75-75)
WITH RETROFIT H-MULLION & LARGE VINYL MULLION COVER



LARGE MULL REINFORCEMENT #16991
ALUMINUM 6063-T5



ALL RETROFIT H-MULLION
LARGE VINYL MULLION COVER #VPI-354
EXTRUDED VINYL .071" MIN.

GENERAL NOTES:

1. THIS PRODUCT IS DESIGNED TO COMPLY WITH THE FLORIDA BUILDING CODE.
2. PRODUCT ANCHORS SHALL BE AS LISTED AND SPACED AS SHOWN ON DETAILS.
3. SEE ABOVE FOR INDIVIDUAL MULL APPLICATIONS.
4. SEE SHEET 2 OF 3 FOR DESIGN PRESSURES FOR LARGE MULL REINFORCEMENT #16991.
5. SEE SHEET 3 OF 3 FOR MULL ATTACHMENT AND ANCHORING.


PRODUCT DESCRIPTION:

1. THE MULL REINFORCEMENT IS EXTRUDED ALUMINUM 6063-T5.
2. THE MULLION COVER IS EXTRUDED VINYL. MINIMUM WALL THICKNESS IS 0.071"

Lyndon F. Schmidt
October 15, 2002

Lyndon F. Schmidt
Florida P. E. No. 43409
19506 French Lace Drive Lutz, FL 33558

Sears Home Improvement Products
1024 Florida Central Parkway
Longwood, FL, 32750
PH. 800.222.5030
Fax. 407.332.8216

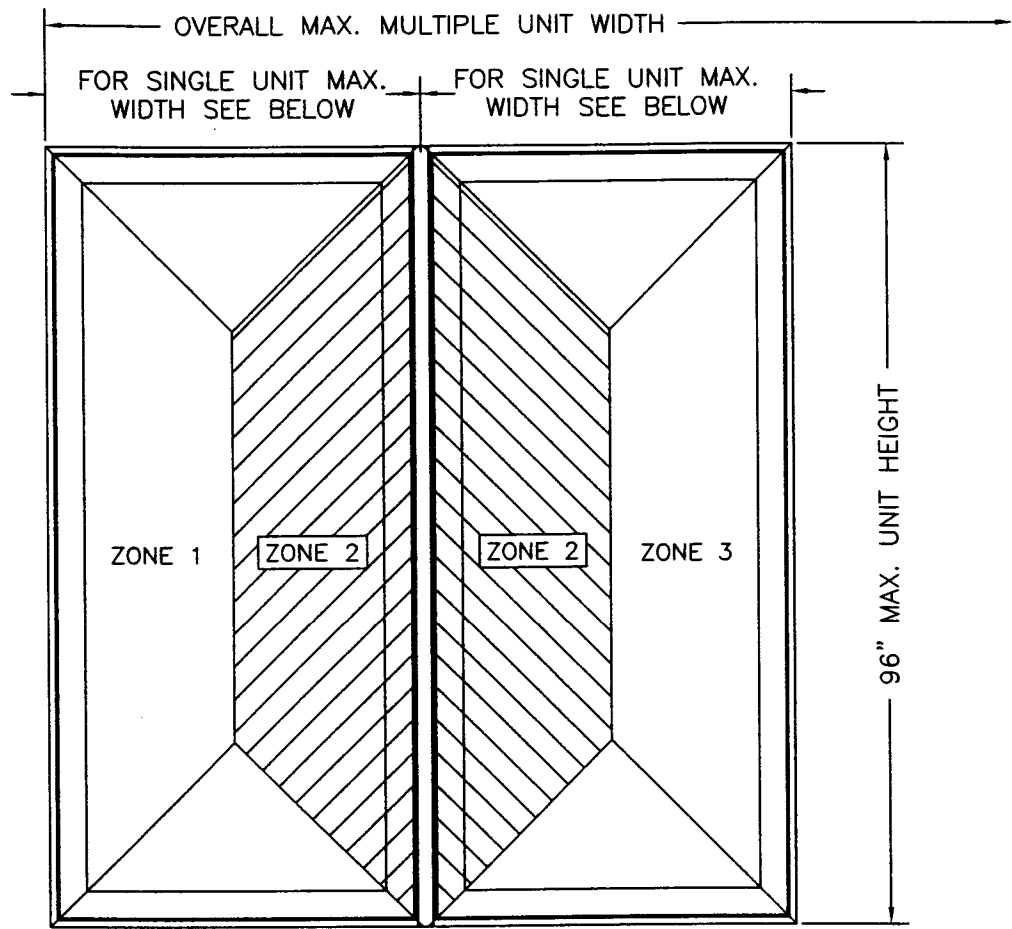


PRODUCT:
SEARS SERIES 7000 EXTRUDED
VINYL MULLED WINDOW
UNITS W/REINFORCEMENT
PART OR ASSEMBLY:
MULL & REIN. PROFILES
AND GENERAL NOTES

NO.	DATE	BY	REVISIONS

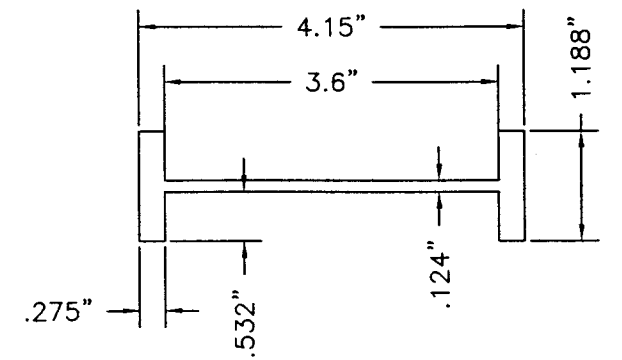
RW BUILDING
CONSULTANTS, INC.
813.659.9197

DATE: 10/14/02
SCALE: N.T.S.
DWG. BY: TJH
CHK. BY: RW
DRAWING NO.: SR-113-OC
SHEET 1 OF 3

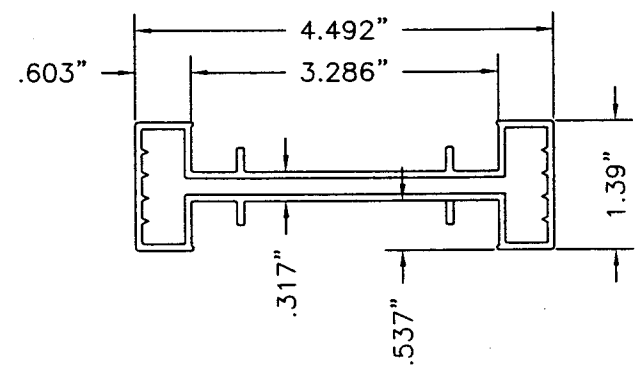


MAXIMUM SINGLE WINDOW WIDTH	
WINDOW TYPE	WINDOW WIDTH
DOUBLE HUNG	52"
CASEMENT	36"

MULLION TRIBUTARY WIDTH = ZONE 2 WIDTH



LARGE MULL REINFORCEMENT #16991
ALUMINUM 6063-T5



ALL RETROFIT H-MULLION
LARGE VINYL MULLION COVER #VPI-354
EXTRUDED VINYL .071" MIN.

	OVERALL SINGLE UNIT WIDTH	52"	48"	42"	36"	32"	28"	24"
OVERALL UNIT HEIGHT								
74"		60.0	65.0	70.0	65.0	65.0	65.0	65.0
72"		65.0	70.0	70.0	65.0	65.0	65.0	65.0
68"		70.0	70.0	70.0	65.0	65.0	65.0	65.0
64"		70.0	70.0	70.0	70.0	70.0	70.0	70.0
60"		70.0	70.0	70.0	70.0	70.0	70.0	70.0
56"		70.0	70.0	70.0	70.0	70.0	70.0	70.0
52"		70.0	70.0	70.0	70.0	70.0	70.0	70.0
48"		75.0	75.0	75.0	75.0	75.0	75.0	75.0
44"		75.0	75.0	75.0	75.0	75.0	75.0	75.0
40"		75.0	75.0	75.0	75.0	75.0	75.0	75.0

Handwritten signature

October 15, 2002

Lyndon F. Schmidt
Florida P. E. No. 43409
19506 French Lace Drive
Lutz, FL 33558

Sears Home Improvement Products
1024 Florida Central Parkway
Longwood, FL 32750
PH. 800.222.5030
Fax. 407.332.8216

SEARS 7000 SERIES
LARGE REINFORCED
VINYL MULLION, FOR
ALL RETROFIT UNITS

RW BUILDING
CONSULTANTS, INC.
813.659.9197

DATE: 10/14/02

SCALE: N.T.S.

DWG. BY: TJH

CHK. BY: RW

DRAWING NO.: SR-113-OC

SHEET 2 OF 3

RW

October 15, 2002

Lyndon F. Schmidt
 Florida P. E. No. 43409
 19506 French Lace Drive
 Lutz, FL 33558

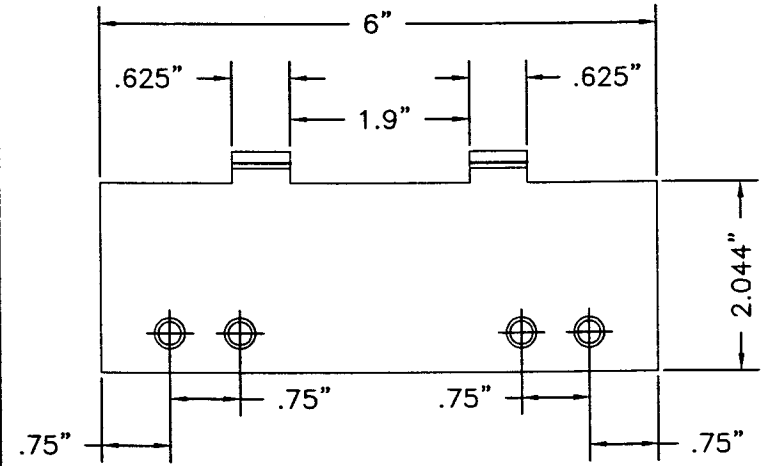
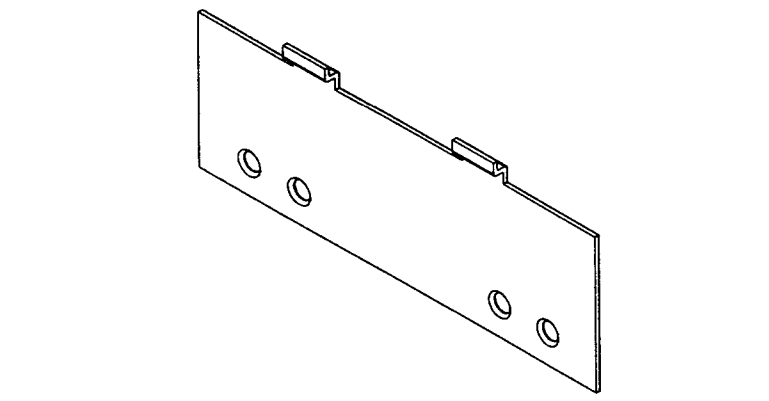
Sears Home Improvement Products
 1024 Florida Central Parkway
 Longwood, FL 32750
 PH. 800.222.5030
 Fax. 407.332.8216



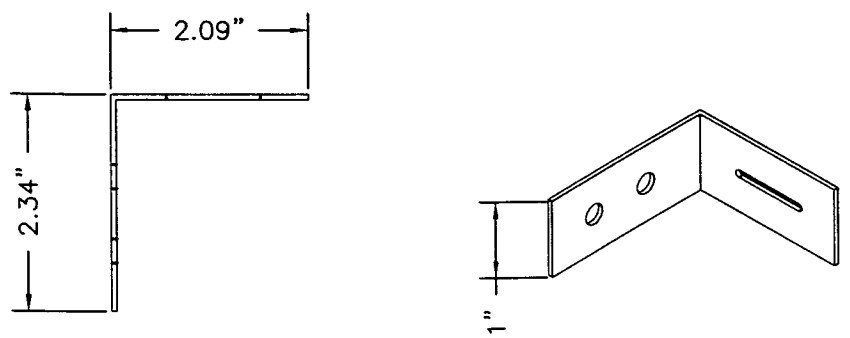
SEARS 7000 SERIES
 LARGE REINFORCED VINYL
 MULL, ANCHORING, BASE
 PLATE & L-BRACKET DETAILS

RW BUILDING
 CONSULTANTS, INC.
 813.659.9197

DATE: 10/14/02
 SCALE: N.T.S.
 DWG. BY: TJH
 CHK. BY: RW
 DRAWING NO.: SR-113-0C
 SHEET 3 OF 3



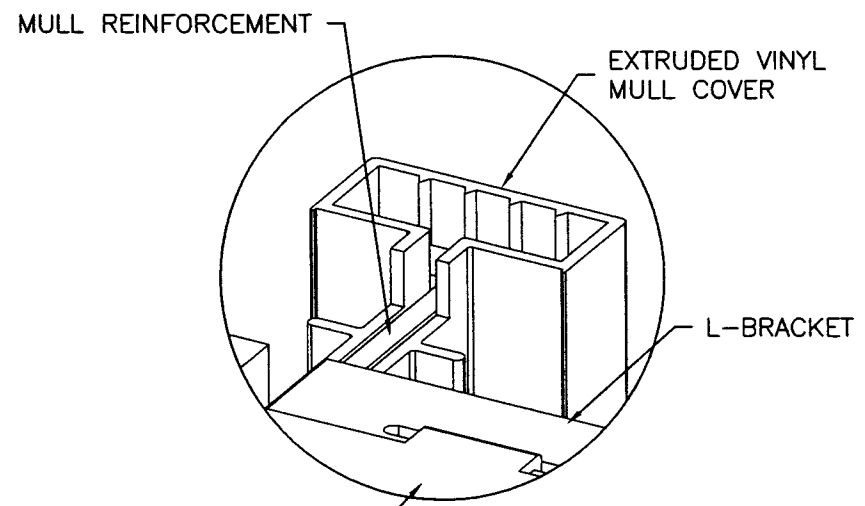
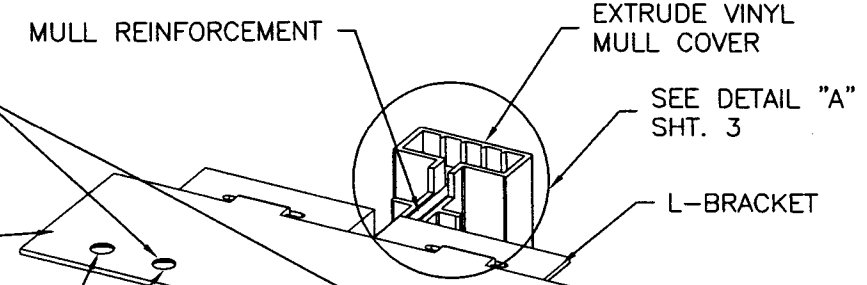
REINFORCEMENT BASE PLATE DETAIL
 .060" MIN. STEEL



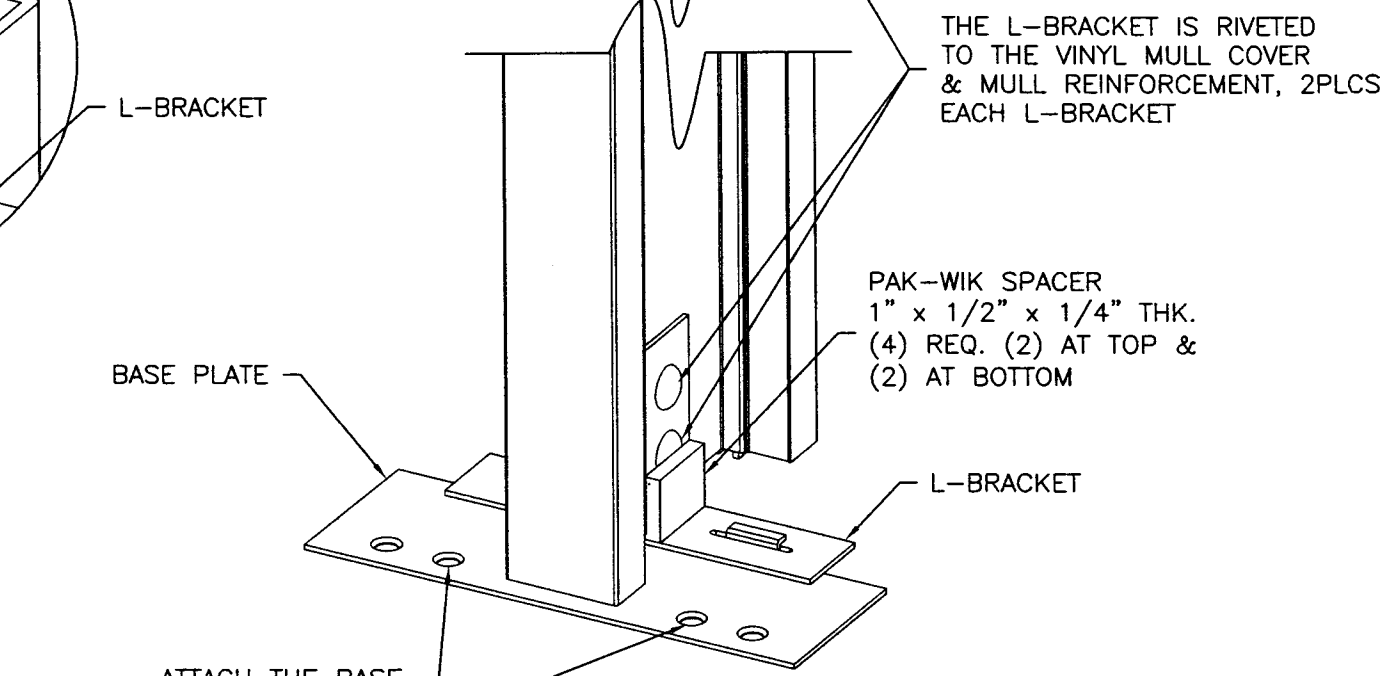
REINFORCEMENT L-BRACKET
 0.076" MIN. STAINLESS STEEL

1X BUCK TO MASONRY ATTACH
 THE BASE PLATE TO THE
 MASONRY HEAD W/ (2) 2"
 x 1/4" MIN. TAPCON
 TYPE ANCHORS

2X BUCK TO MASONRY ATTACH
 THE BASE PLATE TO THE 2X
 BUCK AT THE HEAD W/
 (4) #10 x 1 1/2" SHEET
 METAL SCREWS, TYP.



DETAIL "A"



ATTACH THE BASE
 PLATE TO THE MASONRY
 SILL W/ (2) 2" x 1/4"
 MIN. TAPCON TYPE ANCHORS

ASSEMBLED MULL AND ATTACHMENT VIEW

THE L-BRACKET IS RIVETED
 TO THE VINYL MULL COVER
 & MULL REINFORCEMENT, 2PLCS
 EACH L-BRACKET

PAK-WIK SPACER
 1" x 1/2" x 1/4" THK.
 (4) REQ. (2) AT TOP &
 (2) AT BOTTOM

NOTES:

1. SEE THE MANUFACTURES ATTACHMENT INSTRUCTION FOR ATTACHING THE REINFORCED MULL TO THE TO THE WINDOW UNITS.
2. TAPCON ANCHORS SHALL BE ELCO (395 lb. MIN. SHEAR) OR EQUAL. A MINIMUM 1 1/4" EMBEDMENT INTO MASONRY IS REQUIRED.