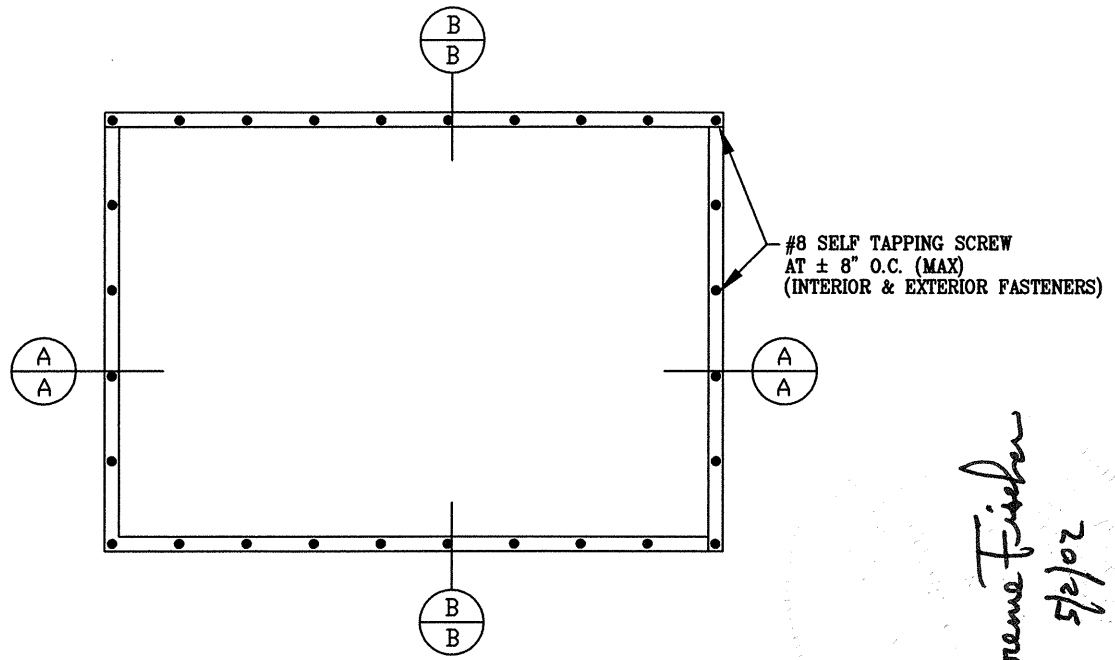
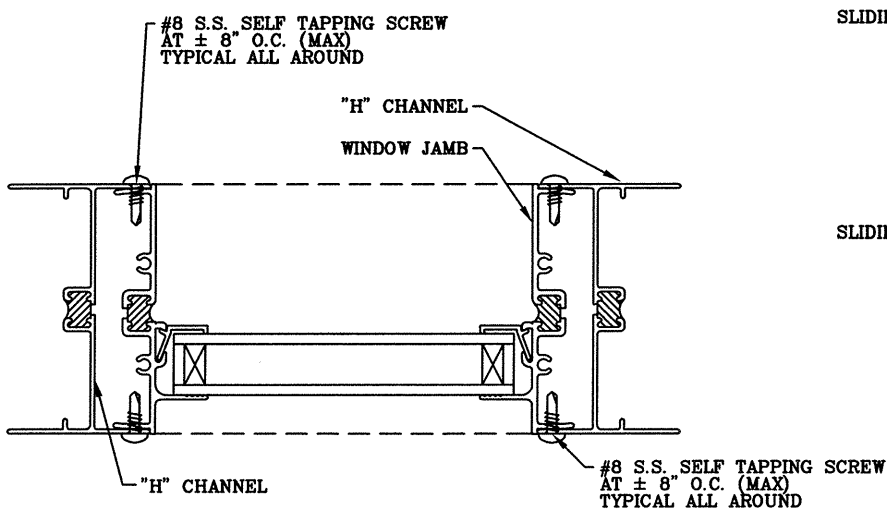


FOUR SEASONS THERMALLY IMPROVED ALUMINUM PICTURE WINDOW

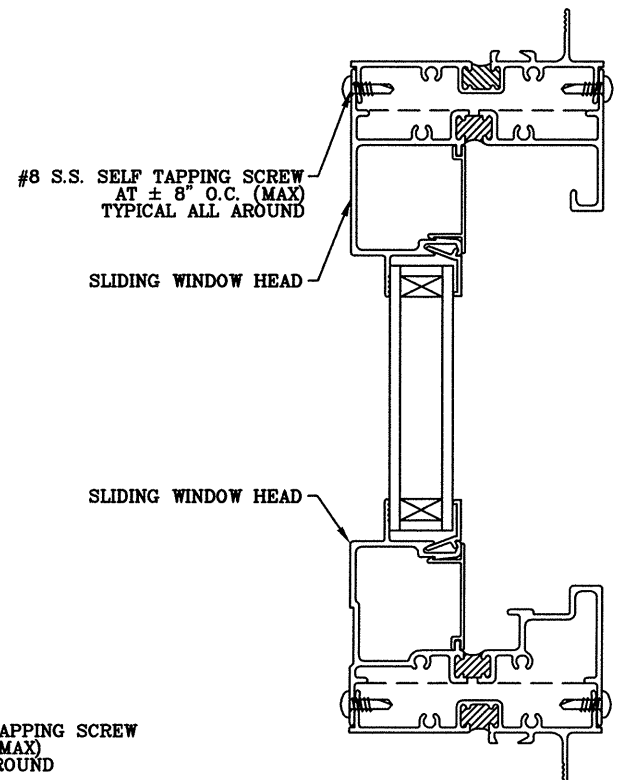


1 PLAN VIEW

Lawrence Fisher
5/2/02



A-A WINDOW SECTION



B-B SIDE DETAIL

STRUCTURAL TEST PRESSURE ±60.0 psf

DRAWN BY: TW
CHECKED BY:
DATE: 05-01-02

SCALE: NTS
DWG. #:
PAGE OF



FOUR SEASONS SOLAR PRODUCTS, LLC.
5005 VETERANS MEMORIAL HIGHWAY
HOLBROOK, NEW YORK 11741
DESIGNERS AND MANUFACTURERS OF FOUR SEASONS SUNROOMS

| REVISION | BY |
|----------|----|
| | |
| | |
| | |