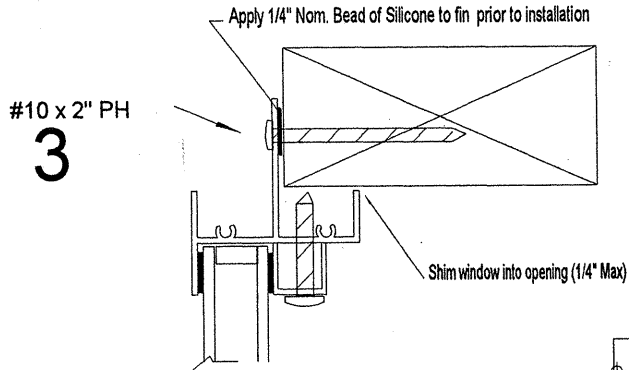


Engineering Design Investigation Reports
Special Inspector Services Registered in Florida

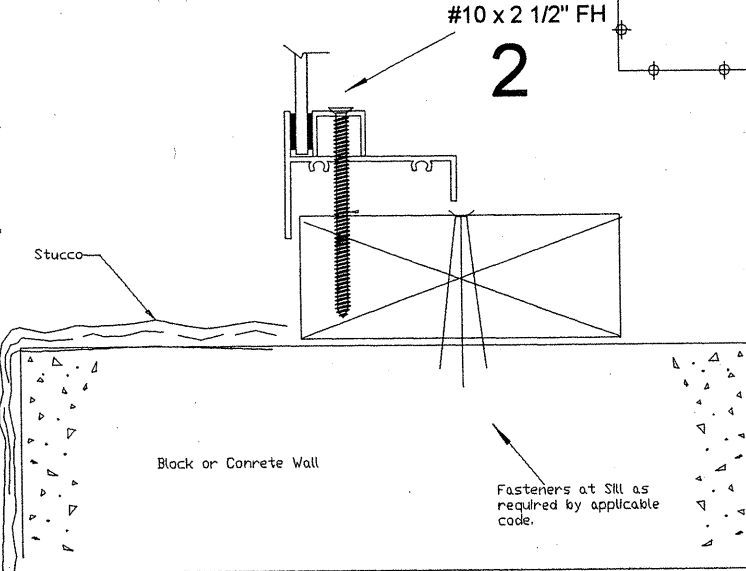
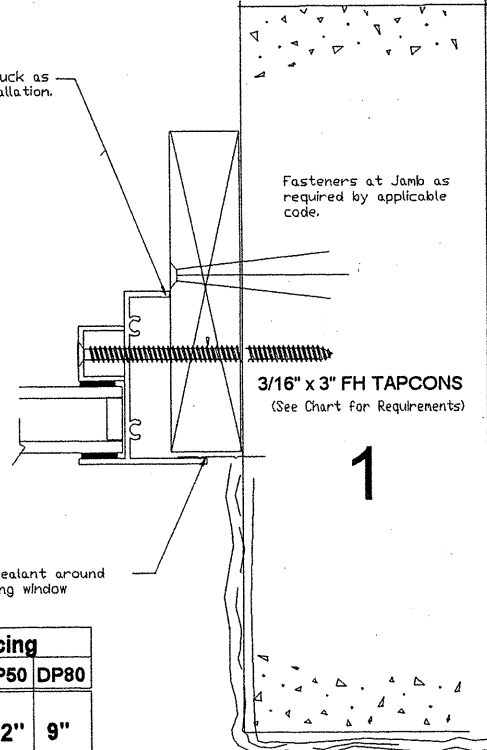
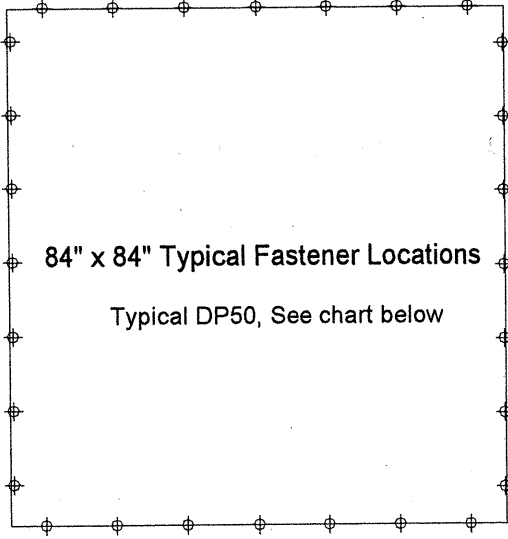
RAMESH PATEL, P.E.

Consulting Engineer

P.O. Box 6695 (33807-6695) Daytona: 386-255-3245
5300 South Florida Avenue G-8 Tampa: 813-681-6844
Lakeland, FL 33813 Phone: 863-646-0919 Orlando: 407-422-6536
Fax: 863-646-7801




Ramesh Patel P.E.
3/29/04



Place 3/8" nominal bead of sealant around face of buck before installing window with attached flange.

Window Fastener Requirements		Spacing		
		DP30	DP50	DP80
1	For 1x Buck, use 3/16" x 3" FH TAPCONS 6" from each corner and spaced per DP	18"	12"	9"
2	For 2x Buck, use #10 x 2 1/2" FH Screws 6" from each corner and spaced per DP	18"	12"	9"
3	For Fin, use #10 x 2" PH Screws 6" from each corner and spaced per DP	18"	12"	9"

 Specialty Windows of Florida, Inc.
5520 Industrial Blvd.
Pensacola, Florida 32583

Name: _____

Drawn by: **R. Bradley** Date: **03/27/2002**

Part DWG No. **Series 100 Installation**