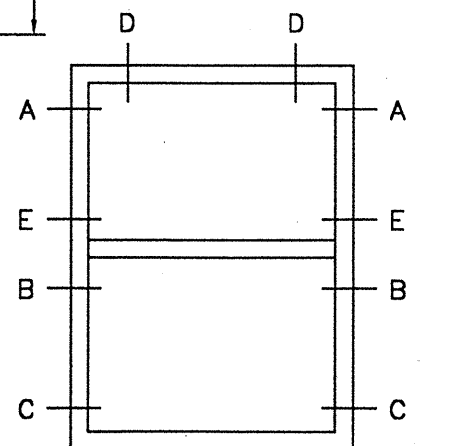
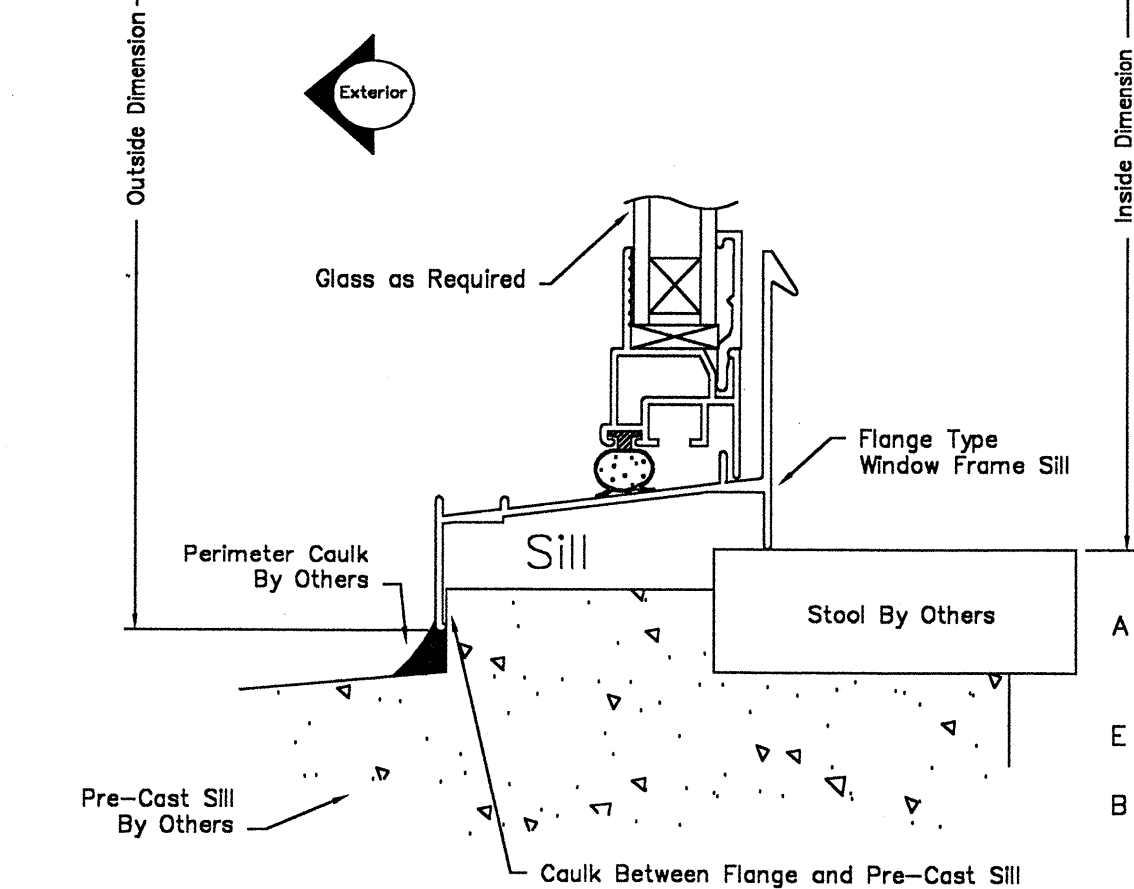
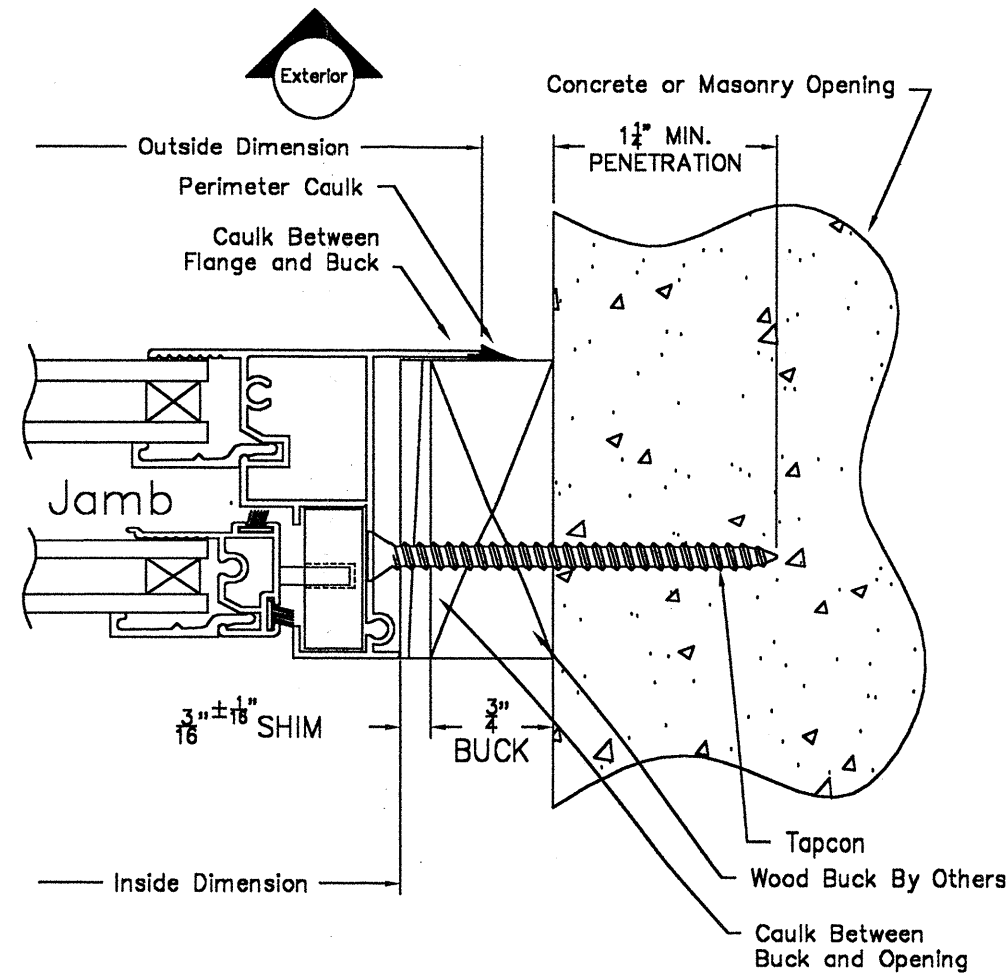
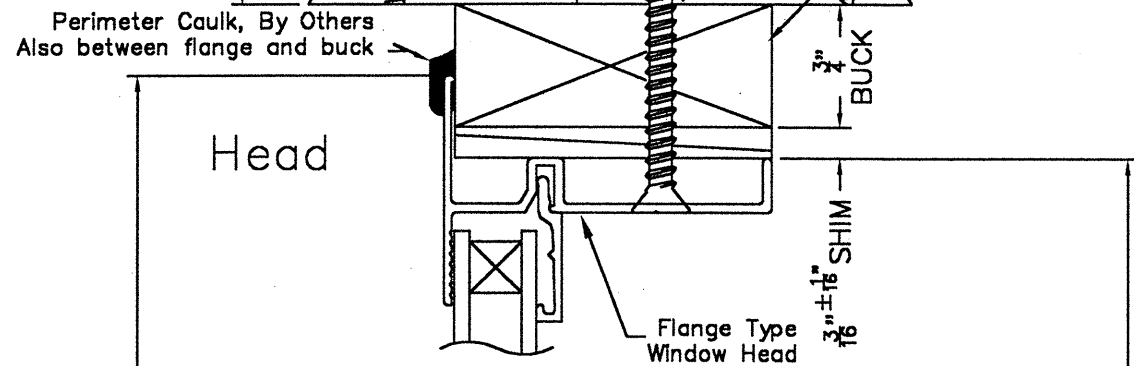
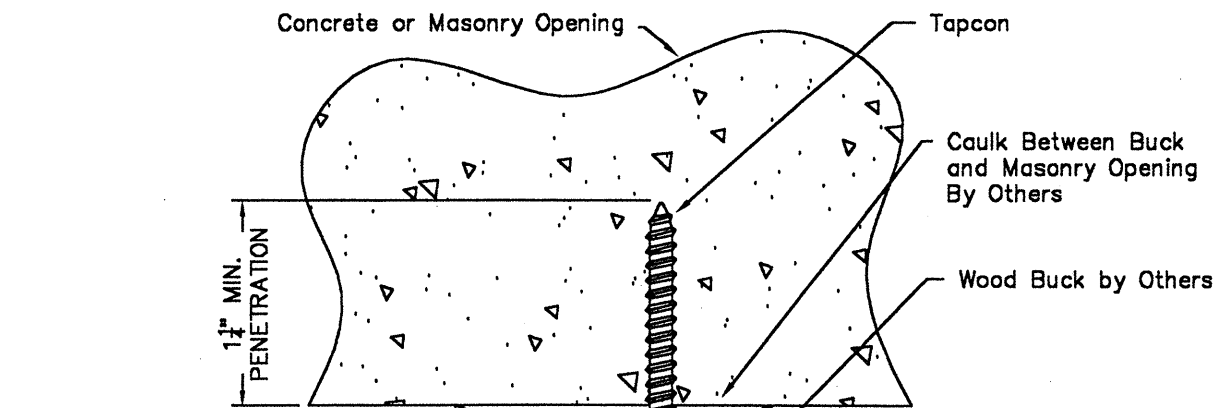


1. Shim as required at each installation anchor as shown, with load bearing shim.
2. Anchor must be of sufficient length to provide 1 1/4" min. embedment into masonry or concrete.
3. Caulk between window flange and buck.
4. Caulk full perimeter of window.
5. If exact window size is not given, use anchor quantity for next larger window in chart.
6. Glass thickness will vary with window size and design load, and must comply with ASTM E1300.
7. Letter designations on the tapcon* location chart indicate where anchors are to be installed using the elevation as a key.
8. All factory applied holes not designated for tapcon* should be filled with #8 screws of sufficient lth. to provide 5/8" min. embedment into wood buck.



EXTERIOR ELEVATION

TAPCON* LOCATION CHART			
CODE SIZE	WINDOW ID SIZE	TAPCON* LOCATIONS	
		DP36 TO DP52	DP52.1 TO DP70.8
12	18 1/8 x 25	A, C	A, C
13	18 1/8 x 37 3/8	A, C	A, C
14	18 1/8 x 49 5/8	A, C	A, C
15	18 1/8 x 62	A, C	A, B, C
16	18 1/8 x 71 1/4	A, C	A, B, C
1/2 32	25 1/2 x 25	A, C	A, C
1/2 33	25 1/2 x 37 3/8	A, C	A, C
1/2 34	25 1/2 x 49 5/8	A, C	A, B, C
1/2 35	25 1/2 x 62	A, B, C	A, B, C
1/2 36	25 1/2 x 71 1/4	A, B, C	A, B, C
22	36 x 25	A, C	A, C
23	36 x 37 3/8	A, C	A, B, C
24	36 x 49 5/8	A, B, C	A, B, C
245	36 x 55 1/4	A, B, C	A, B, C
25	36 x 62	A, B, C	A, B, C
26	36 x 71 1/4	A, B, C	A, B, C, D
32	52 1/8 x 25	A, C	A, C
33	52 1/8 x 37 3/8	A, C	A, B, C
34	52 1/8 x 49 5/8	A, B, C	A, B, C
345	52 1/8 x 55 1/4	A, B, C	A, B, C, D
35	52 1/8 x 62	A, B, C	A, B, C, D
36	52 1/8 x 71 1/4	A, B, C, D	A, B, C, D, E

TAPCON TYPE HARDENED MASONRY SCREWS INCLUDE TAPCON, RAWL, & SIMPSON

Design Pressure values listed above are in PSF

TITLE: INSTALLATION INSTRUCTIONS & FASTENER SCHEDULE

PRODUCT: 165 FLANGE SINGLE HUNG

DRAWN BY: S.W.	DATE: 1/15/02
CHECKED:	DATE:
SCALE: NONE	SHEET: 1 OF 1
DWG. NO. INST165	REV. -

