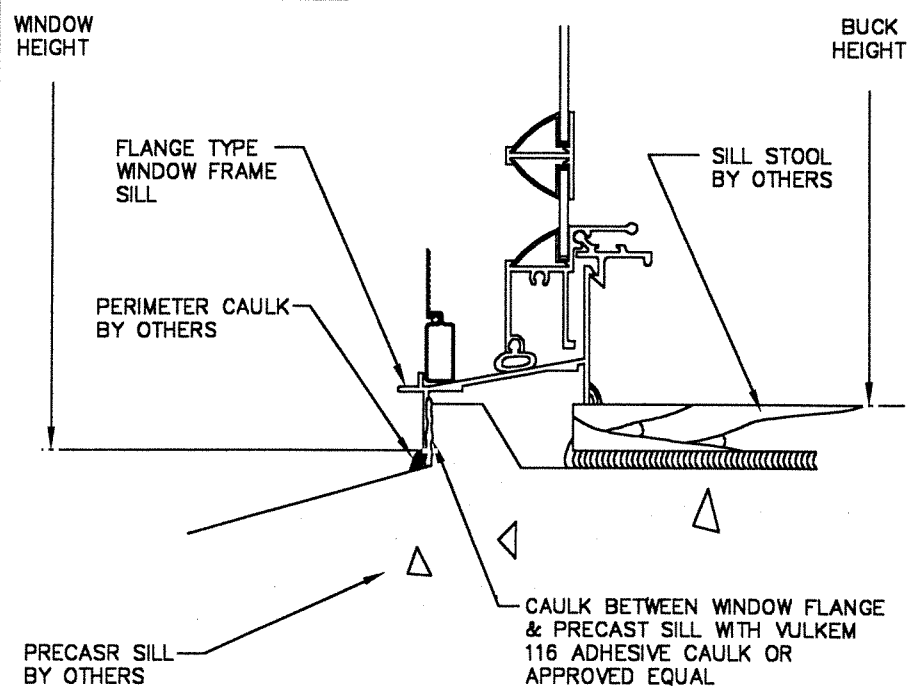


COMPARATIVE ANALYSIS & TAPCON ANCHOR LOCATION CHART

CALL SIZE	WINDOW SIZE (INCHES) WIDTH/HEIGHT	DESIGN PRESSURE CAPACITY IN PSF		TAPCON ANCHOR LOCATIONS	
		EXTERIOR	INTERIOR	HEAD	JAMBS
12	19 1/8 X 26	99	99	B	F,G
13	19 1/8 X 38 3/8	78	78	B	F,G
14	19 1/8 X 50 5/8	59	59	B	F,G
14+4	19 1/8 X 54 5/8	54	54	B	F,G
14+5	19 1/8 X 55 5/8	52	52	B	F,G
15	19 1/8 X 63	45	45	B	F,G
16	19 1/8 X 72	40	40	B	F,G
1H2	26 1/2 X 26	61	61	B	F,G
1H3	26 1/2 X 38 3/8	51	51	B	F,G
1H4	26 1/2 X 50 5/8	44	44	B	F,G
1H4+4	26 1/2 X 54 5/8	42	42	B	F,G
1H4+5	26 1/2 X 55 5/8	41	41	B	F,G
1H5	26 1/2 X 63	40	40	B	F,G
1H6	26 1/2 X 72	40	40	B	F,G
30X2	30 1/2 X 26	56	56	B	F,G
30X3	30 1/2 X 38 3/8	44	44	B	F,G
30X4	30 1/2 X 50 5/8	40	40	B	F,G
30X4+4	30 1/2 X 54 5/8	40	40	B	F,G
30X4+5	30 1/2 X 55 5/8	40	40	B	F,G
30X5	30 1/2 X 63	40	40	B	F,G
30X6	30 1/2 X 72	40	40	B	F,G,H,I
22	37 X 26	51	51	B	F,G
23	37 X 38 3/8	40	40	B	F,G
24	37 X 50 5/8	40	40	B	F,G
24+4	37 X 54 5/8	40	40	B	F,G
24+5	37 X 55 5/8	40	40	B	F,G
25	37 X 63	40	40	B	F,G,H,I
26	37 X 72	40	40	B	F,G,H,I
4826	48 X 26	46	46	B	F,G
4838	48 X 38 3/8	40	40	B	F,G
4850	48 X 50 5/8	40	40	B	F,G
484+4	48 X 54 5/8	40	40	B	F,G,H,I
484+5	48 X 55 5/8	40	40	B	F,G,H,I
4863	48 X 63	40	40	B	F,G,H,I
4872	48 X 72	40	40	B	F,G,H,I
32	53 1/8 X 26	45	45	B	F,G
33	53 1/8 X 38 3/8	40	40	B	F,G
34	53 1/8 X 50 5/8	40	40	B	F,G,H,I
34+4	53 1/8 X 54 5/8	40	40	B	F,G,H,I
34+5	53 1/8 X 55 5/8	40	40	B	F,G,H,I
35	53 1/8 X 63	40	40	B	F,G,H,I
36	53 1/8 X 72	40	40	B	F,G,H,I

NOTE:
 1) WHERE WATER RESISTANCE TEST REQUIREMENT OF 15% OF DESIGN LOAD APPLIES, POSITIVE DESIGN LOADS WILL BE LIMITED TO 40.0 PSF DUE TO WATER TEST PRESSURE OF 6.0 PSF ACHIEVED IN TEST.
 2) INSTALLATION: FLANGE FRAME WINDOW IN CONCRETE OR MASONRY OPENING USE 3/16" DIA. TAPCON ANCHORS OF SUFFICIENT LENGTH TO PROVIDE MIN. 1-1/4" EMBEDMENT INTO SUBSTRATE AT LOCATIONS SHOWN ON CHART.
 3) SEE ELEVATION FOR KEY TO TAPCON LOCATIONS.
 4) INSTALL #8 SCREWS OF SUFFICIENT LENGTH TO PROVIDE 3/4" MIN. EMBEDMENT INTO WOOD BUCK AT ALL OTHER FACTORY APPLIED INSTALLATION HOLES.
 5) IF EXACT WINDOW SIZE IS NOT LISTED IN ANCHOR CHART, USE ANCHOR QUANTITY LISTED WITH NEXT LARGER SIZE, FOR THE APPROPRIATE DESIGN PRESSURE REQ'D.



SECTION 1

ELEVATION VIEWED FROM EXTERIOR

- GENERAL NOTES:**
- 1) SHIM AS REQ'D. AT EACH INSTALLATION ANCHOR WITH LOAD BEARING SHIM. MAX. ALLOWABLE SHIM STACK TO BE 1/4".
 - 2) WINDOW FRAME MATERIAL: ALUMINUM ALLOY 6063.
 - 3) USE LATEX CAULK BEHIND WINDOW FLANGE AT HEAD & JAMBS. SILL MUST BE ATTACHED TO THE SUBSTRATE WITH VULKEM 116 ADHESIVE CAULK OR APPROVED EQUAL.
 - 4) APPLICATION OF VULKEM 116 ADHESIVE CAULK AT FRAME SILL MUST COMPLY WITH SEALANT MANUFACTURER'S RECOMMENDATIONS.
 - 5) USE LATEX CAULK FOR PERIMETER SEAL AROUND EXTERIOR OF WINDOW FLANGE.
 - 6) GLASS THICKNESS MAY VARY PER THE REQUIREMENTS OF ASTM E1300 GLASS CHARTS. SINGLE GLAZING IS SHOWN, INSULATING GLASS IS ALSO QUALIFIED.
 - 7) GENERAL ALUMINUM'S 1440 SERIES SINGLE HUNG IS SHOWN. THIS PRINT ALSO APPLIES TO THE 1540 INSULATING GLASS SINGLE HUNG SERIES.

Handwritten: 02-20-02

1001 W. Crosby Rd. • Carrollton, TX 75006 • P.O. Box 819022 • Dallas, TX 75381

DRAWING DESCRIPTION			
ASSEMBLY DRAWING			
SERIES 1440/1540 TDL SINGLE HUNG WINDOW			
DRAWN BY	CHKD. BY	SCALE	
BB		N/A	
COLOR	DATE	DWG NUMBER	
	10/26/01	B	GEN-0012
DATE	SYM	REVISION	BY ECN