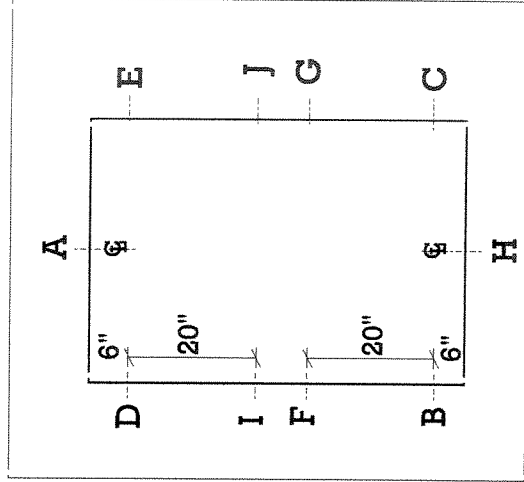


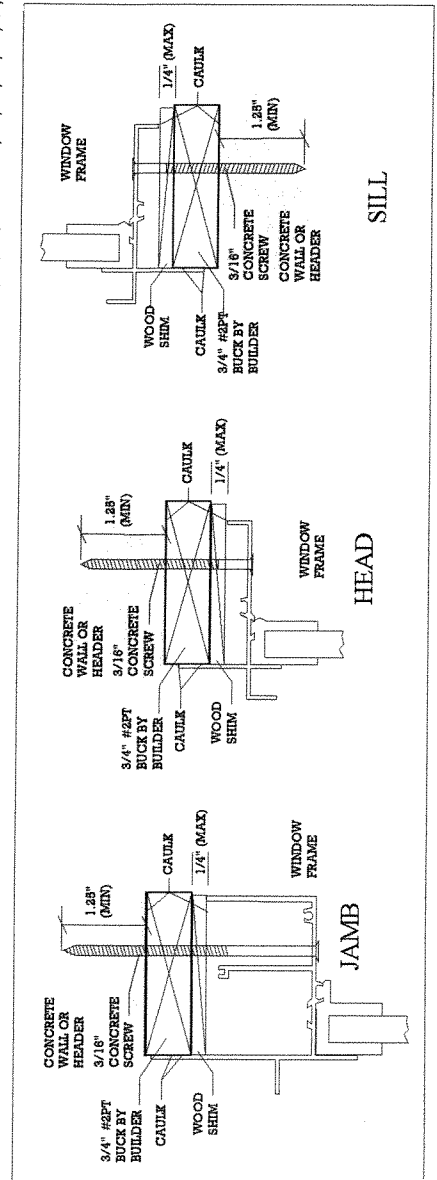
**BUILDER'S CHOICE WINDOW AND DOOR**  
 LOCATIONS FOR WINDOW FASTENING TO CONCRETE  
 SERIES 1000 ALUMINUM PICTURE WINDOW (FIXED GLASS)

CODE	WINDOW DIMENSIONS inches	CONCRETE SCREW LOCATIONS (3/16 DIA SCREWS, SEE FIGURES 1 AND 2)		
		40 psf	50 psf	90 psf
2020	23.5 x 23.5	A, B, C	A, B, C	A, B, C
2030	23.5 x 35.5	A, B, C	A, B, C	B, C, D, E
2040	23.5 x 47.5	B, C, D, E	B, C, D, E	B, C, D, E
2050	23.5 x 59.5	B, C, D, E	B, C, D, E, F, G	B, C, D, E, F, G
2060	23.5 x 71.5	B, C, D, E	B, C, D, E, F, G	B, C, D, E, F, G
3020	35.5 x 23.5	A, B, C	A, B, C	A, B, C
3030	35.5 x 35.5	A, B, C	A, B, C	B, C, D, E
3040	35.5 x 47.5	B, C, D, E	B, C, D, E	B, C, D, E
3050	35.5 x 59.5	B, C, D, E, F, G	B, C, D, E, F, G	B, C, D, E, F, G
3060	35.5 x 71.5	B, C, D, E, F, G	B, C, D, E, F, G	A, B, C, D, E, F, G, H
4020	47.5 x 23.5	A, B, C	A, B, C, H	A, B, C, H
4030	47.5 x 35.5	A, B, C, H	A, B, C, H	A, B, C, H
4040	47.5 x 47.5	A, B, C, H	A, B, C, H	A, B, C, F, G, H
4050	47.5 x 59.5	A, B, C, F, G, H	A, B, C, F, G, H	A, B, C, D, E, F, G, H
4060	47.5 x 71.5	A, B, C, D, E, F, G, H	A, B, C, D, E, F, G, H	A, B, C, D, E, F, G, H
5020	59.5 x 23.5	A, B, C, H	A, B, C, H	A, B, C, H
5030	59.5 x 35.5	A, F, G, H	A, F, G, H	A, B, C, F, G, H
5040	59.5 x 47.5	A, B, C, F, G, H	A, B, C, F, G, H	A, B, C, D, E, F, G, H
5050	59.5 x 59.5	A, B, C, D, E, F, G, H	A, B, C, D, E, F, G, H	A, B, C, D, E, F, G, H, I, J

- ENGINEERING NOTES:
1. WINDOW AND FRAME ENGINEERED BY OTHERS.
  2. WINDOW BUCK SHALL BE INSTALLED IN ACCORD WITH FLORIDA BUILDING CODE SECTION 1707.4.4.2.
  3. DRILL HOLE WITH 5/32" DIA BIT.
  4. 3/16" DIA CONCRETE SCREWS ARE COLD ROLLED STEEL. LENGTH MUST BE SUFFICIENT TO PROVIDE 1-1/4" MINIMUM EMBEDMENT.
  5. SPECIFICATIONS IN TABLE ARE MINIMUM. BUILDER MAY ADD SCREWS TO INCREASE WIND RESISTANCE OF THE FASTENING SYSTEM.
  6. SHIM AS REQUIRED AT INSTALLATION FOR BOTH CONCRETE SCREWS AND WOOD SCREWS.
  7. CAULKING REQUIRED AT PERIMETER OF WINDOW AND BETWEEN FLANGE AND BUCK.
  8. FOR WINDOW SIZES DIFFERENT FROM THOSE SHOWN USE NEXT LARGER WINDOW FOR FASTENING SPECIFICATIONS.
  9. HOLES IN FLANGE THAT ARE NOT FILLED WITH CONCRETE SCREWS ARE TO FILLED WITH #8 WOOD SCREWS, PENETRATING BUCK 5/8" MIN.



**FIGURE 2 CONCRETE SCREW FASTENER LOCATIONS FOR 2020, 2030, 2040, 2050, 2060 FIXED GLASS WINDOW FRAME TO CONCRETE BLOCK.**



**FIGURE 2 TYPICAL FASTENING OF WINDOW FRAME TO CONCRETE BLOCK**

Wayne A. Block, P.E. # 52583  
 Lilton Engineering Company, Inc.  
 906 Jan Mar Ct. Ste E  
 Clermont, Florida 34711  
 (352) 394-2590 Ph. & FAX

*[Handwritten Signature]*  
 MAR 14 2002