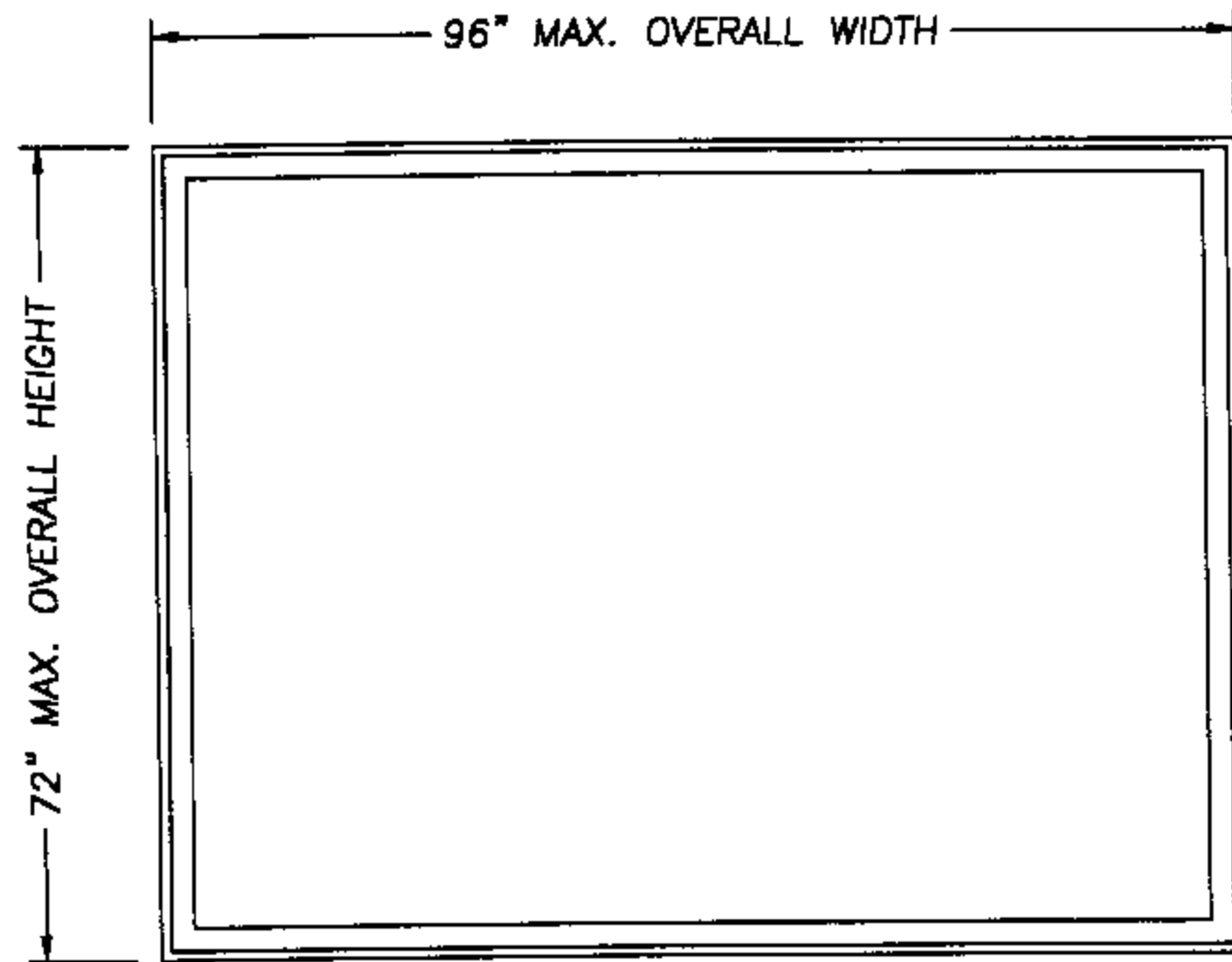


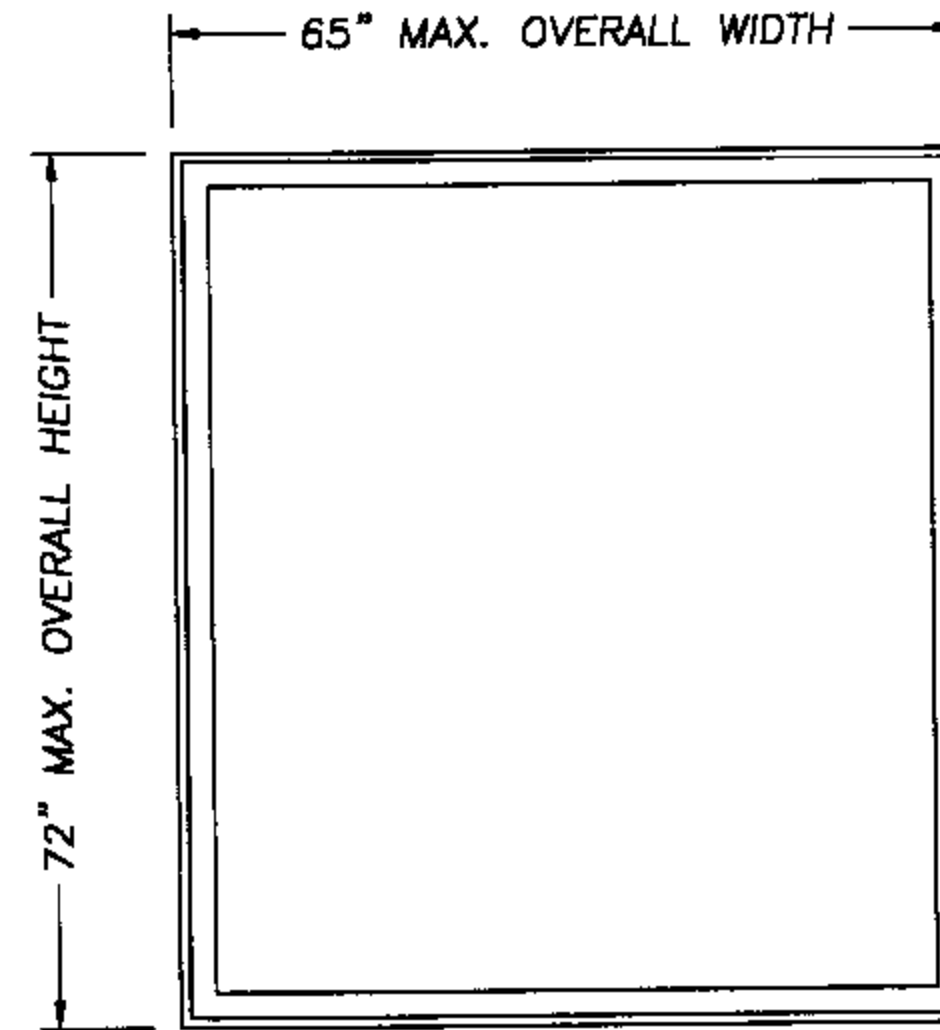
SEARS HOME IMPROVEMENT PRODUCTS

7000 SERIES (AS MFG. BY SIMONTON SERIES 75-75)
EXTRUDED VINYL FIXED FRAME WINDOW



0

DESIGN PRESSURE RATING	
POS. 45.0	NEG. 45.0
1/8" TEMP. - AIR - 1/8" TEMP.	



0

DESIGN PRESSURE RATING	
POS. 45.0	NEG. 45.0
3/16" ANN. - AIR - 3/16" ANN.	

GENERAL NOTES

1. THIS PRODUCT IS DESIGNED TO COMPLY WITH THE FLORIDA BUILDING CODE.
2. PRODUCT ANCHORS SHALL BE AS LISTED AND SPACED AS SHOWN ON DETAILS.
3. WHEN THIS PRODUCT IS USED IN AN AREA REQUIRING WINDBORNE DEBRIS PROTECTION, FLORIDA BUILDING CODE APPROVED IMPACT RESISTANT SHUTTERS ARE REQUIRED.
4. FIXED FRAME ANCHORING TO EXISTING OPENING W/ EXISTING 1X BUCK STRIP TO MASONRY SEE SHEET 2 OF 2.

PRODUCT DESCRIPTION

1. VINYL FIXED FRAME WINDOW WITH MITERED AND WELDED CORNERS.
2. THE HEAD AND SIDE JAMBS ARE EXTRUDED VINYL WITH AN EXTERIOR WALL THICKNESS OF 0.070".
3. ALL FRAME PROFILES ALLOW OPTIONAL INSIDE AND OUTSIDE USE OF UV09 SNAP TRIM.
4. ALL GLASS IS 3/4" INSULATED GLASS. SEE ABOVE FOR INDIVIDUAL UNIT GLASS MAKE-UP.

Lyndon F. Schmidt
DATE: 6/24/02

Lyndon F. Schmidt
Florida P. E. No. 43409
19506 French Lace Drive Lutz, FL 33558

Sears Home Improvement Products
1024 Florida Central Parkway
Longwood, FL 32750
PH. 800.222.5030
Fax. 407.332.8216

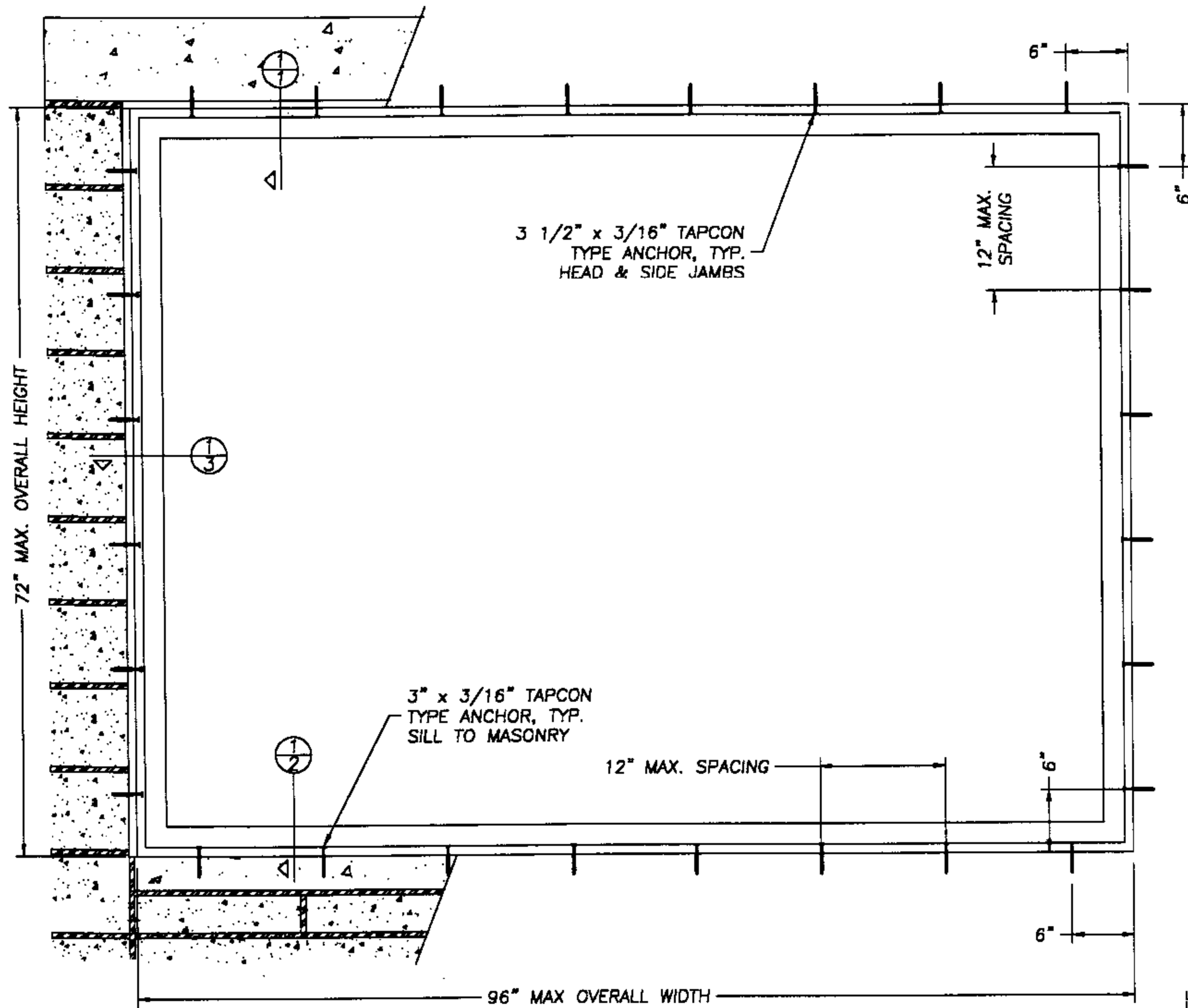


PRODUCT: SEARS
EXTRUDED VINYL
FIXED FRAME WINDOW
PART OR ASSEMBLY:
GENERAL NOTES &
TYPICAL ELEVATIONS

NO.	DATE	BY	REVISIONS

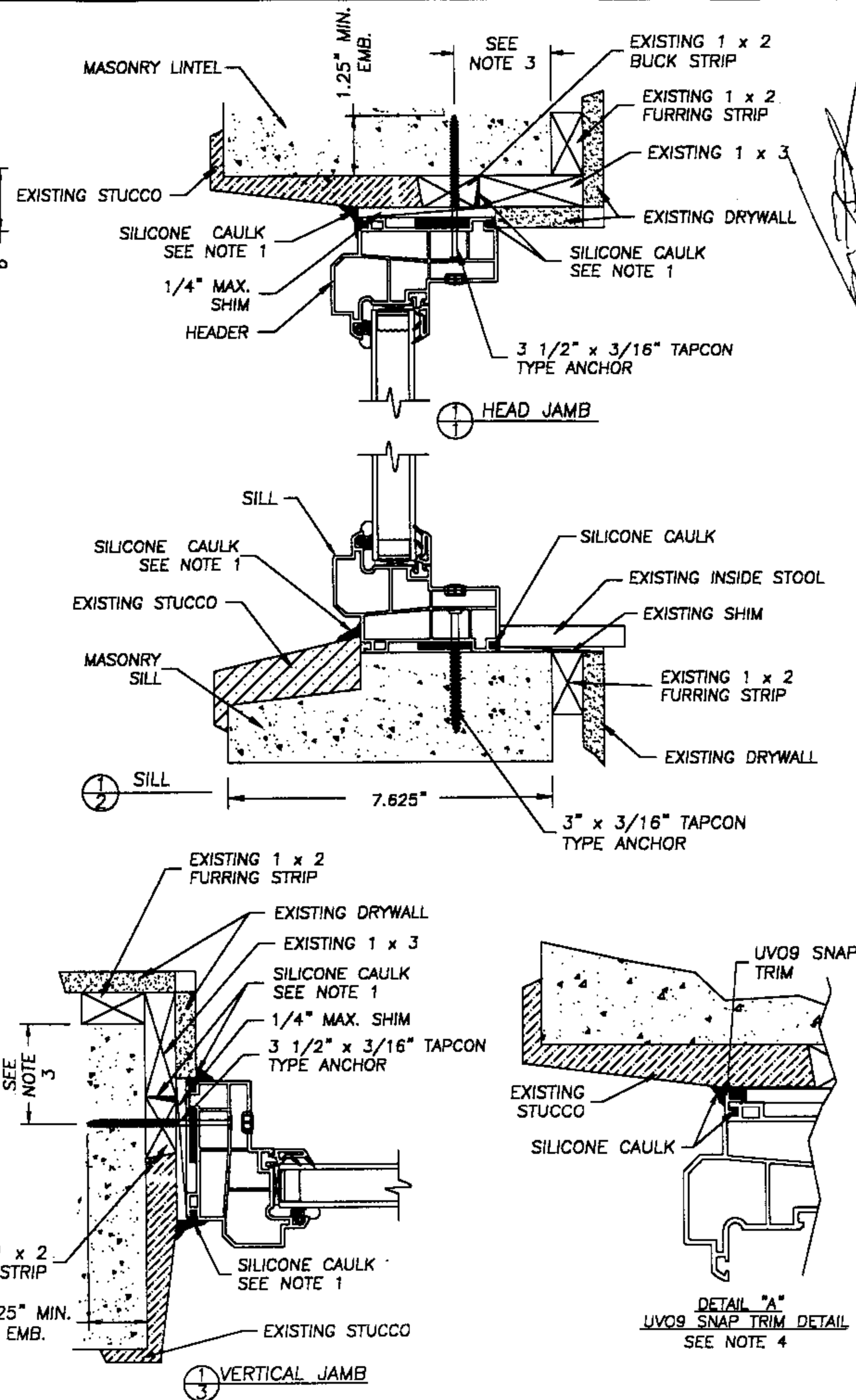
RW BUILDING
CONSULTANTS, INC.
813.659.9197

DATE: 6/24/02
SCALE: N.T.S.
DWG. BY: WLN
CHK. BY: RW
DRAWING NO.:
SR-102-OC
SHEET 1 OF 2



NOTE:

1. All interior and exterior perimeter surfaces of the window must be caulked. Caulk between existing 1 x 2 buck strip and existing 1 x 3.
2. Adjust Tapcon anchor locations, if necessary, to maintain a minimum 2.0" clearance from mortar joints.
3. A minimum clearance of 2.0" from face of masonry must be maintained.
4. The UVO9 Snap Trim is used as needed for cosmetic trim only on the head and side jambs. The trim groove on the frame must be filled with silicone before the trim is snapped into place.



JULY 29, 2002

Lyndon F. Schmidt
Florida P. E. No. 43409
19506 French Lace Drive
Lutz, FL 33558

Sears Home Improvement Products
1024 Florida Central Parkway
Longwood, FL 32750
PH. 800.222.5030
Fax. 407.332.8216

ANCHORING CROSS SECTIONS
EXISTING OPENING W/EXISTING
1X BUCK STRIP TO MASONRY
VINYL FIXED FRAME WINDOW

RW BUILDING
CONSULTANTS, INC.
813.659.9197

DATE: 6/24/02
SCALE: N.T.S.
DWG. BY: WLN
CHK. BY: RW
DRAWING NO.: SR-102-OC
SHEET 2 OF 2