

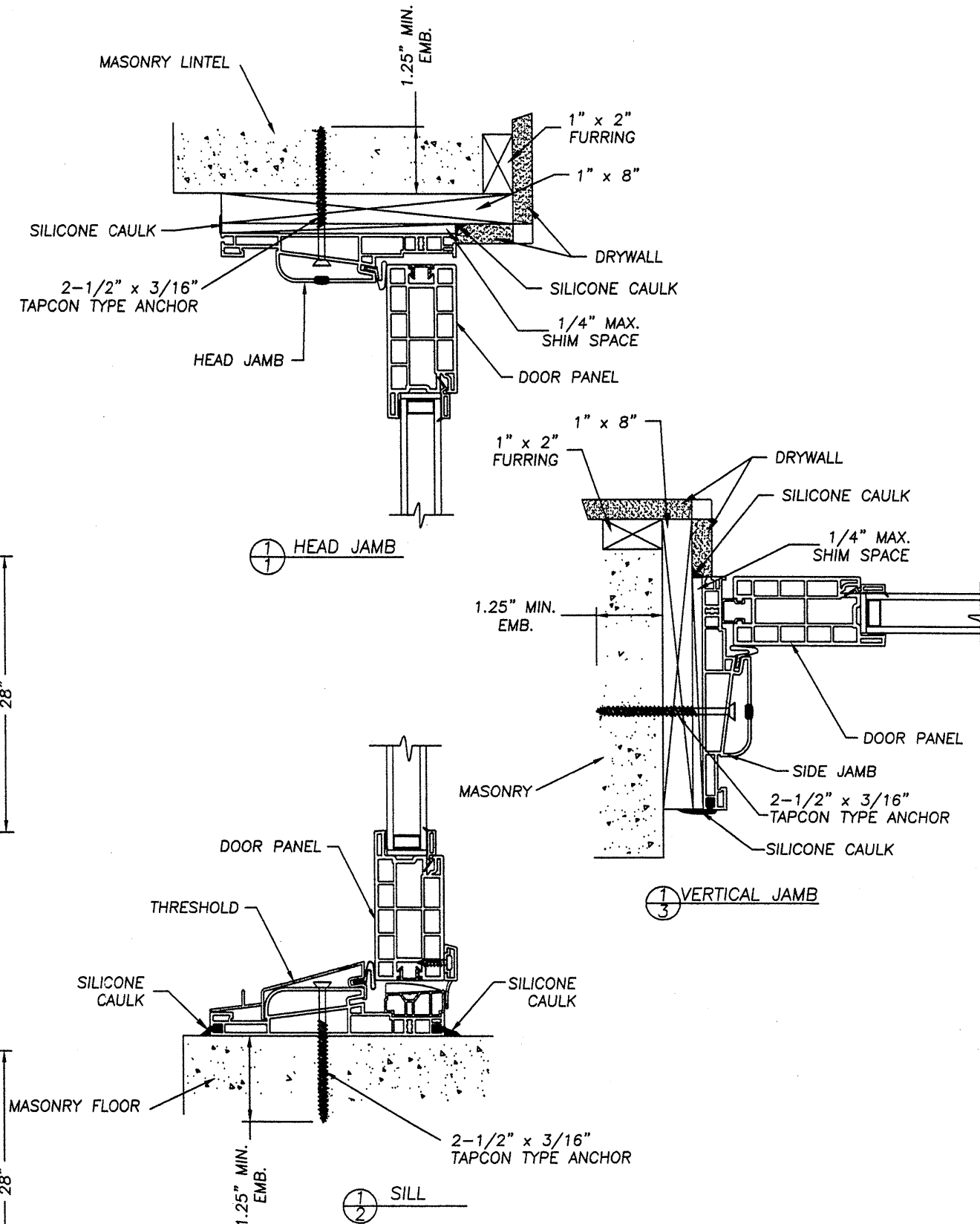
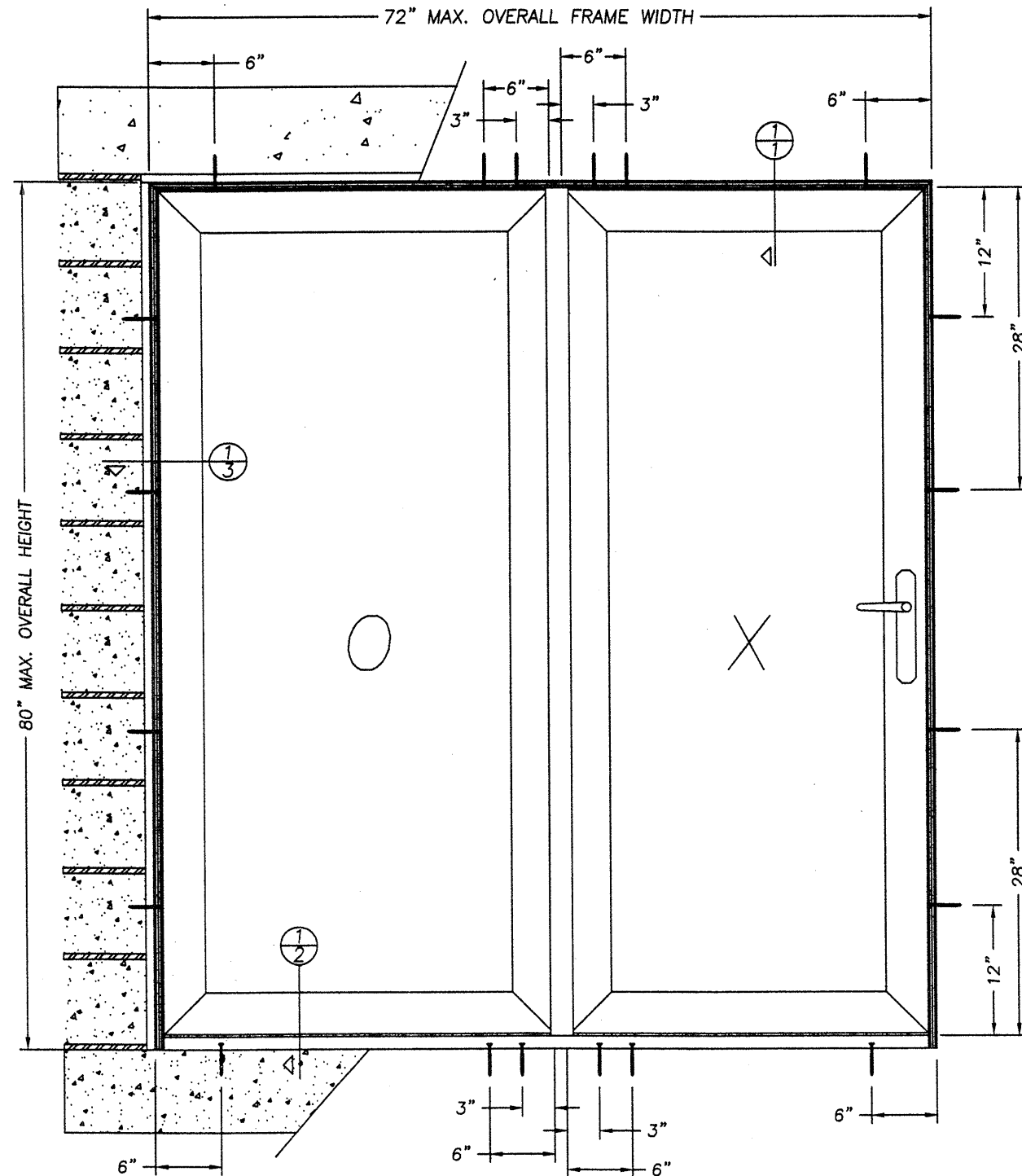
**MODEL DESIGNATION:** Simonton Windows Series 07-70 Vinyl In-Swing Garden Door

**MAXIMUM OVERALL NOMINAL SIZE:** Single up to 72" x 80"

**DESIGN PRESSURE RATING:** Anchors: Positive 50.0 PSF Negative 50.0 PSF  
Doors: Design Pressure Ratings Vary; See Corresponding AAMA Test Report or Dade NOA or Florida P.E. Evaluation.

**USABLE CONFIGURATIONS:** OX, XO

**GENERAL DESCRIPTION:** The head and side jambs are extruded PVC. The wall thickness through which the anchor screw penetrates is a minimum of 0.070".



**NOTE:**

1. This system has been evaluated for use in locations adhering to the Florida Building Code and where pressure requirements as determined by ASCE 7 Minimum Design Loads for Buildings and Other Structures do not exceed the design pressure ratings listed herein.
2. For installations where the sub-buck is less than 1-1/2" (FBC section 1707.4.4 Anchorage Methods and sub-sections 1707.4.4.1 and 1707.4.4.2) Tapcon type concrete anchors must be used and the length must be such that a minimum 1-1/4" engagement of the Tapcon into the masonry wall is obtained.
3. Wall dressing at frame and exterior wall face by others.
4. All interior and exterior perimeter surfaces of the door must be caulked.

*S. 1/10/02*  
Lyndon F. Schmidt  
Florida P. E. No. 43409  
19506 French Lace Drive  
Lutz, FL 33558

Simonton Windows  
One Cochrane Avenue  
Pennsboro, WV 26415  
PH. 800.426.2249

ANCHORING CROSS SECTIONS  
FOR 1x BUCK TO MASONRY  
EXTRUDED VINYL  
GARDEN DOOR

**RW** BUILDING  
CONSULTANTS, INC.  
813.684.3831

DATE: 4/26/02  
SCALE: N.T.S.  
DWG. BY: TJH  
CHK. BY: R.W.  
DRAWING NO.: S-113  
SHEET 1 OF 1