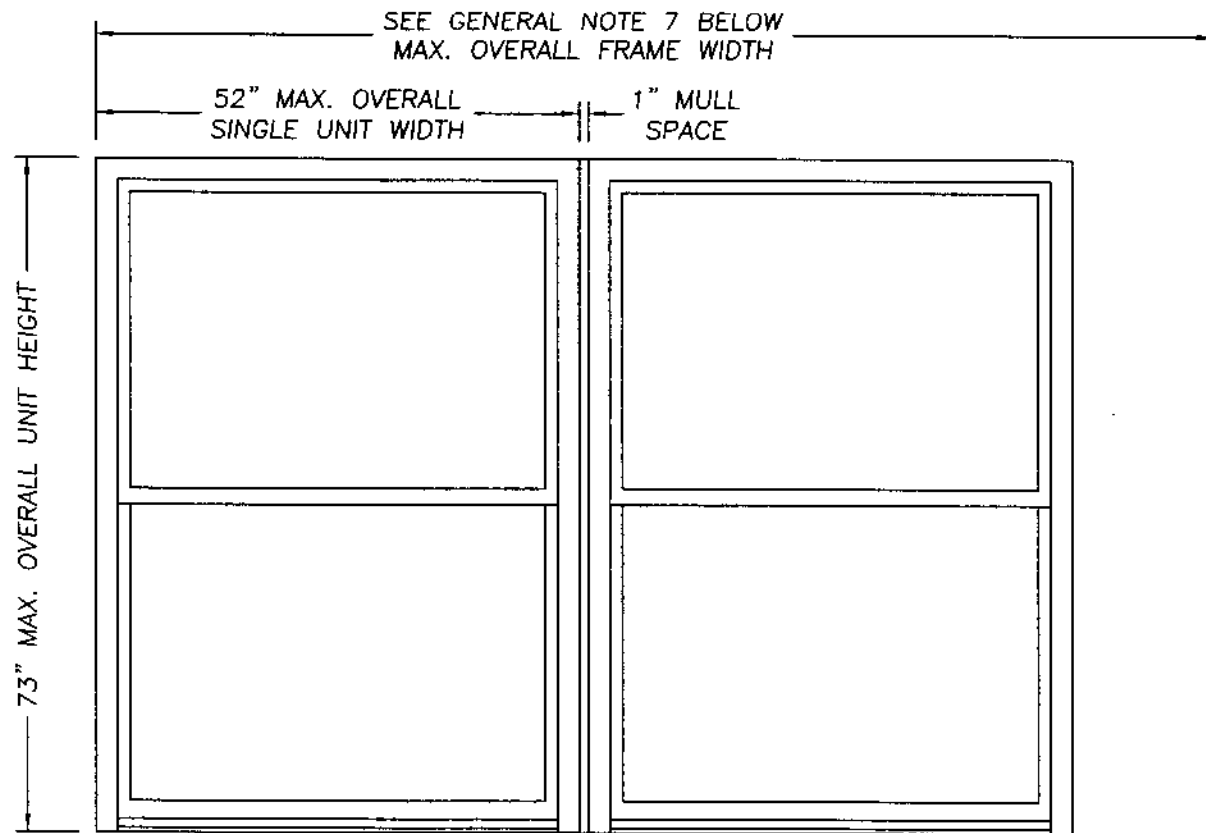


# American Craftsman Windows

2700 SERIES, MODEL 2710

MULLED SINGLE HUNG EXTRUDED VINYL WINDOW W/ALUMINUM MULLION



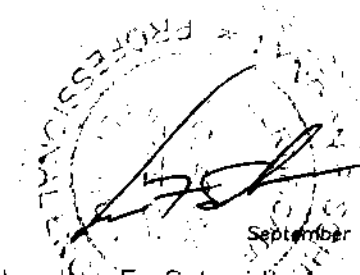
	OVERALL SINGLE UNIT WIDTH	52"	48"	44"	40"	36"
OVERALL UNIT HEIGHT						
73"		+35 -35	+37 -37	+38 -38	+41 -41	+43 -43
72"		+36 -36	+38 -38	+40 -40	+42 -42	+45 -45
68"		+42 -42	+44 -44	+46 -46	+48 -48	+51 -51
64"		+50 -50	+51 -51	+53 -53	+56 -56	+59 -59
62"		+54 -54	+56 -56	+58 -58	+60 -60	+60 -64

### GENERAL NOTES

1. THIS PRODUCT IS DESIGNED TO COMPLY WITH THE FLORIDA BUILDING CODE.
2. PRODUCT ANCHORS SHALL BE AS LISTED AND SPACED AS SHOWN ON DETAILS.
3. WHEN THIS PRODUCT IS USED IN AN AREA REQUIRING WINDBORNE DEBRIS PROTECTION, FLORIDA BUILDING CODE APPROVED IMPACT RESISTANT SHUTTERS ARE REQUIRED.
4. MASONRY ANCHORING FOR 1x BUCK SEE SHEET 2 OF 4.
5. MASONRY ANCHORING FOR 2x BUCK SEE SHEET 3 OF 4.
6. SEE SHEET 4 OF 4 FOR MULLION DETAILS.
7. DOUBLE UNIT SHOWN IN ELEVATION ABOVE. CAN BE CONFIGURED IN MULTIPLE UNITS. SINGLE UNIT WIDTH CAN NOT EXCEED 52" x 73" IN ANY CONFIGURATION.
8. DESIGN PRESSURE CAN NOT EXCEED +60 (LIMITED BY THE SINGLE UNIT WATER TEST).

### PRODUCT DESCRIPTION

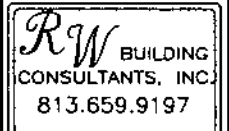
1. VINYL SINGLE HUNG WINDOW WITH MITERED AND WELDED CORNERS.
2. THE HEAD AND SIDE JAMBS ARE EXTRUDED VINYL WITH AN EXTERIOR WALL THICKNESS OF 0.070" +/- 0.008".
3. ALL ACTIVE SASH MEMBERS REINFORCED WITH SOLID ALUMINUM BAR STOCK.
4. THE FIXED MEETING RAIL UTILIZES A ROLLED FORMED STEEL REINFORCEMENT.
5. ALL UNITS USE SILVERLINE MULLION #2711 AND #2712 MULLION COVER. BOTH THE MULLION AND MULLION COVER ARE EXTRUDED 6063-T6 ALUMINUM.
6. USE SILVERLINE ANCHORING PLATE #2713 0.063" ALUMINUM, (2) PER MULLION.

  
 Lyndon F. Schmidt  
 Florida P.E. No. 43409  
 September 20, 2002

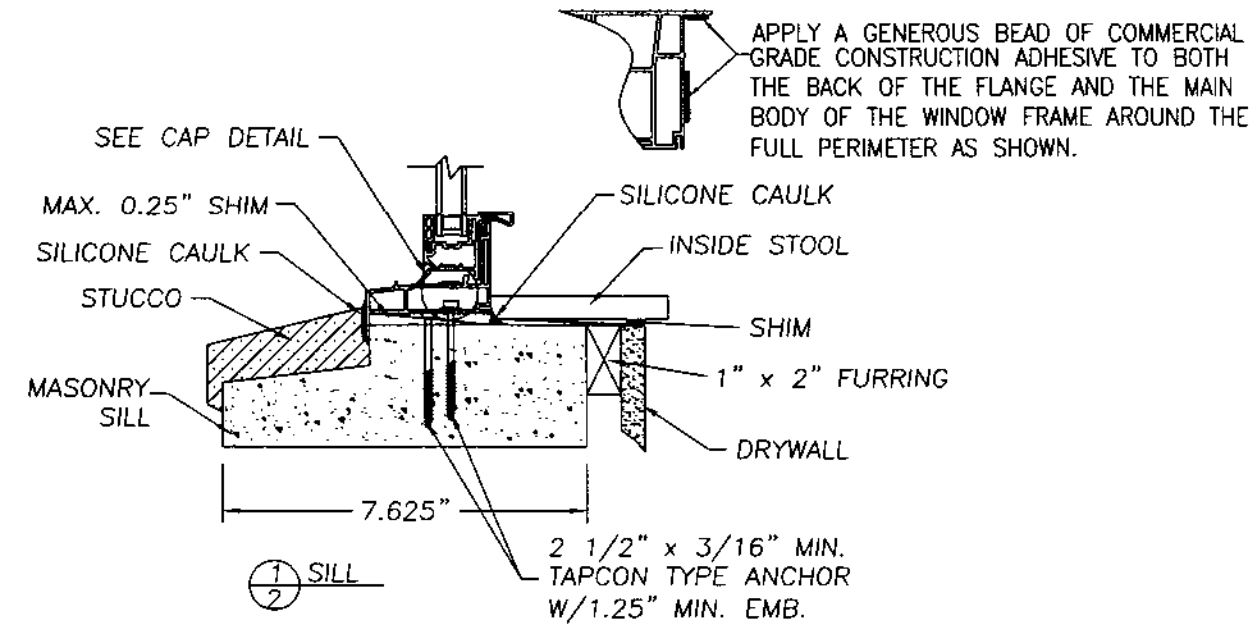
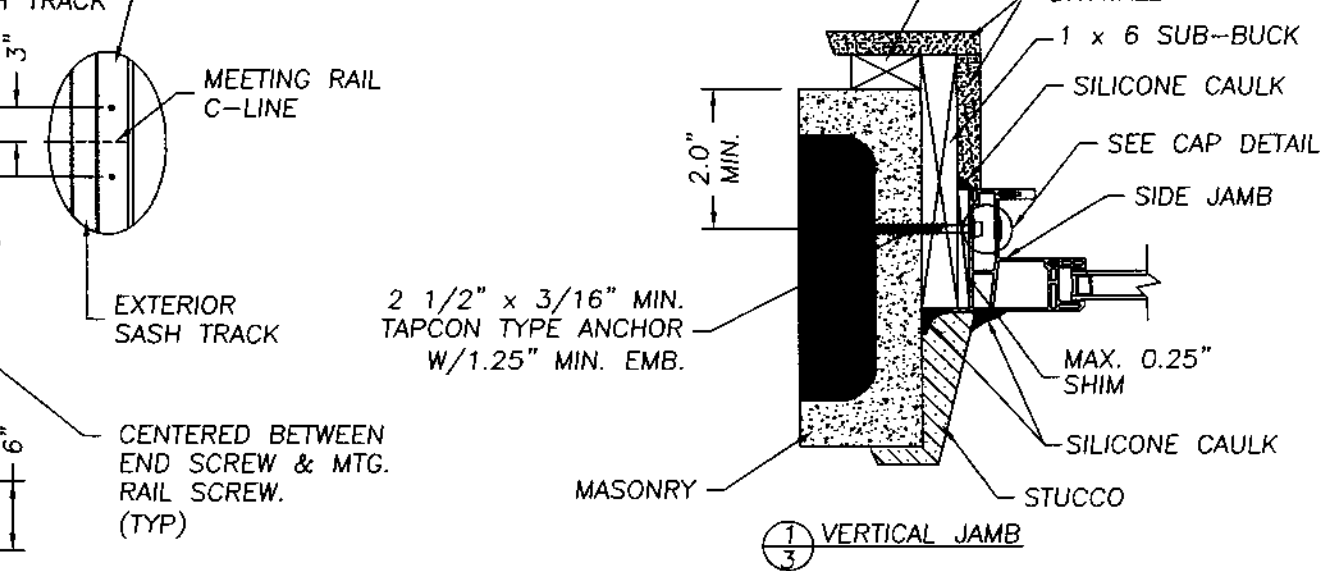
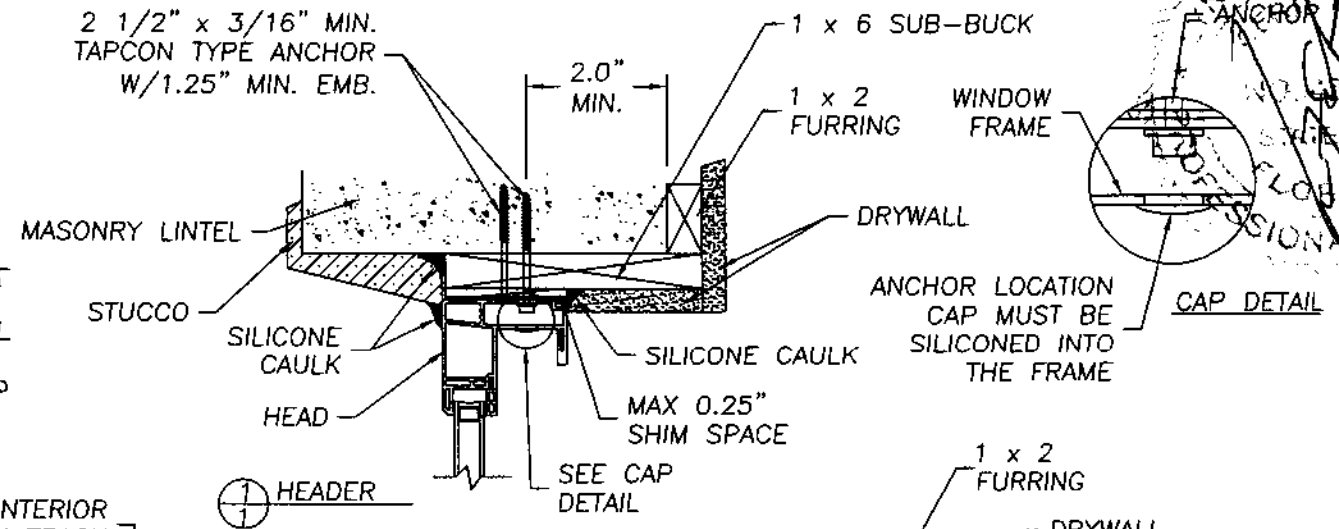
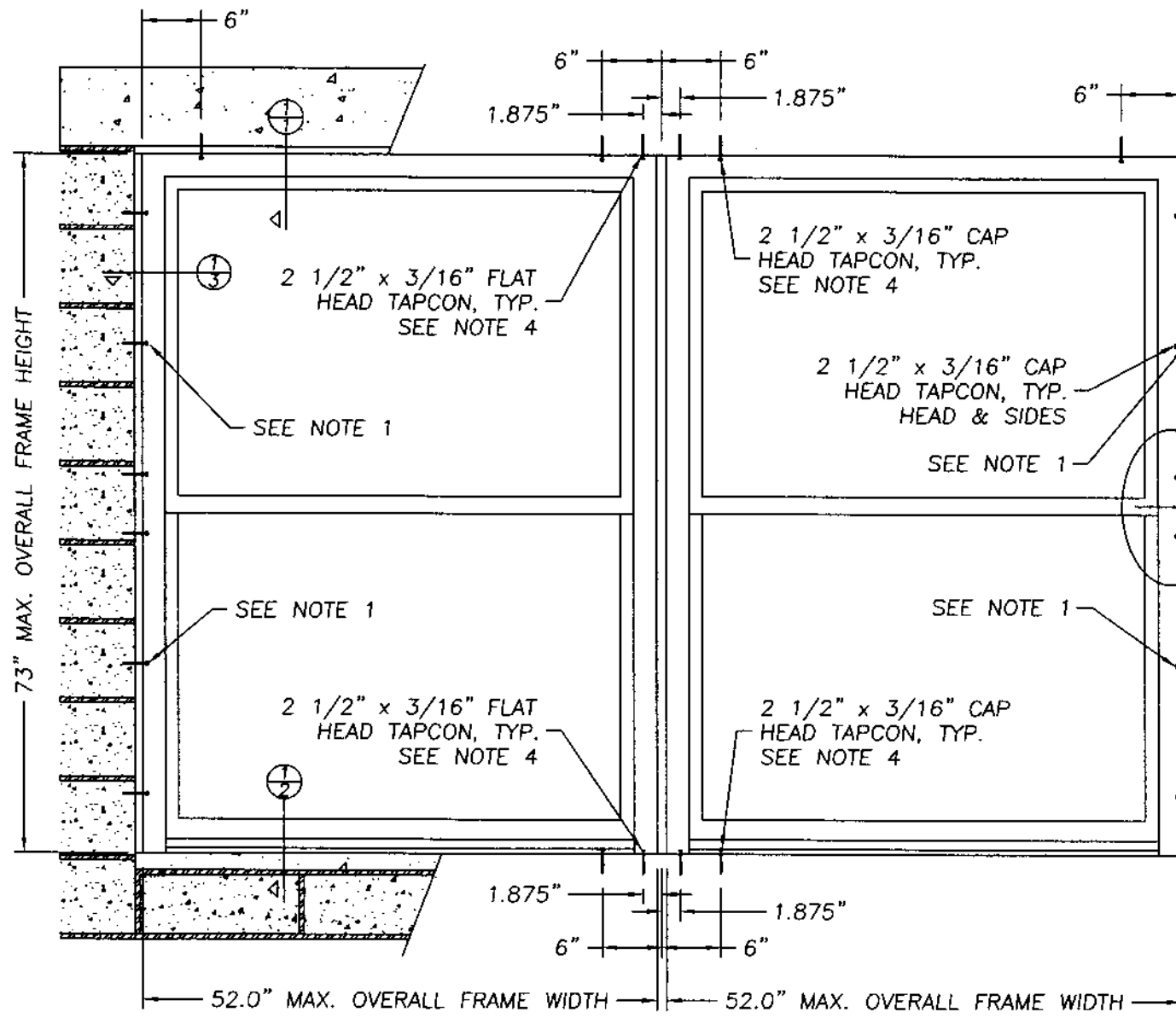
19506 French Lace Drive Lutz, FL 33558

American Craftsman Windows  
 P O Box 6029  
 North Brunswick, NJ 08902  
 PH. 800 299-9501

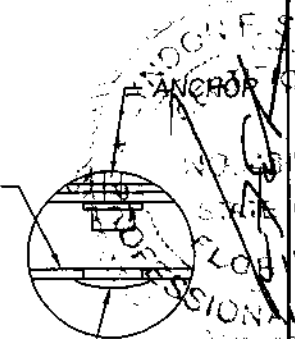
PRODUCT:	2710 MODEL MULLED VINYL SINGLE HUNG WINDOW W/ALUM. MULL		
PART OR ASSEMBLY:	TYPICAL ELEVATION, DESIGN PRESSURES & GENERAL NOTES		
NO.	DATE	BY	REVISIONS

  
 RW BUILDING  
 CONSULTANTS, INC.  
 813.659.9197

DATE: 09/20/02  
 SCALE: N.T.S.  
 DWG. BY: TJH  
 CHK. BY: RW  
 DRAWING NO.:  
 AC-415-0C  
 SHEET 1 OF 4



- NOTE:**
1. When installing a window that is 60" or less in overall height, eliminate the installation of this screw.
  2. Adjust Tapcon anchor locations, if necessary, to maintain a minimum 2.0" clearance from mortar joints.
  3. 52" is the maximum single unit width in the mulled application.
  4. The anchor 1.875" from the frame c-line is through the anchor plate. The anchor 6" from the frame c-line is through the window frame.



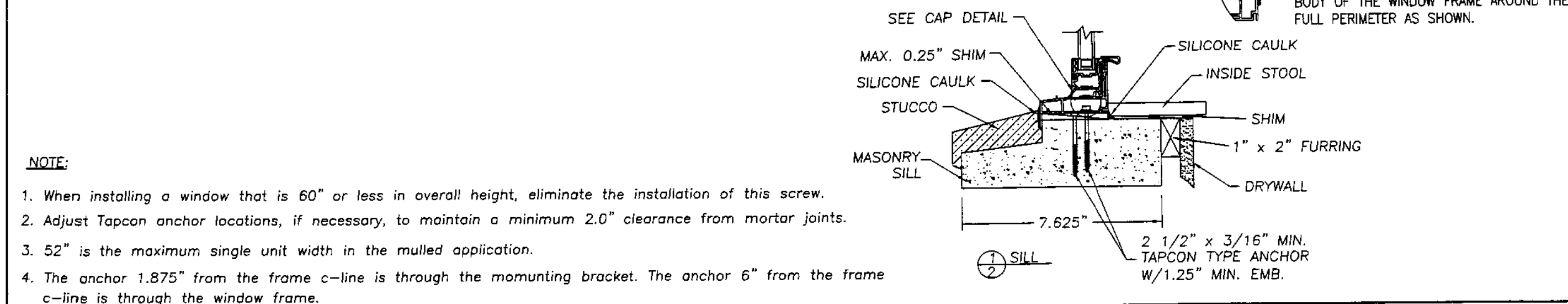
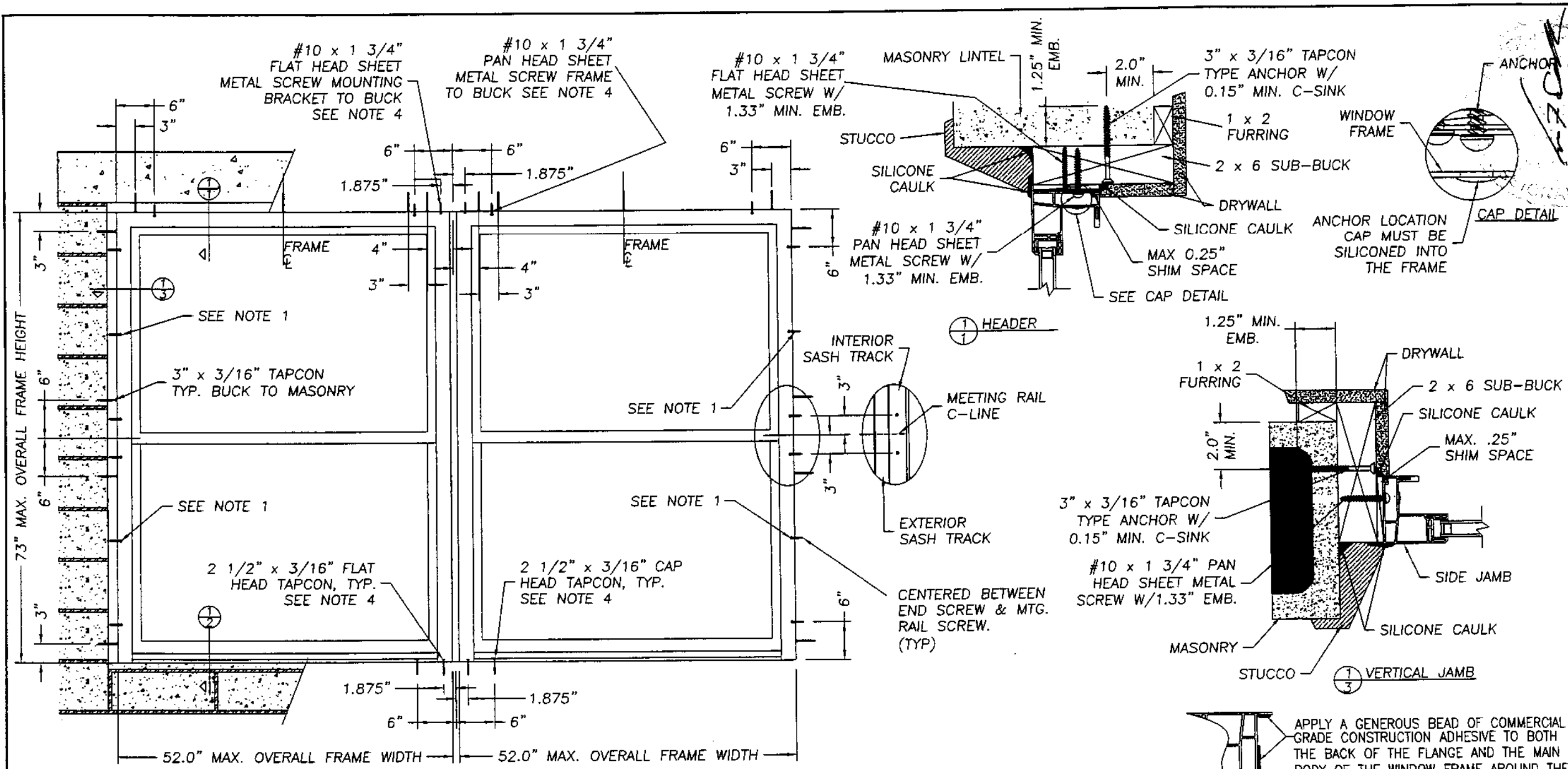
Lyndon F. Schmidt  
 Florida P. E. No. 43409  
 19506 French Lace Drive  
 Lutz, FL 33558

American Craftsman Windows  
 P. O. Box 6029  
 North Brunswick, NJ 08902  
 PH. 800 299-9501

ANCHORING CROSS SECTIONS  
 FOR 1X BUCK TO MASONRY  
 SERIES 2710 MULLED VINYL  
 SINGLE HUNG WINDOW

**RW** BUILDING  
 CONSULTANTS, INC.  
 813.659.9197

DATE: 09/20/02  
 SCALE: N.T.S.  
 DWG. BY: THJ  
 CHK. BY: RW  
 DRAWING NO.: AC-415-OC  
 SHEET 2 OF 4



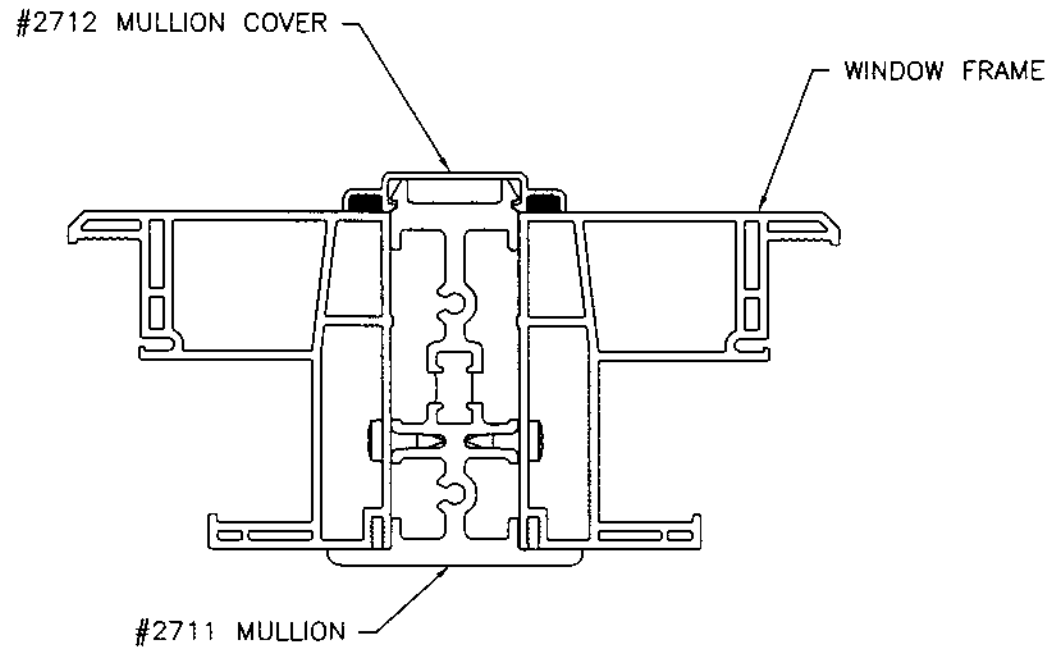
- NOTE:**
1. When installing a window that is 60" or less in overall height, eliminate the installation of this screw.
  2. Adjust Tapcon anchor locations, if necessary, to maintain a minimum 2.0" clearance from mortar joints.
  3. 52" is the maximum single unit width in the mullied application.
  4. The anchor 1.875" from the frame c-line is through the mounting bracket. The anchor 6" from the frame c-line is through the window frame.

September 20, 2002  
 Lyndon F. Schmidt  
 Florida P. E. No. 43409  
 19506 French Lace Drive  
 Lutz, FL 33558

American Craftsman Windows  
 P O Box 6029  
 North Brunswick, NJ 08902  
 PH. 800 299-9501

ANCHORING CROSS SECTIONS  
 FOR 2X BUCK TO MASONRY  
 SERIES 2710 MULLED VINYL  
 SINGLE HUNG WINDOW

DATE:	09/20/02
SCALE:	N.T.S.
DWG. BY:	THJ
CHK. BY:	RW
DRAWING NO.:	AC-415-OC
SHEET	3 OF 4



MULLION ASSEMBLY VIEW

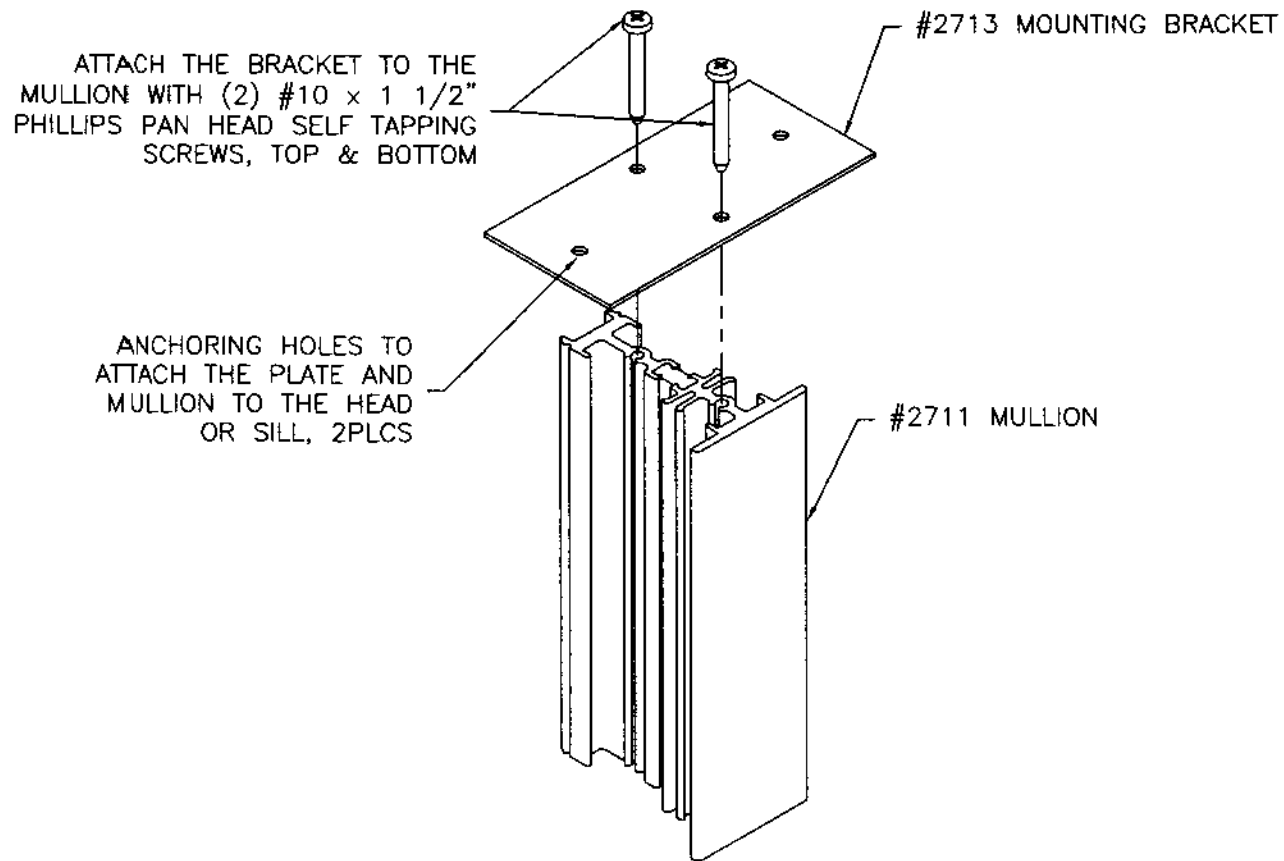
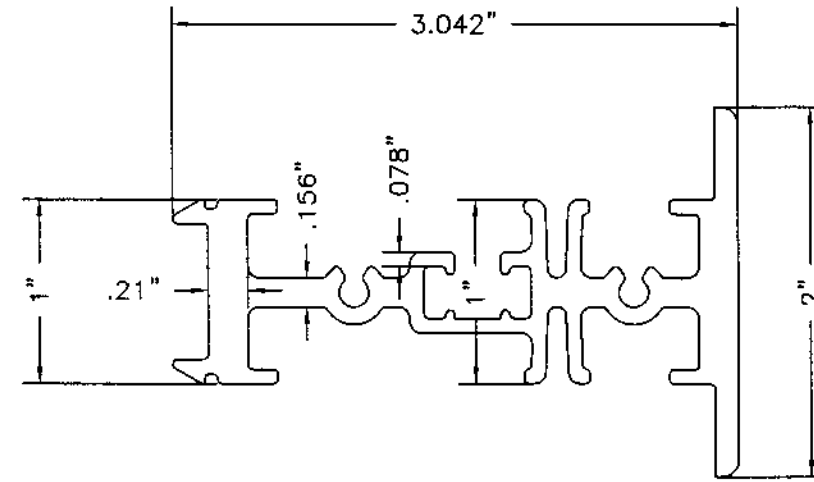
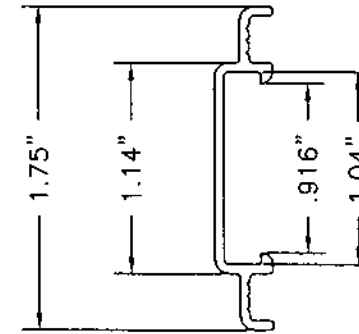


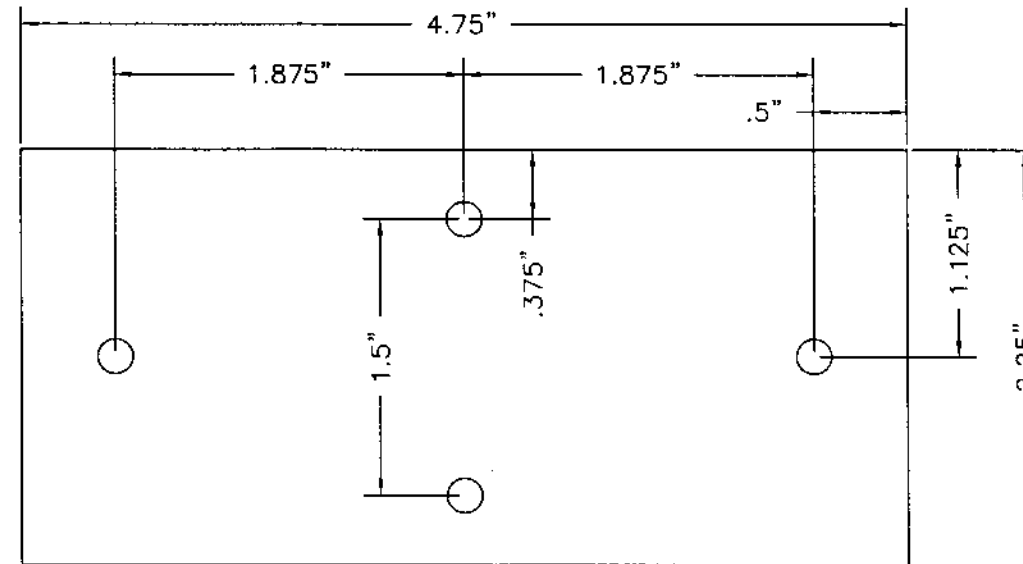
PLATE TO MULLION ATTACHMENT DETAIL



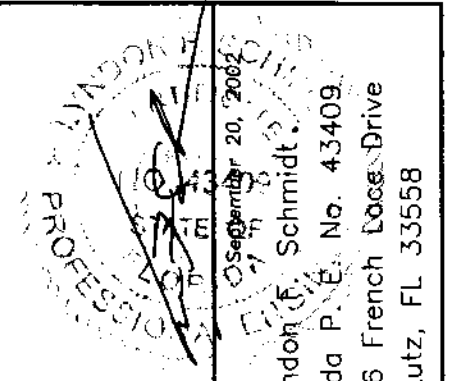
SILVERLINE MULLION #2711  
EXTRUDED ALUMINUM 6063-T6



SILVERLINE MULLION COVER #2712  
EXTRUDED ALUMINUM 6063-T6



SILVERLINE MULLION MOUNTING BRACKET #2713  
EXTRUDED ALUMINUM 6063-T6 0.063" THK.



Lyndon S. Schmidt  
Florida P. E. No. 43409  
19506 French Lake Drive  
Lutz, FL 33558

American Craftsman Windows  
P. O. Box 6029  
North Brunswick, NJ 08902  
PH. 800 299-9501

2710 MULLED  
VINYL SINGLE HUNG WINDOW  
MULL DETAILS AND ASSEMBLY

**RW** BUILDING  
CONSULTANTS, INC.  
813.659.9197

DATE: 09/20/02  
SCALE: N.T.S.  
DWG. BY: THJ  
CHK. BY: RW  
DRAWING NO.: AC-415-OC  
SHEET 4 OF 4