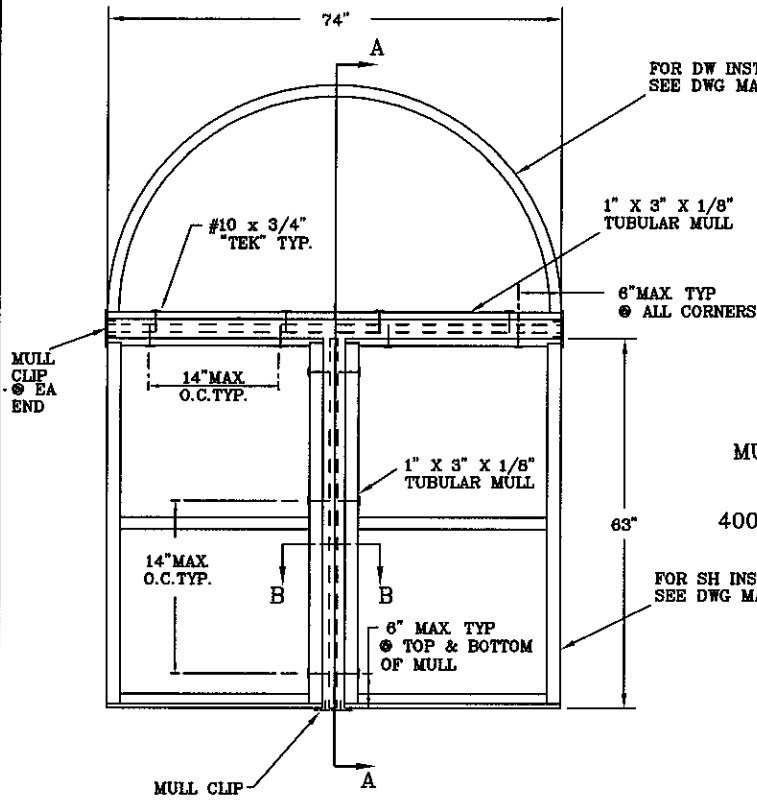


ITEM NO	PART NO	QTY.	DESCRIPTION	VENDOR
1	FLA-45	2	MULL BAR ANCHOR CLIP	PURCHASE
2	XFLA-26-1	AS SHOWN	1X3 HEAVY DUTY MULL	PROFILE EXTRUSIONS
3	F-10-4	8	# 10 X 3/4 TEK SCREW	PURCHASE
4	PURCHASE	4	1/4" X 2-1/4" TAPCON	PURCHASE

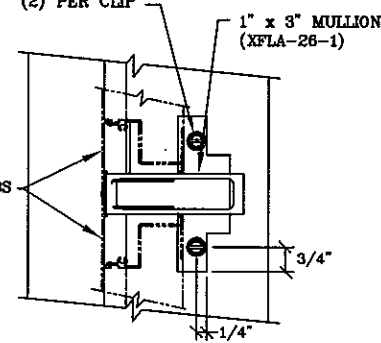
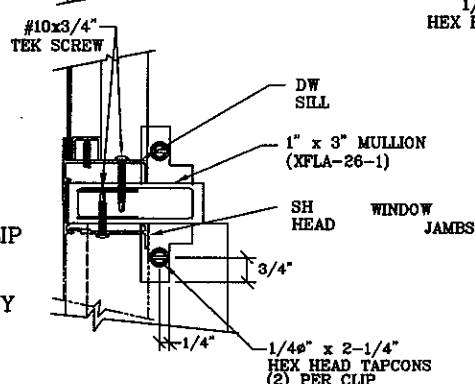
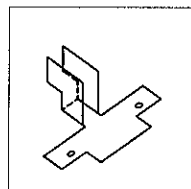
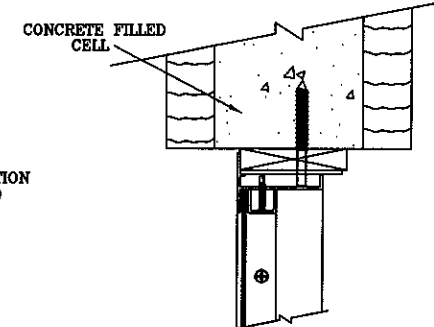


FOR DW INSTALLATION
SEE DWG MAR-019

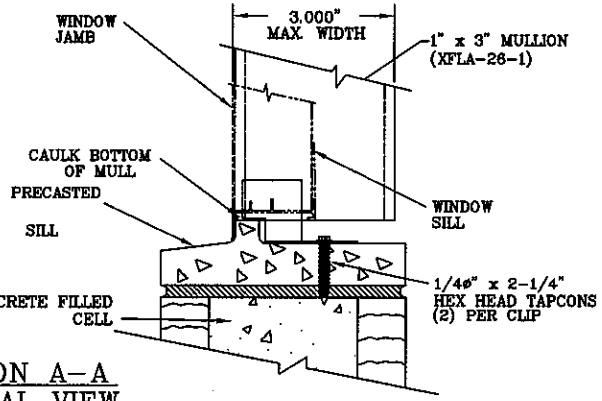
FOR SH INSTALLATION
SEE DWG MAR-002

FLA-45
MULLION ANCHOR CLIP
16 GA. GALV.
SHEET METAL
400 LB. MAX CAPACITY

SECTION A-A
VERTICAL VIEW



SECTION B-B
HORIZONTAL VIEW



NOTES:

- 1) CONCRETE HEAD, SILL, AND JAMBS COMPRESSIVE STRENGTH = 2,500 PSI @ 28 DAYS.
- 2) ALL TAPCON FASTENERS SHALL HAVE A 1-1/4" MIN. EMBEDMENT INTO MASONRY.
- 3) WOOD FRAMING NOT BY NORANDEX MUST SUSTAIN IMPOSED LOADS. CONTRACTOR IS RESPONSIBLE FOR MAINTAINING STRUCTURAL INTEGRITY OF THE WINDOW OPENING AND ANY WOOD FRAMING AROUND WINDOW HEADER.

MULL	DESIGN LOAD CAPACITY		
	POSITIVE	NEGATIVE	MAXIMUM LENGTH
XFLA-26-1 (1x3)	+45PSF D.P.	-45PSF D.P.	76-3/4"

FIXED DW OVER DOUBLE
SH 1" X 3" MULLION,
VERT AND HORIZ
W/FLA-45 CLIP

SERIES: MULLION
ALUMINUM SINGLE RUNG
NORANDEX
4605 50th STREET WEST
BRADENTON, FL 34207
PHONE: (841) 765-1691

NO.	DATE	REVISIONS DESCRIPTION

DATE: 8/6/02
SCALE: N.T.S.
DVG. BY: R.J.F.
CHK. BY:
DVG. NO.: MAR-018

W.A. Davis
9/03/02

W.A. DAVIS JR. P.E.
FL. REG. ENG. # 25539
DATE: 9/3/02

CONFIDENTIAL UNAUTHORIZED USE OR COPYING PROHIBITED