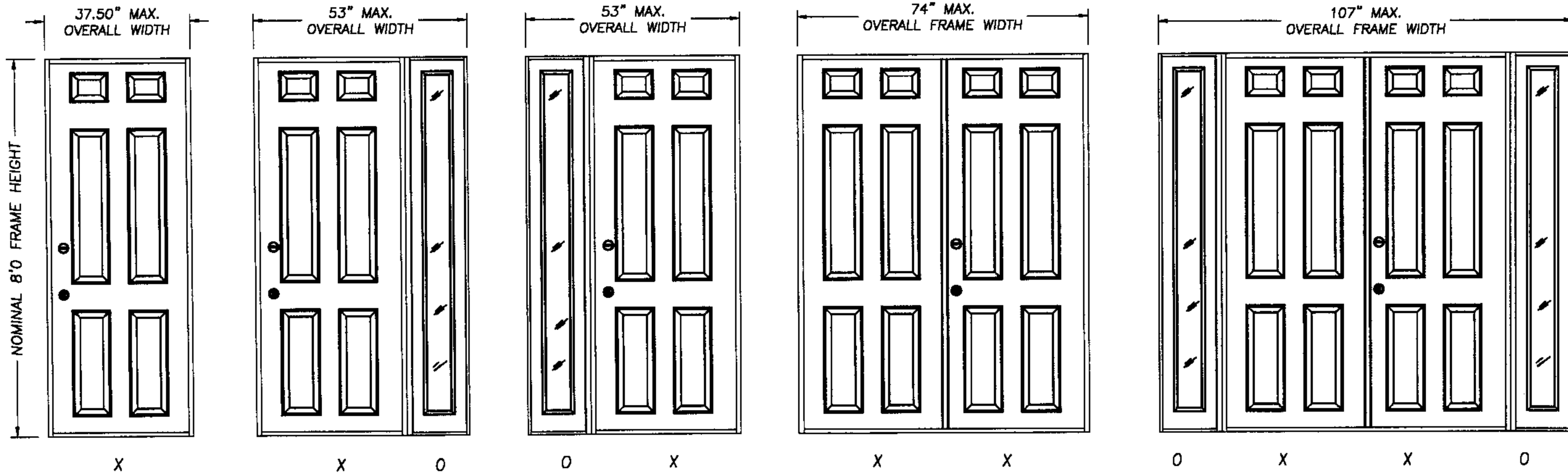


Taylor Door®

STEEL EDGE OPAQUE INSULATED STEEL DOOR
OUT-SWING / IN-SWING 8-0 UNITS W/ & W/OUT SIDELITES




DESIGN PRESSURE RATING	DESIGN PRESSURE RATING	DESIGN PRESSURE RATING	DESIGN PRESSURE RATING	DESIGN PRESSURE RATING
OUT / IN-SWING	OUT / IN-SWING	OUT / IN-SWING	OUT / IN-SWING	OUT / IN-SWING
POS. 45.0 NEG. 45.0	POS. 45.0 NEG. 45.0	POS. 45.0 NEG. 45.0	POS. 45.0 NEG. 45.0	POS. 45.0 NEG. 45.0

GENERAL NOTES

1. THIS PRODUCT IS DESIGNED TO COMPLY WITH THE FLORIDA BUILDING CODE.
2. PRODUCT ANCHORS SHALL BE AS LISTED AND SPACED AS SHOWN ON DETAILS.
3. THE SIDELITES REQUIRE WINDBORNE DEBRIS EXTERNAL PROTECTION AS DESCRIBED IN SECTION 1626.1 OF THE FLORIDA BUILDING CODE WHEN USED IN WINDBORNE DEBRIS AREAS.
4. FOR INSWING MASONRY ANCHORING SEE SHEET 2 OF 4.
5. FOR OUTSWING MASONRY ANCHORING SEE SHEET 3 OF 4.
6. FOR INSWING/OUTSWING WOOD STUD ANCHORING SEE SHEET 4 OF 4.

PRODUCT DESCRIPTION

1. THE DOOR FACE SHEETS ARE 24 GA. (0.021") MIN. THICKNESS.
2. THE DOOR PANEL IS FORMED WITH TWO STEEL SKINS WITH A NINETY-DEGREE BREAK AND MECHANICALLY INTERLOCKED.
3. THE SIDELITES STILES AND RAILS ARE WOOD CONSTRUCTION.
4. THE INTERIOR DOOR CAVITY IS EXPANDED POLYSTYRENE.
5. THE SIDELITE GLAZING IS 0.5" INSULATED GLASS BY RSL.
6. THE WOOD JAMBS ARE A MIN. 4-9/16".
7. THE THRESHOLD IS AN ALUMINUM BUMP FACE TYPE (OUTSWING) OR AN ALUMINUM SADDLE TYPE (INSWING).


 Lyndon F. Schmidt
 Florida P. E. No. 43409
 19506 French Lace Drive Lutz, FL 33558

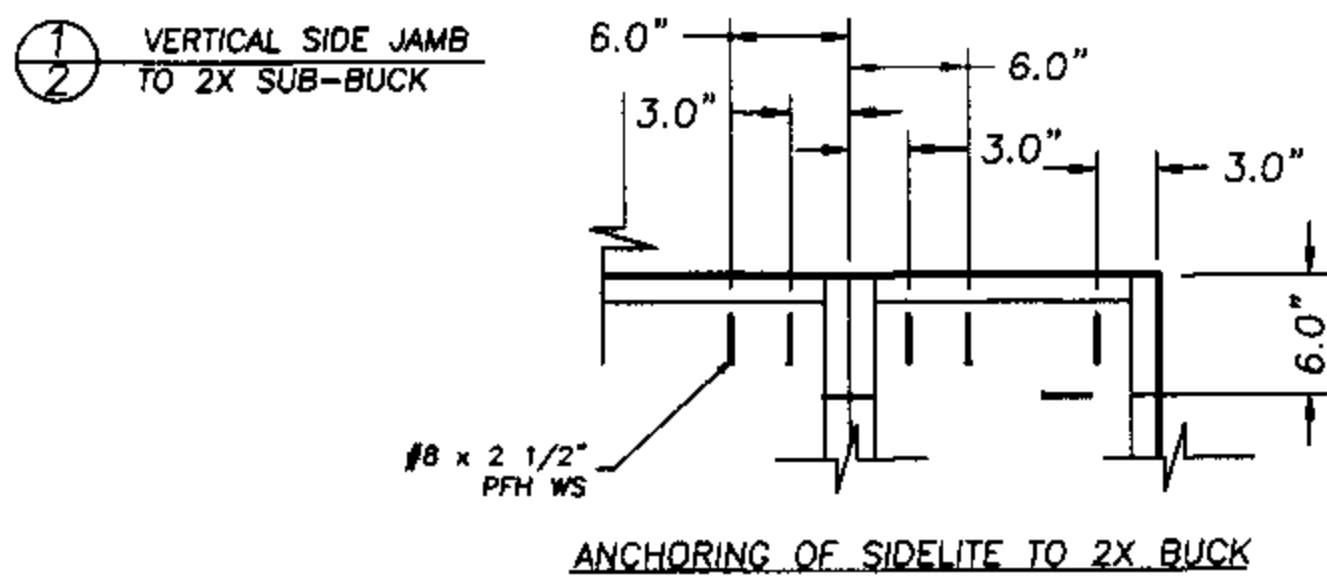
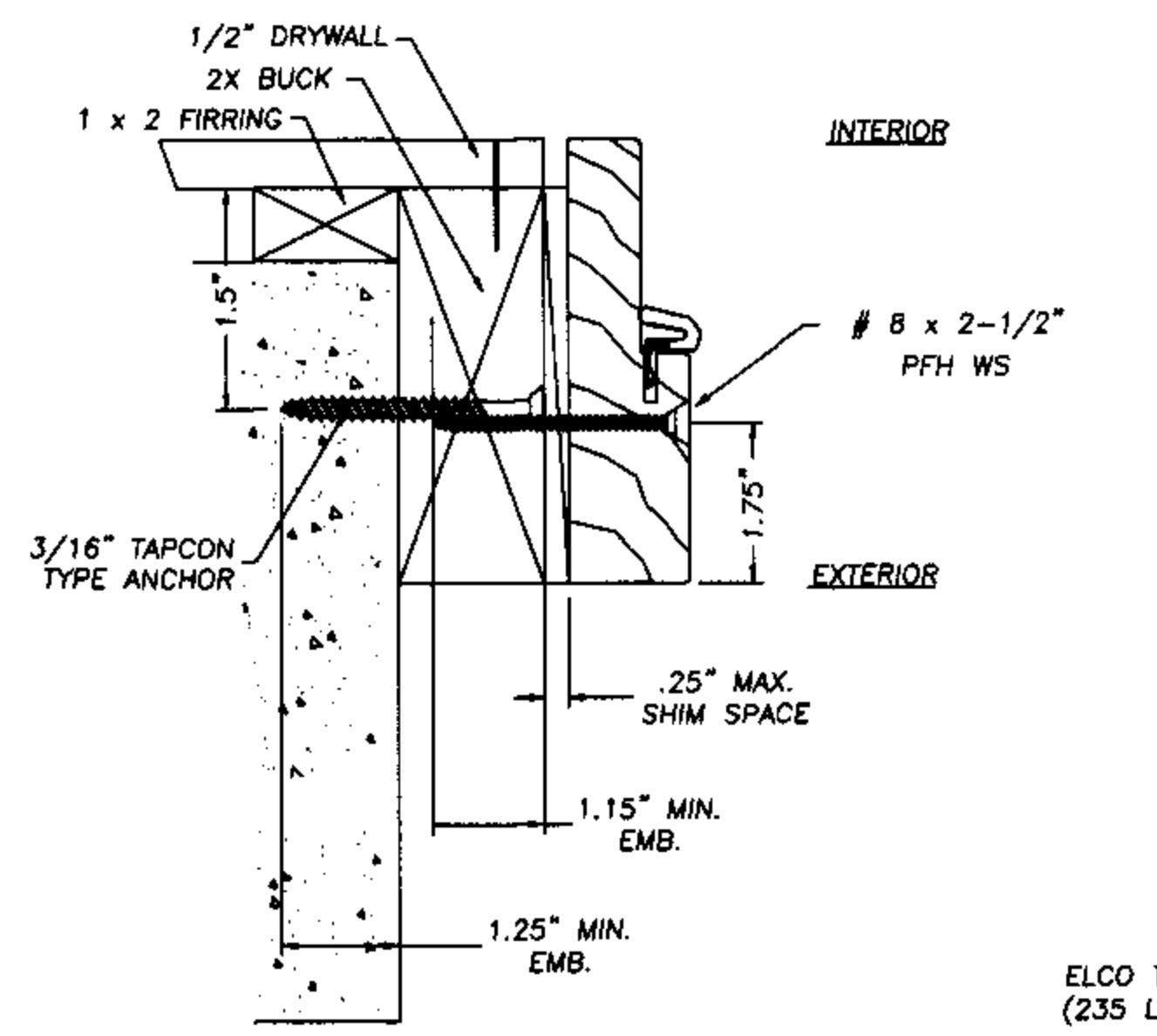
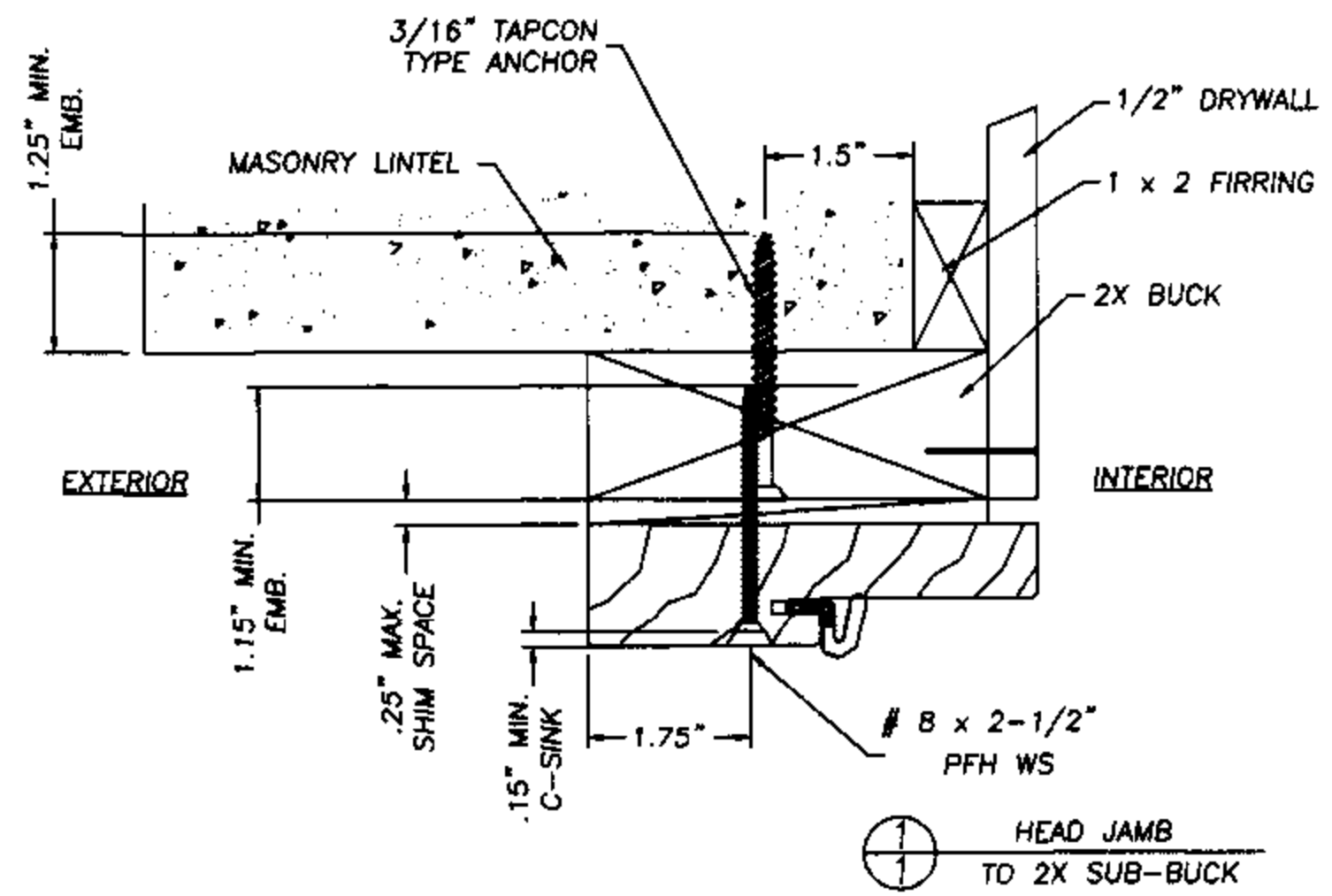
TAYLOR
 TAYLOR BUILDING PRODUCTS, INC.
 631 NORTH FIRST STREET
 WEST BRANCH, MICHIGAN 48661
 PH. (517) 345-5110 FAX. (517) 345-5116

PRODUCT: UNI-DOOR
 STEEL EDGE STEEL DOOR
 OPAQUE W/NO SIDELITES
 PART OR ASSEMBLY:
 GENERAL NOTES &
 TYPICAL ELEVATIONS

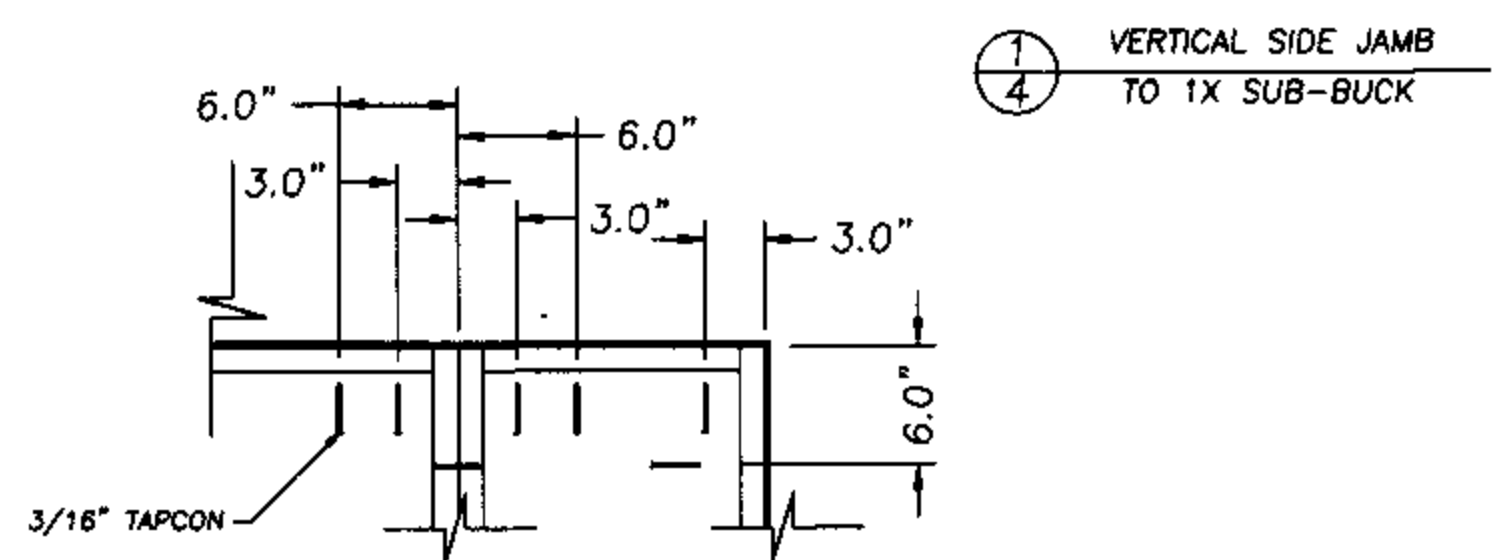
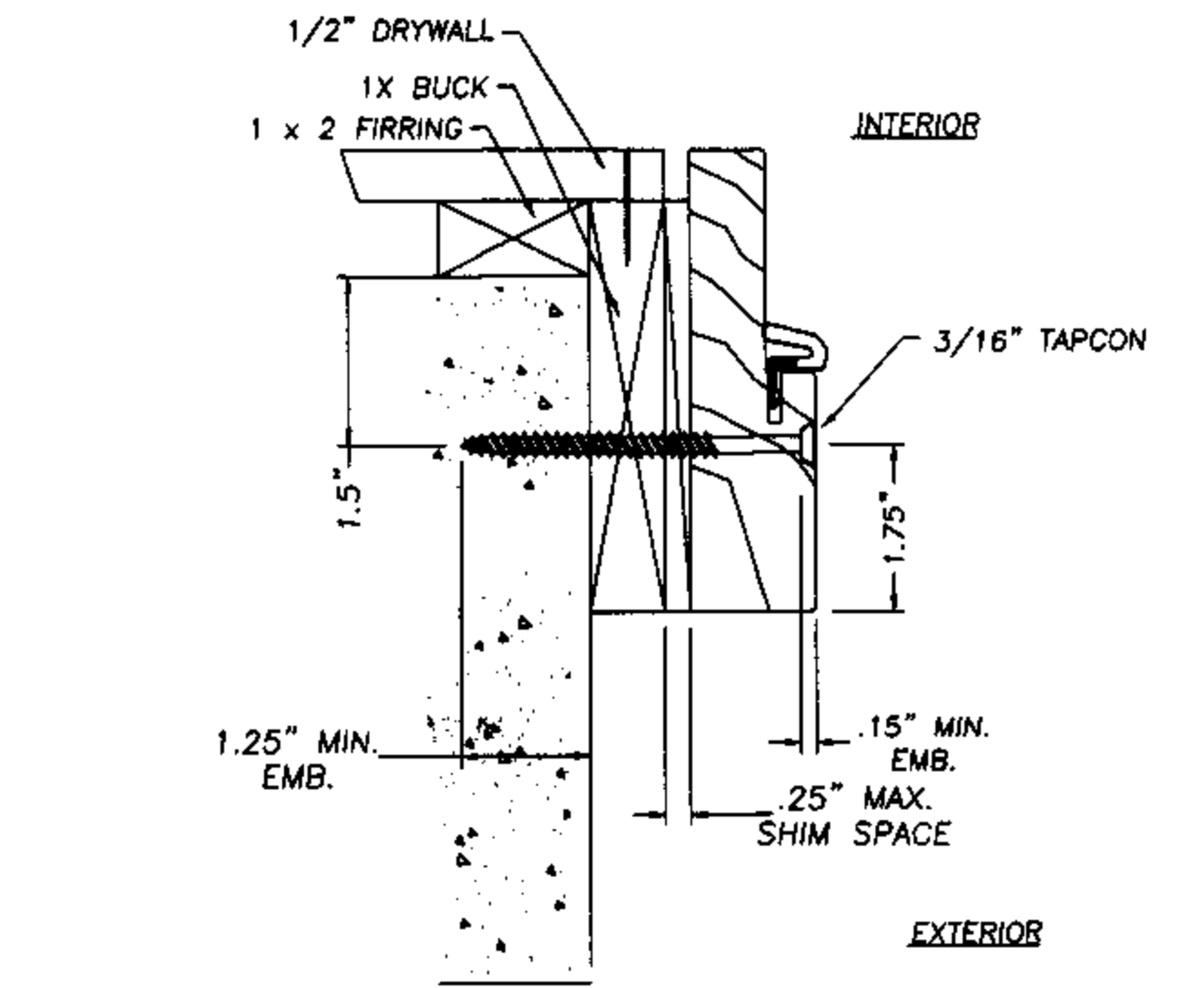
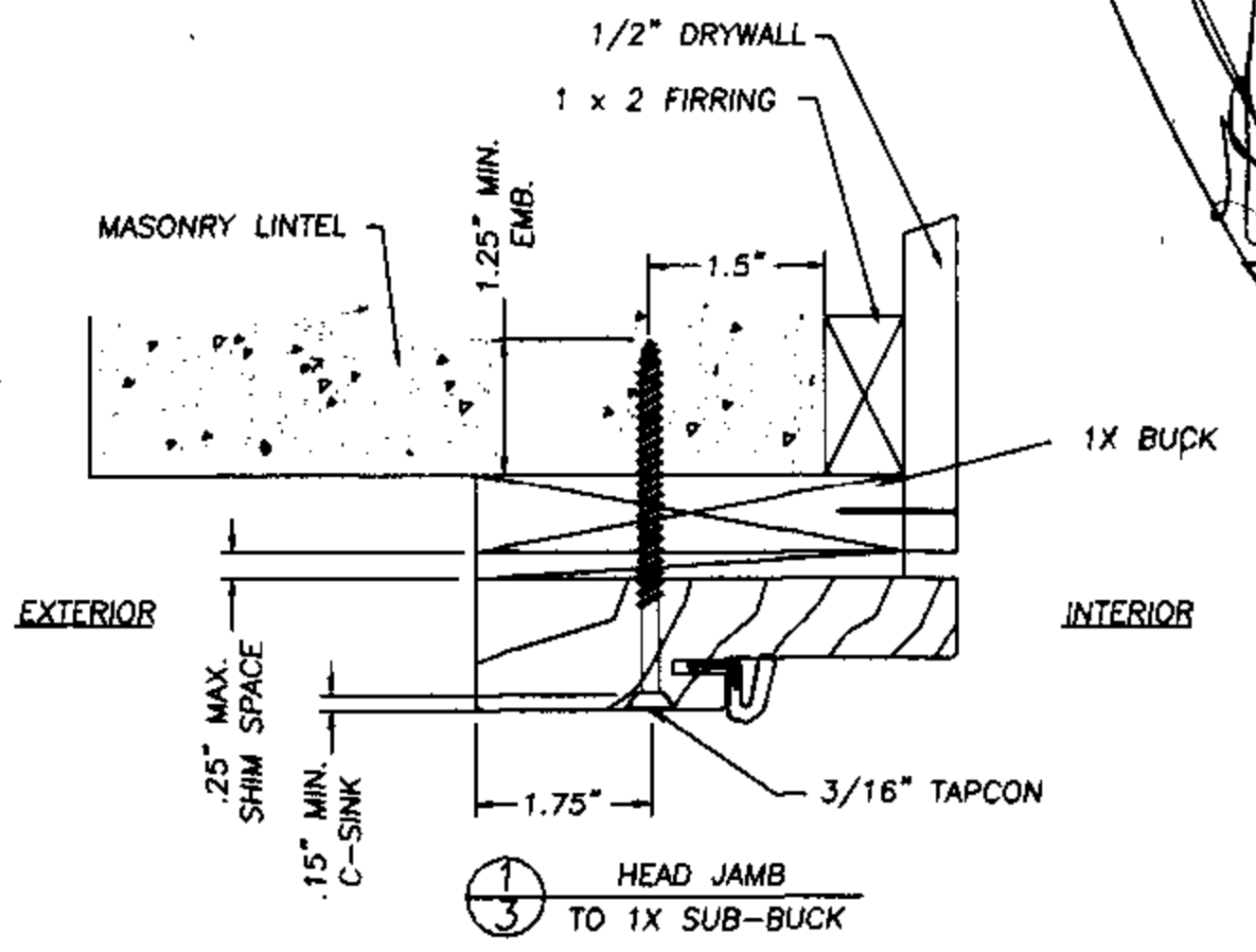
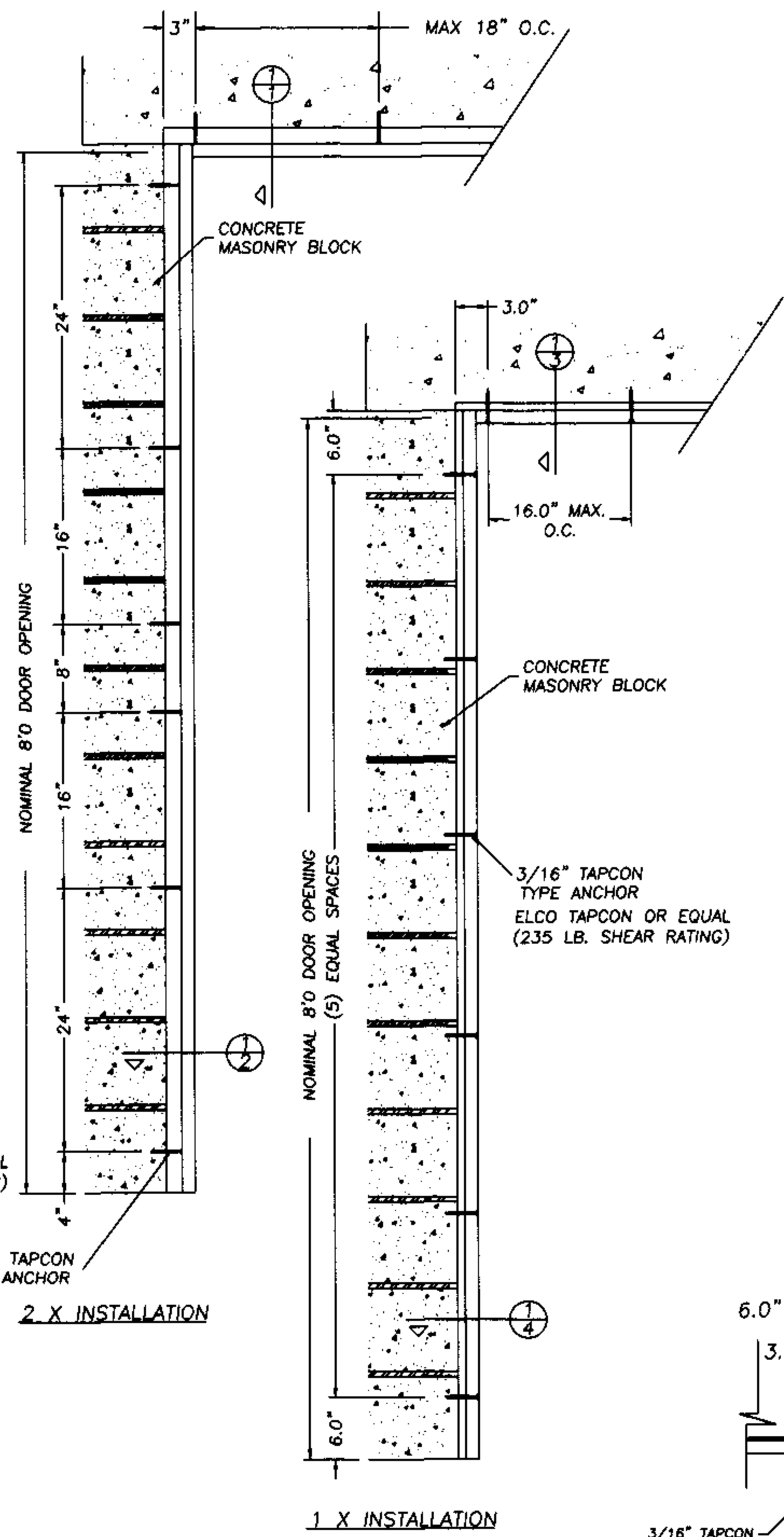
NO.	DATE	BY	REVISIONS

RW BUILDING
 CONSULTANTS, INC.
 813.659.9197

DATE: 8/1/02
 SCALE: N.T.S.
 DWG. BY: WLN
 CHK. BY: RW
 DRAWING NO.: TAY-106-OC
 SHEET 1 OF 4



NOTE:
A minimum clearance of 2.0" for all anchoring screws to mortar joints must be maintained.



VERTICAL SIDE JAMB TO 1X SUB-BUCK

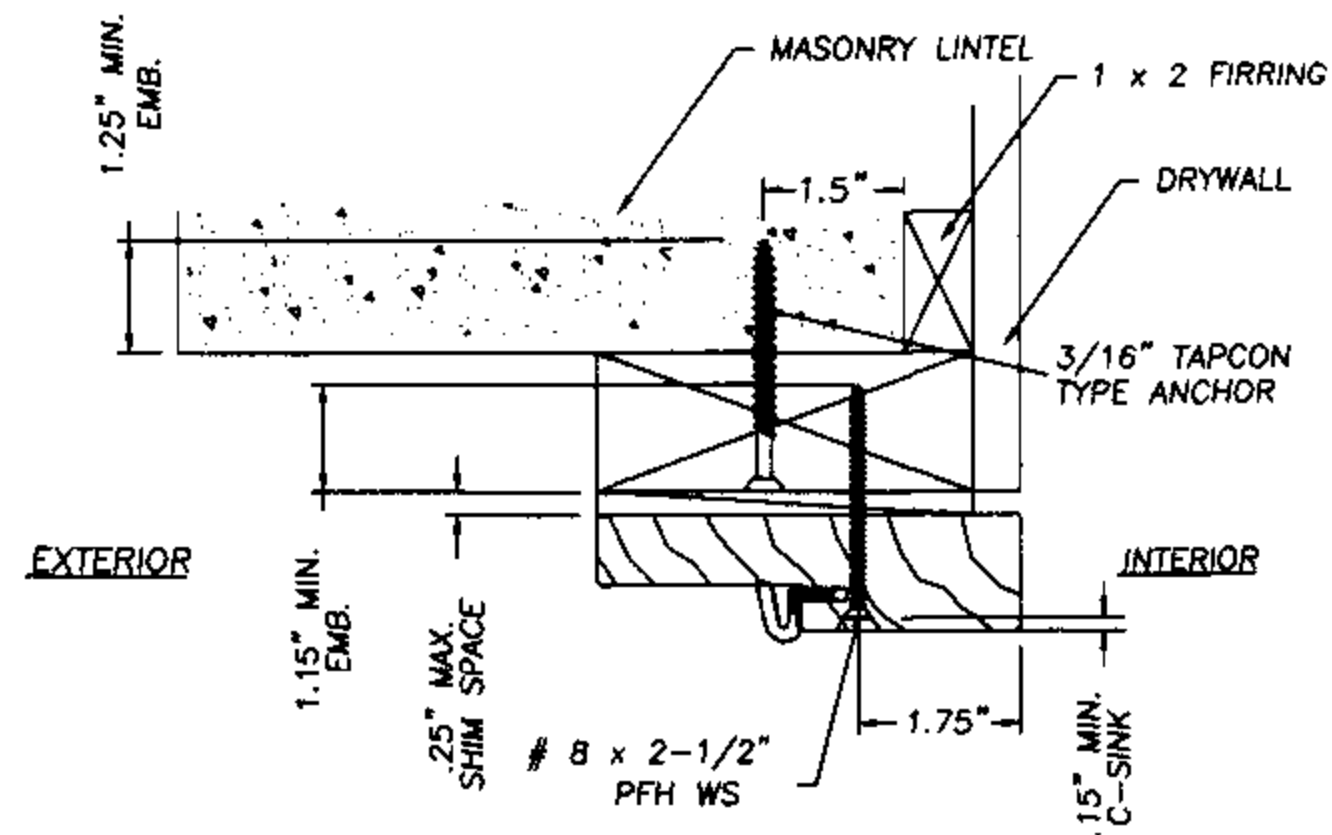
AUGUST 1, 2002
Lyndon F. Schmidt
Florida P. E. No. 43409
19506 French Lace Drive
Lutz, FL 33558

TAYLOR
AMERICAN DOOR MARKET
TAYLOR BUILDING PRODUCTS, INC.
631 NORTH FIRST STREET
WEST BRANCH, MICHIGAN 48661
PH. (517) 345-5110 FAX. (517) 345-5116

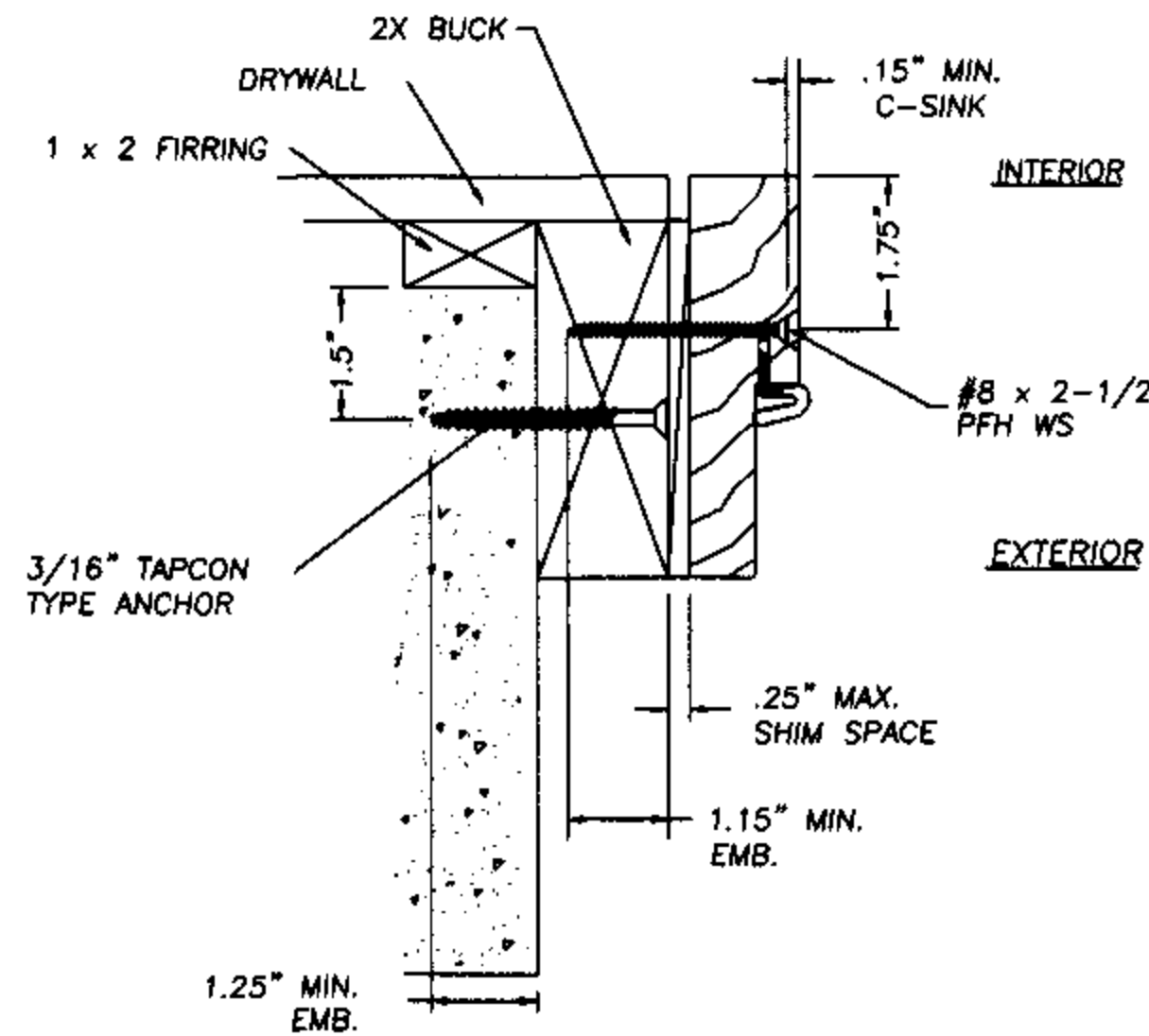
ANCHOR CROSS SECTIONS
MASONRY 8'0"
IN-SWING WOOD FRAME

RW BUILDING CONSULTANTS, INC.
813.659.9197

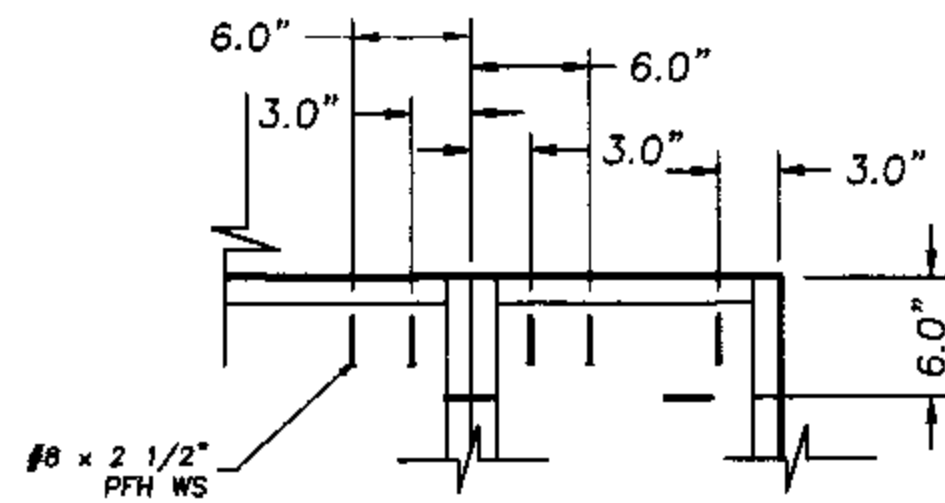
DATE: 8/1/02
SCALE: NTS
DWG. BY: WLN
CHK. BY: RW
DRAWING NO.: TAY-106-OC
SHEET 2 OF 4



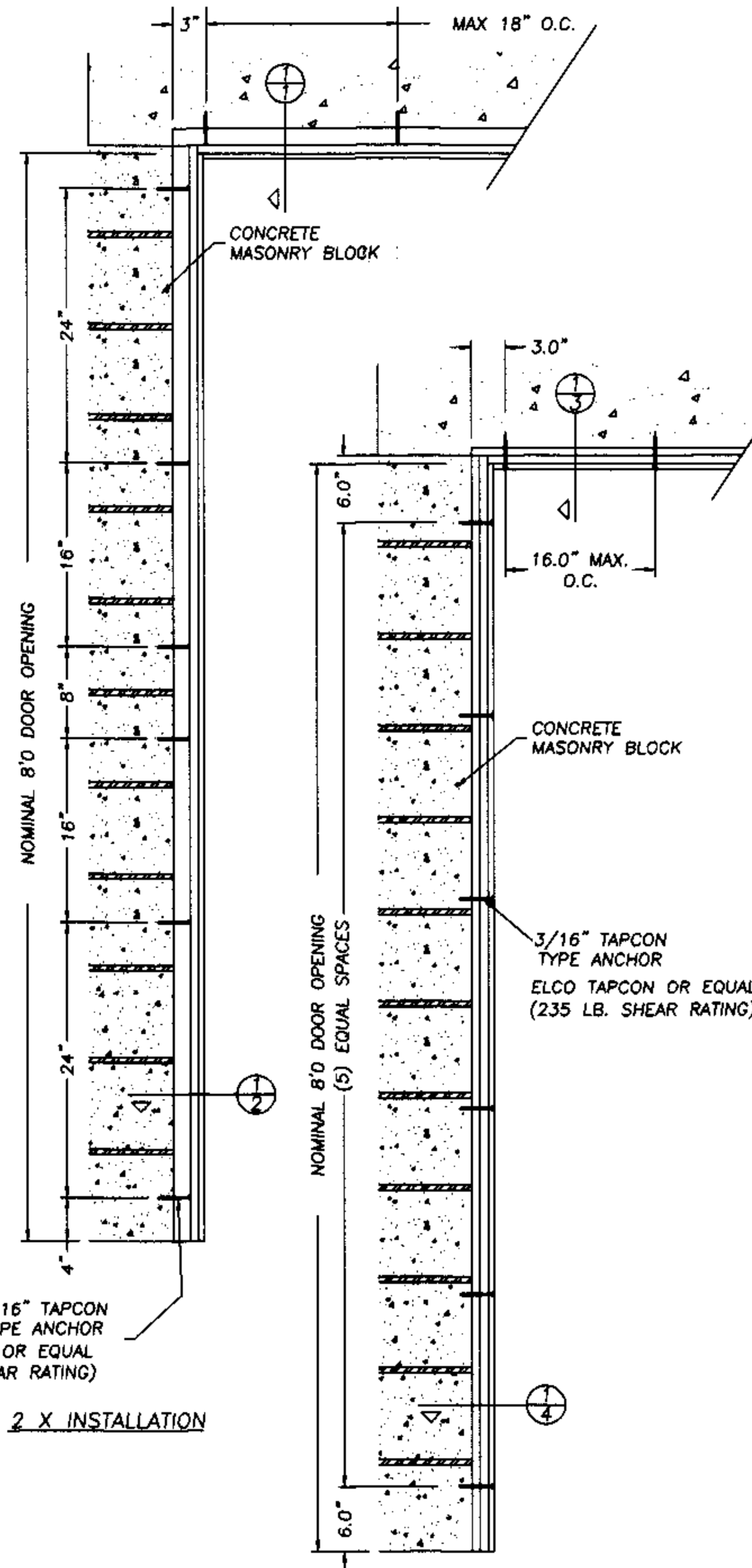
① HEAD JAMB TO 2X SUB-BUCK



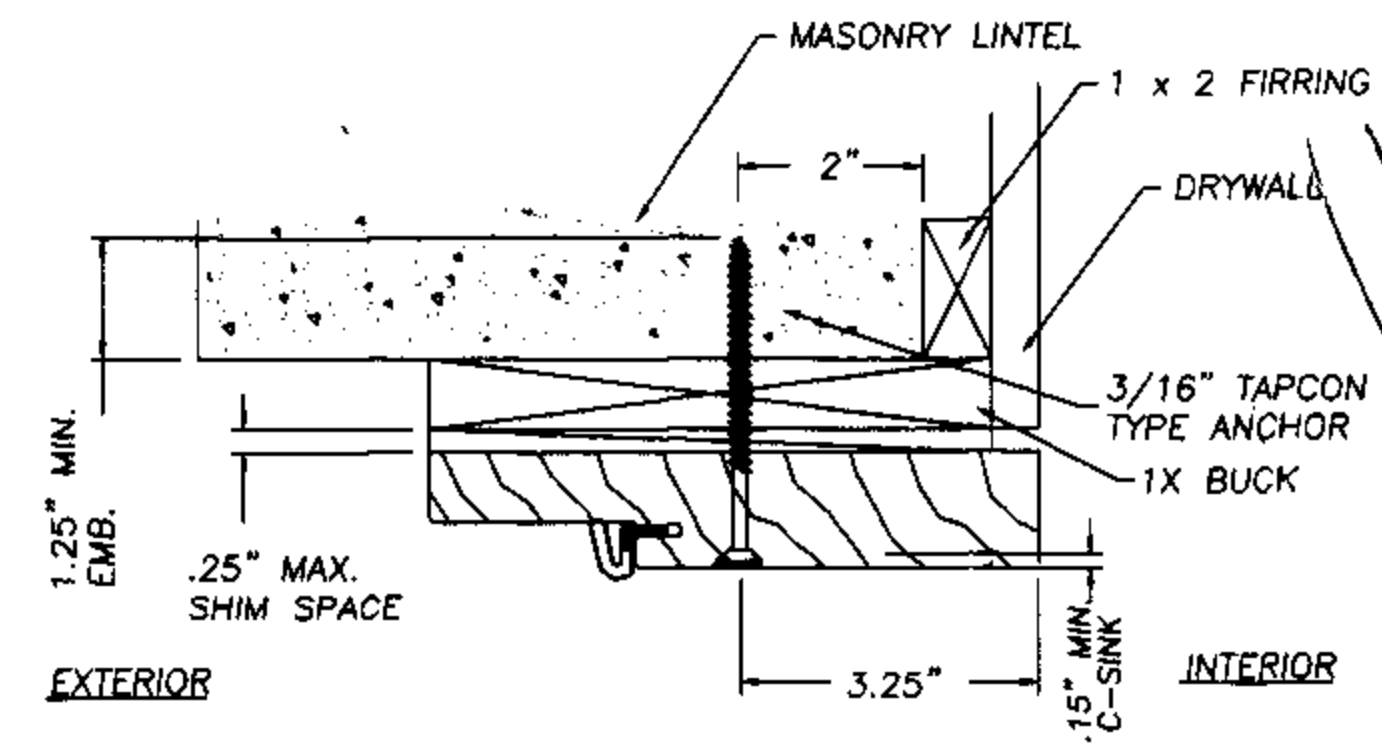
② VERTICAL SIDE JAMB TO 2X SUB-BUCK



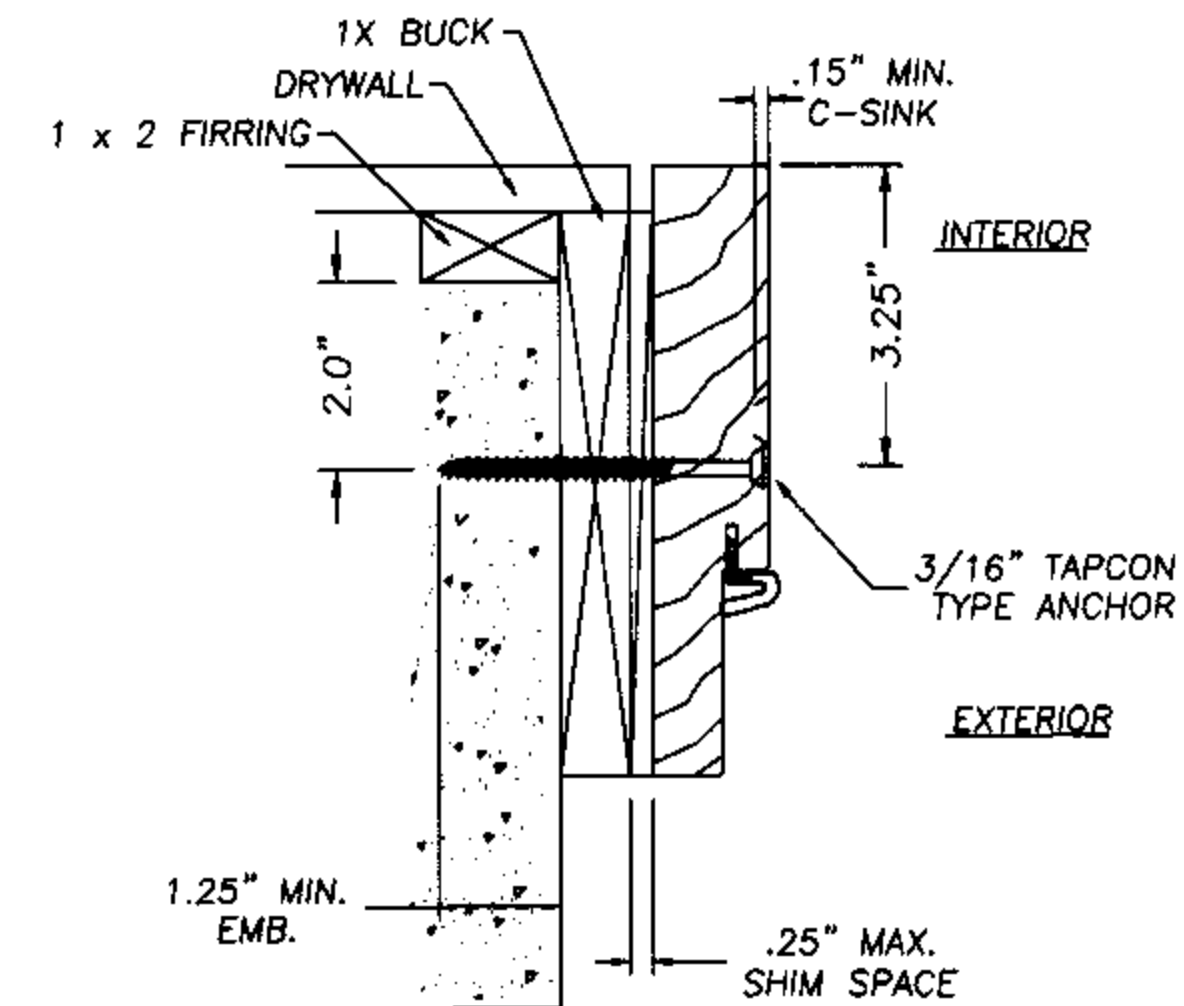
ANCHORING OF SIDELITE TO 2X BUCK



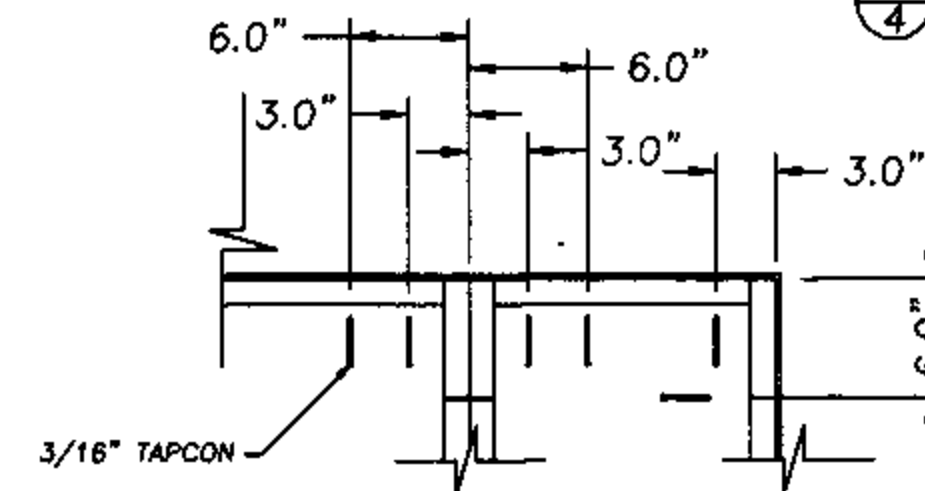
1 X INSTALLATION



③ HEAD JAMB TO 1X SUB-BUCK



④ VERTICAL SIDE JAMB TO 1X SUB-BUCK



ANCHORING OF SIDELITE THROUGH 1X BUCK

NOTE:

1. When using a 1X sub-buck a 6-9/16" jamb is required to allow for min. edge spacing for Tapcon type anchors.
2. A minimum clearance of 2.0" for all anchoring screws to mortar joints must be maintained.

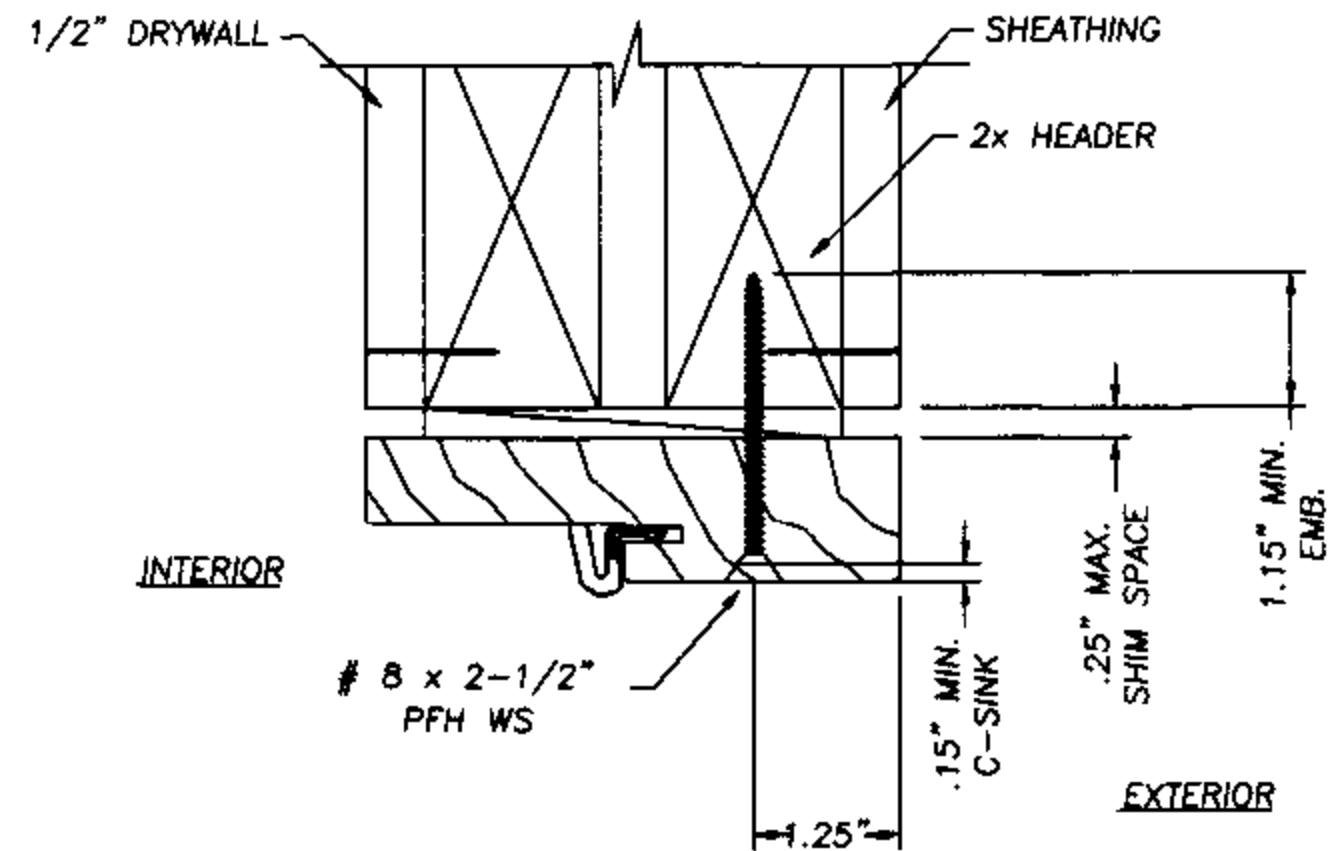
AUGUST 1, 2002
 Lyndon F. Schmidt
 Florida P. E. No. 43409
 19506 French Lace Drive
 Lutz, FL 33558

TAYLOR
 MASONRY PRODUCTS, INC.
 631 NORTH FIRST STREET
 WEST BRANCH, MICHIGAN 48681
 PH. (517) 345-5110 FAX. (517) 345-5116

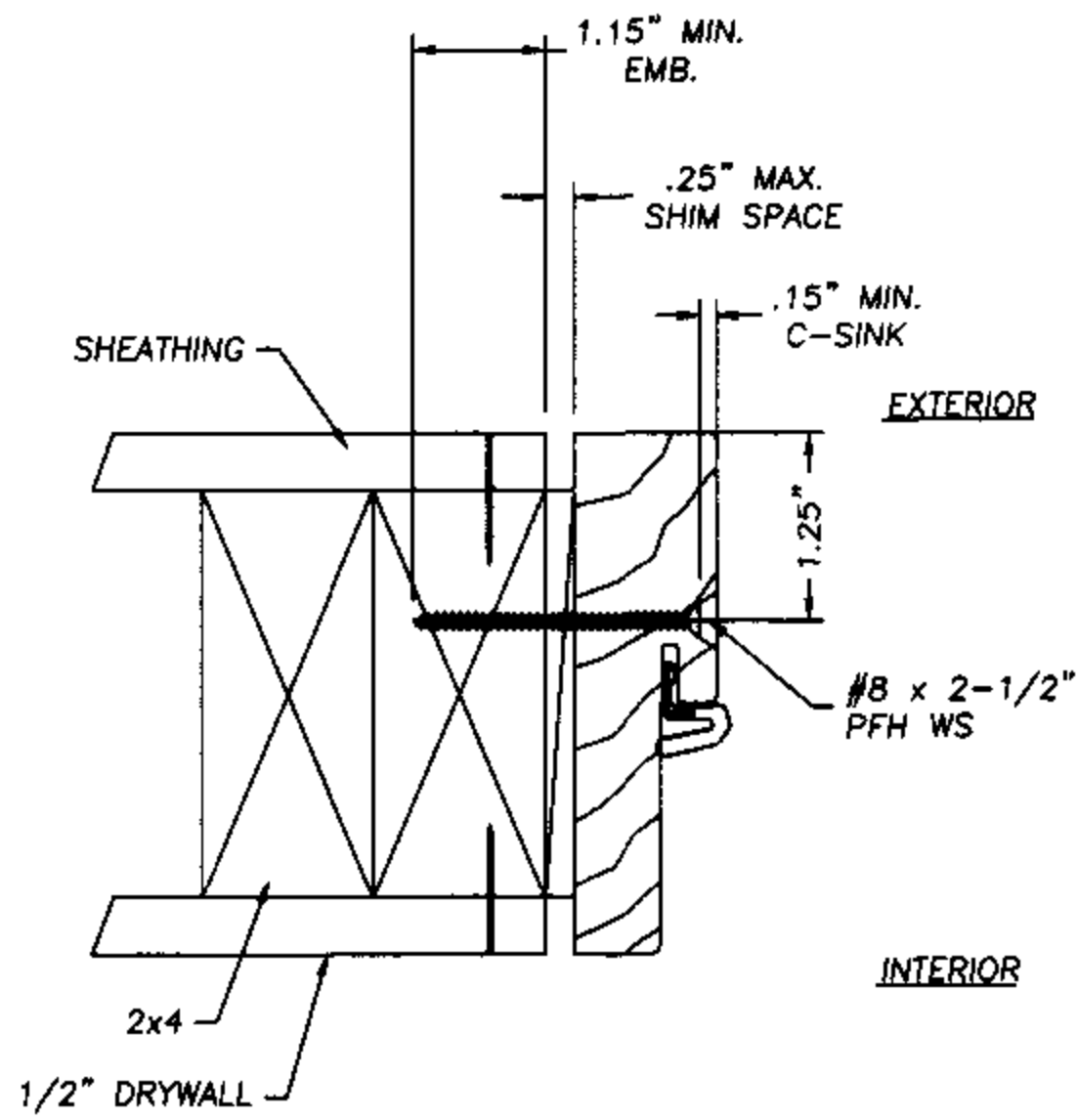
ANCHOR CROSS SECTIONS
 MASONRY 8'0
 OUT-SWING WOOD FRAME

RW BUILDING
 CONSULTANTS, INC.
 813.659.9197

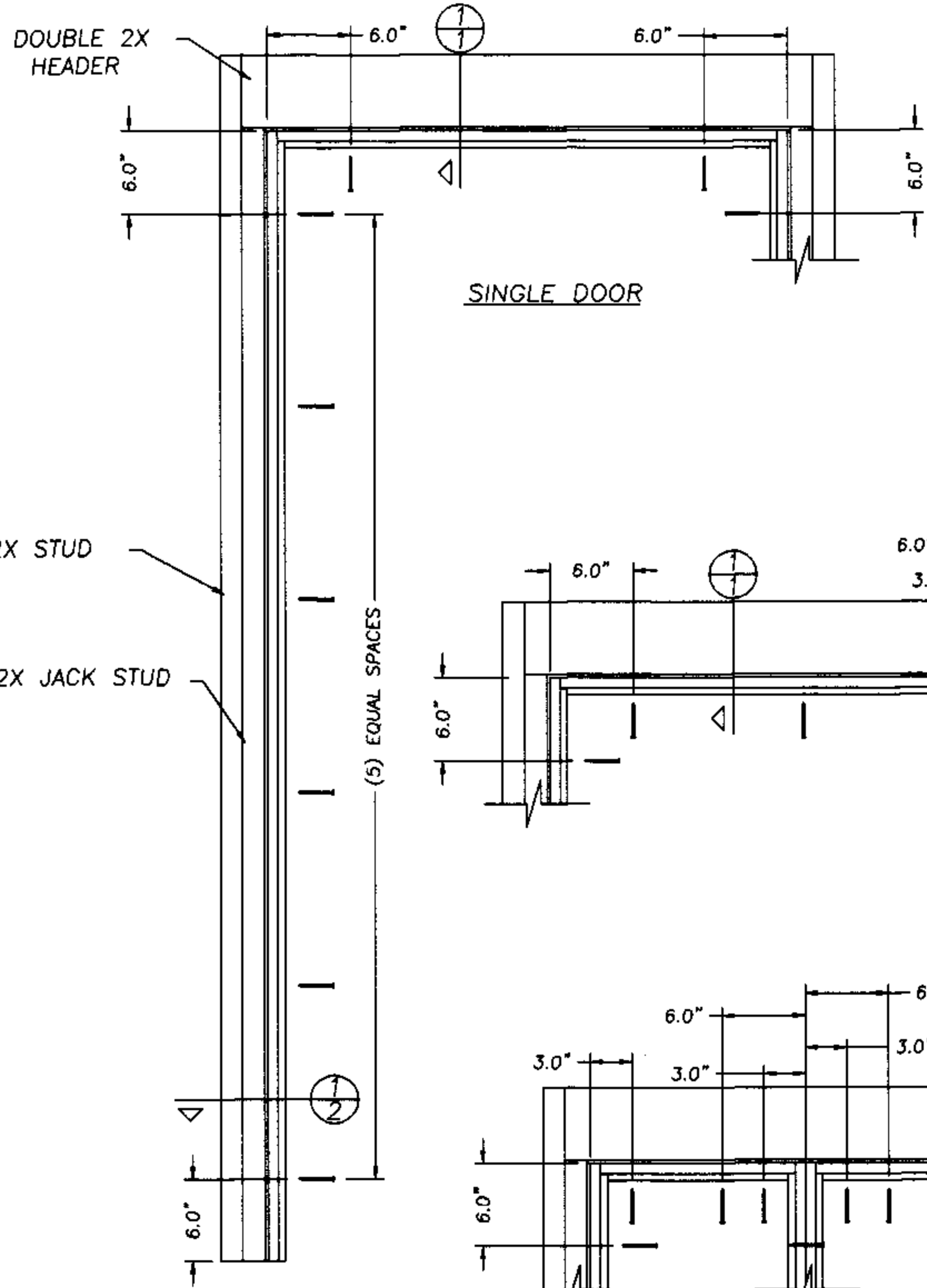
DATE: 8/1/02
 SCALE: NTS
 DWG. BY: WLN
 CHK. BY: RW
 DRAWING NO.: TAY-106-OC
 SHEET 3 OF 4



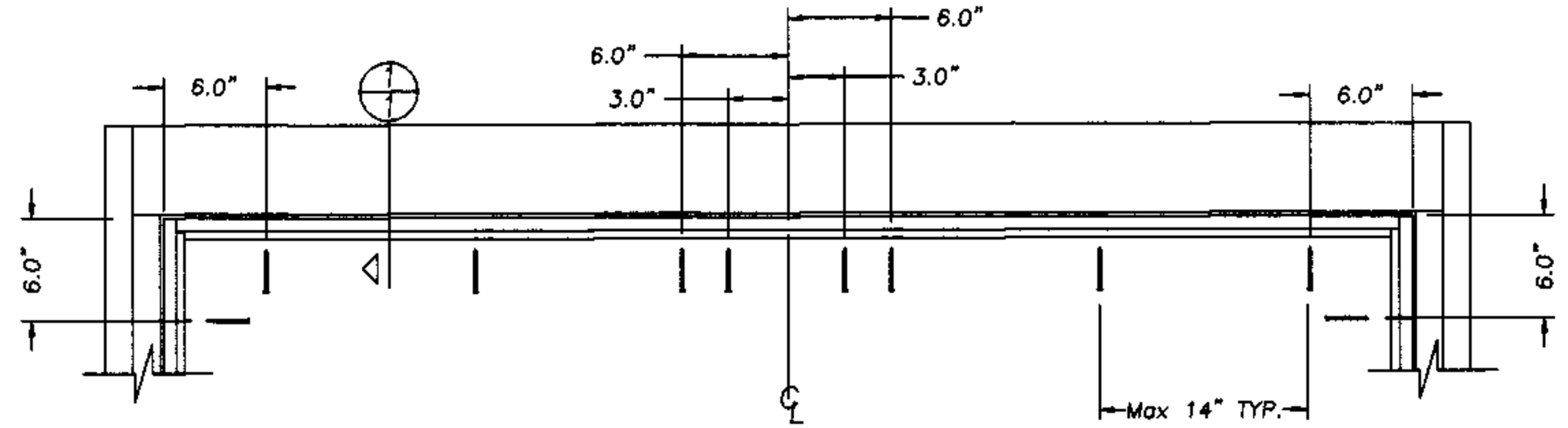
HEAD JAMB



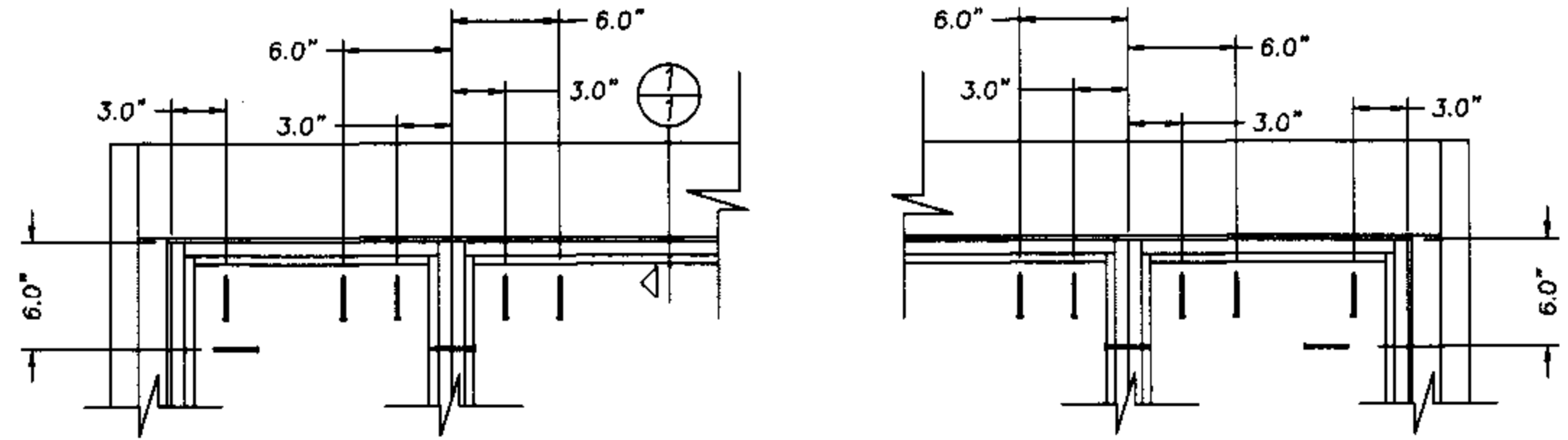
VERTICAL SIDE JAMB



SINGLE DOOR



DOUBLE DOOR



SINGLE OR DOUBLE DOOR WITH SIDELITES

[Handwritten signature]

AUGUST 1, 2002
 Lyndon F. Schmidt
 Florida P. E. No. 43409
 19506 French Lace Drive
 Lutz, FL 33558

Taylor
 TAYLOR BUILDING PRODUCTS, INC.
 631 NORTH FIRST STREET
 WEST BRANCH, MICHIGAN 48661
 PH. (517) 345-5110 FAX. (517) 345-5116

ANCHOR CROSS SECTIONS
 WOOD OR STEEL STUD
 IN-SWING / OUT-SWING
 WOOD FRAME

RW BUILDING
 CONSULTANTS, INC.
 813.659.9197

DATE: 8/1/02
 SCALE: NTS
 DWG. BY: WLN
 CHK. BY: RW
 DRAWING NO.:
 TAY-106-OC
 SHEET 4 OF 4