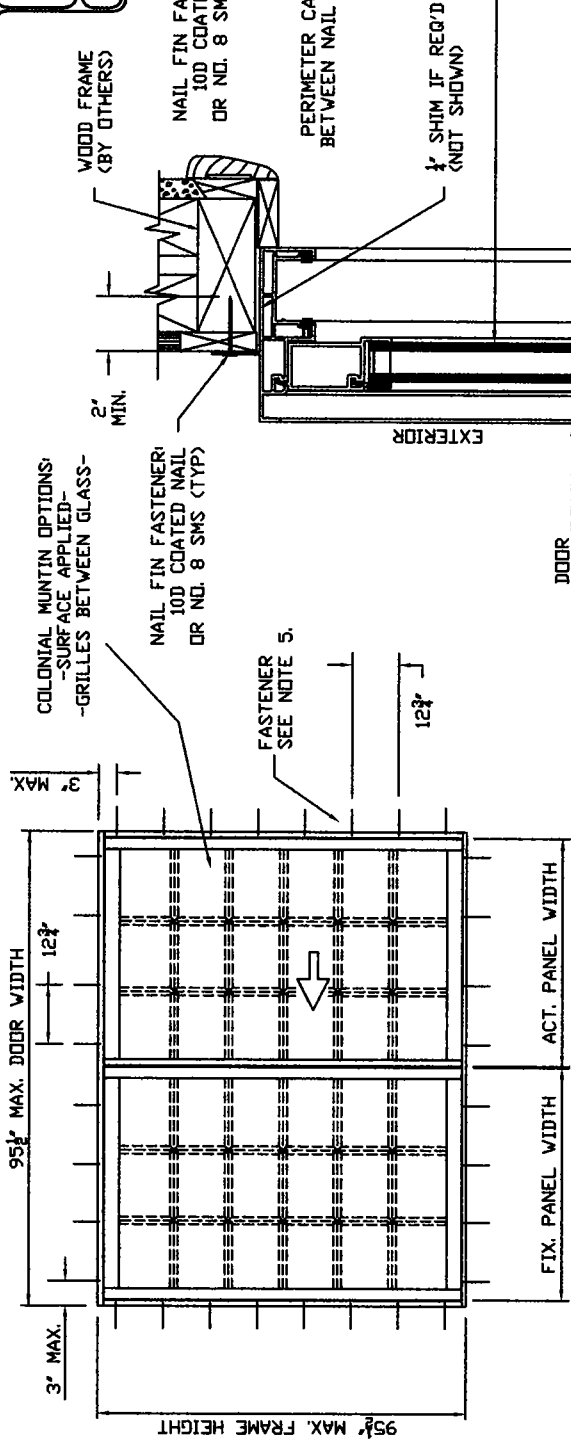
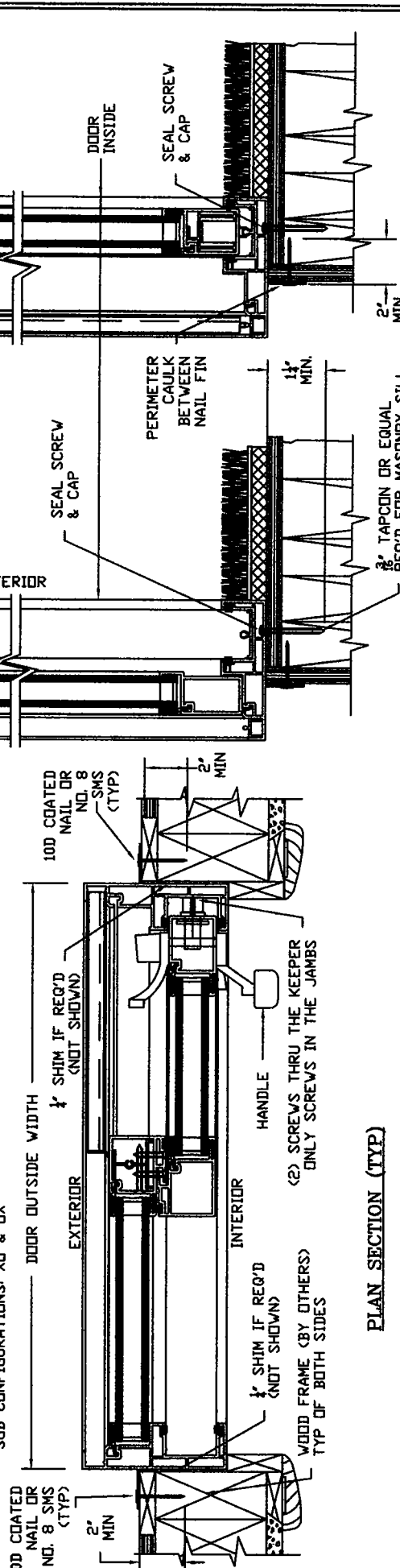


PRODUCT SERIES:
9600 SLIDING GLASS DOOR
WOOD FRAME INSTALLATION



TYPICAL ELEVATION W/FASTENER LOCATIONS
 SGD CONFIGURATIONS: XD & DX



PLAN SECTION (TYP)

- INSTALLATION NOTES:
- DESIGN STRUCTURAL LOAD/RATING: 30 PSF/SGD-R30
 - CERTIFIED TEST REPORT: C7LA-912W-2B
 - FRAME: PVC
 - GLASS: SINGLE PANE & INSULATED
 - FASTENERS: 304 SS OR COATED FOR CORROSION RESISTANCE.
 - GLAZING: CHANNEL GLAZED WITH A RIGID VINYL GLAZING BEAD FOR BOTH MONOLITHIC GLASS AND INSULATED GLASS. GLAZING BITE = 9/16" TYPICAL
 - DOOR SEALANTS: COMPLY W/AMA 800-92 OR EQUIVALENT.
 - STATE & LOCAL BLDG. CODES: CONFORMANCE IS SOLE RESPONSIBILITY OF THE ARCHITECT, BLDG. OWNER OR CONTRACTOR.

ELEVATION SECTION (FIXED)

ELEVATION SECTION (MOVING)

Drafts Larch
 3-24-3



Date: 08/14/02
 Scale: N.T.S.
 Drawn By: G.F.F.

***** Note *****
 PE certification is for structural loads only.

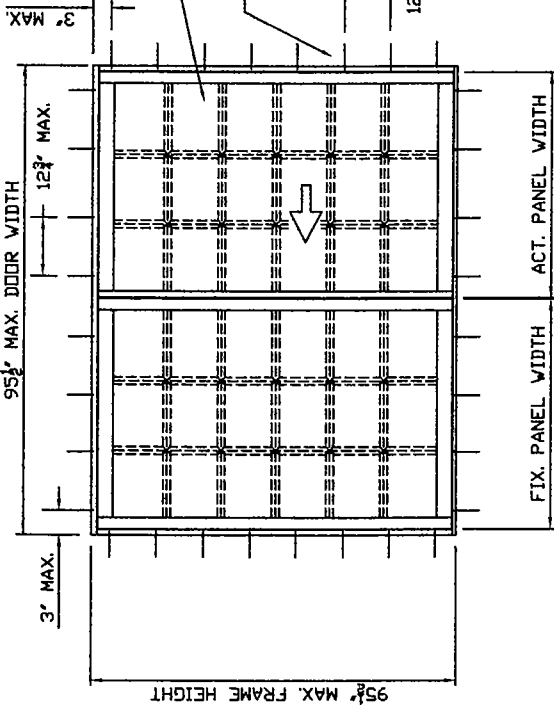
Engineering Approvals:
 Douglas Preston, PE
 FL License No. 53291
 11531 Wellman Dr.
 Riverview, FL 33569 (813)689-9418

SHEET NUMBER
 1 OF 1

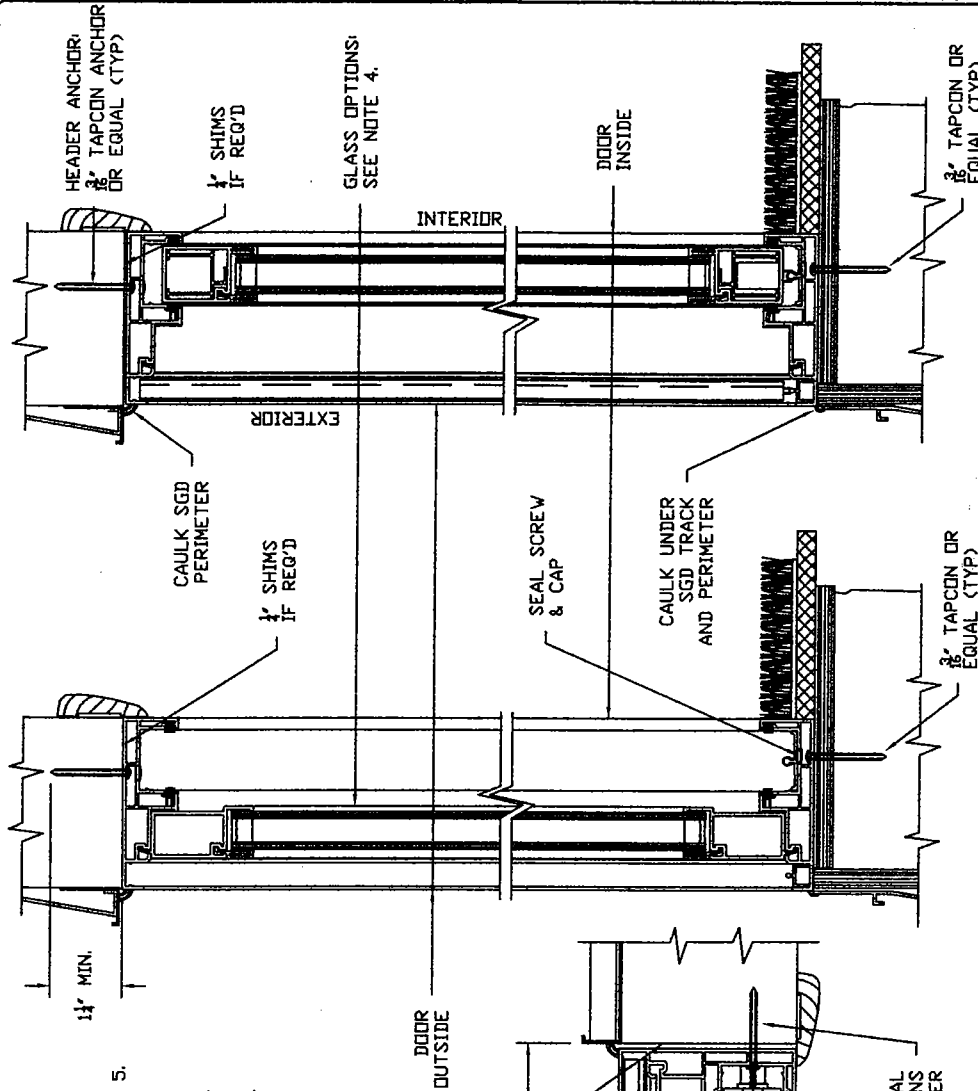
96W

PRODUCT SERIES:
9600 SLIDING GLASS DOOR
MASONRY INSTALLATION

COLONIAL MUNTIN OPTIONS:
 -SURFACE APPLIED-
 -GRILLES BETWEEN GLASS-

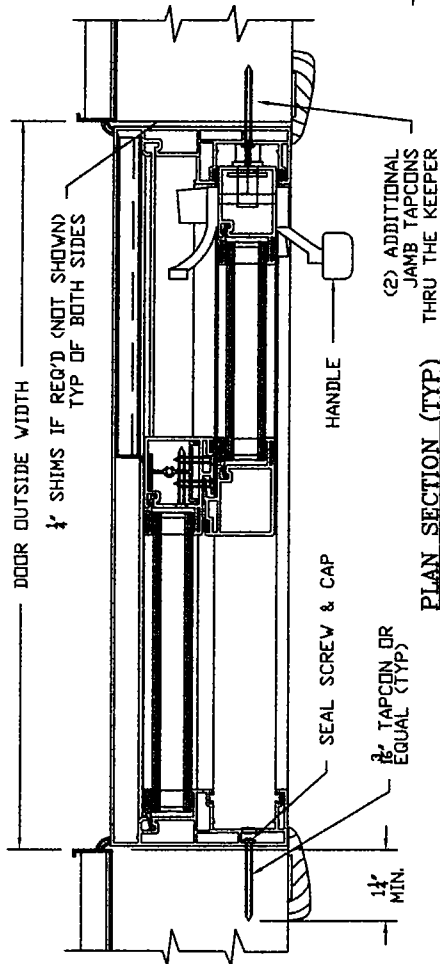


TYPICAL ELEVATION W/FASTENER LOCATIONS
 SGD CONFIGURATIONS XD & DX



ELEVATION SECTION (FIXED)

ELEVATION SECTION (MOVING)



PLAN SECTION (TYP)

INSTALLATION NOTES:

- DESIGN STRUCTURAL LOAD/RATING: 30 PSF/SGD-R30
- CERTIFIED TEST REPORT: C1A-912W-2B
- FRAME: PVC
- GLASS: SINGLE PANE & INSULATED
- FASTENERS: 304 SS OR COATED FOR CORROSION RESISTANCE.
- GLAZING: CHANNEL GLAZED WITH A RIGID VINYL GLAZING BEAD FOR BOTH MONOLITHIC GLASS AND INSULATED GLASS. GLAZING BITE = 9/16", TYPICAL
- DOOR SEALANTS: COMPLY W/MAMA 800-92 OR EQUIVALENT.
- WINDOW WOOD BUCKS: STRUCTURAL INTEGRITY AND ATTACHMENT TO THE WINDOW OPENING IS THE SOLE RESPONSIBILITY OF THE OWNER, ENGINEER, AND/OR THE CONTRACTOR.
- STATE & LOCAL BLDG. CODES: CONFORMANCE IS SOLE RESPONSIBILITY OF THE ARCHITECT, BLDG. OWNER OR CONTRACTOR.

Joseph Smith
 3-24-3



SEASONSHIELD INC. DRAWING NUMBER	SHEET NUMBER	Engineering Approvals: Douglas Preston, PE FL License No. 53291 11531 Wellman Dr. Riverview, FL 33569 (813.689.9418)	Date: 08/14/02
			Scale: N.T.S.
96M	1 of 1	***** Note ***** PE certification is for structural loads only.	Drawn by: G.F.F.