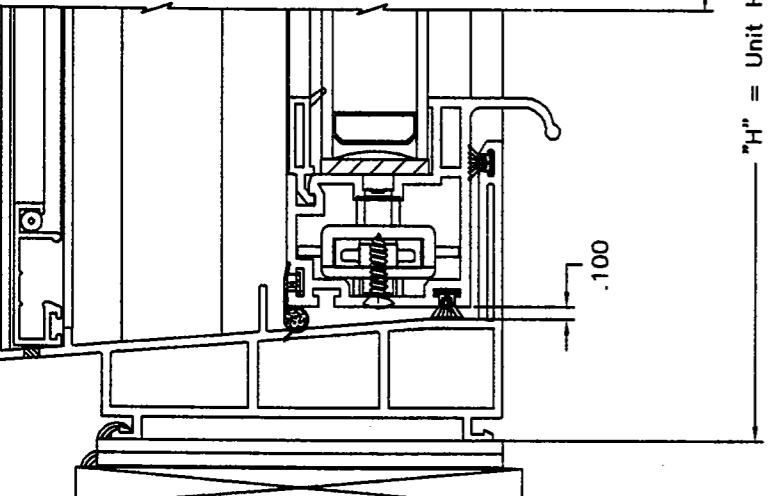
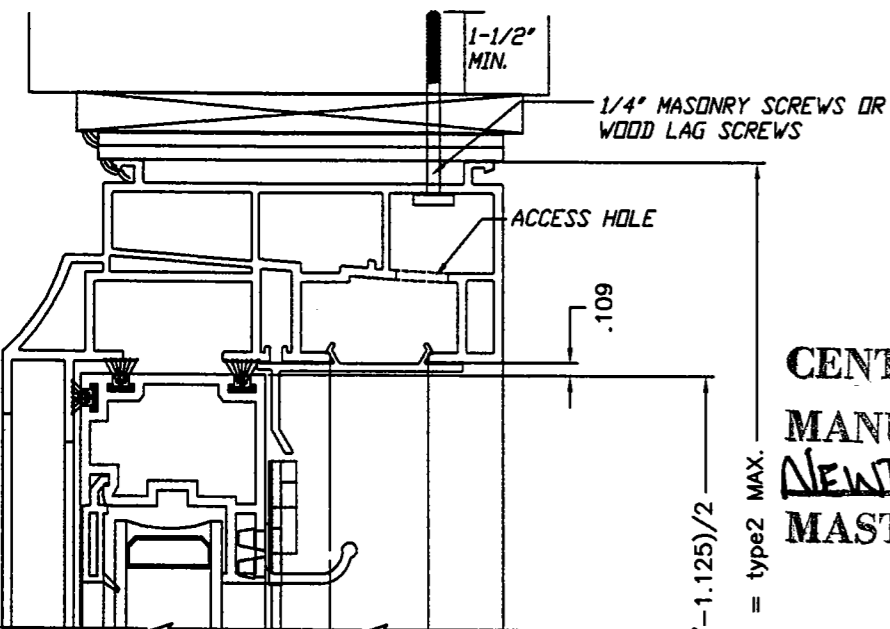


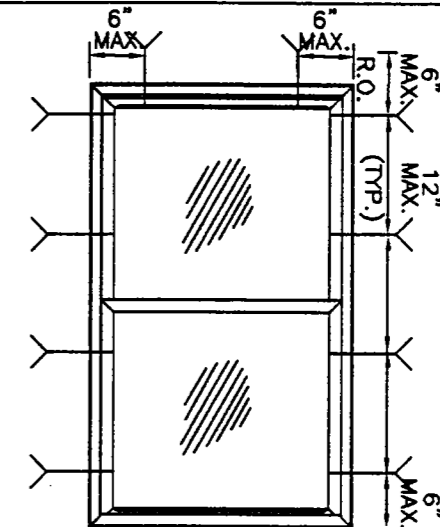
HEAD SECTION



SILL SECTION

NOTES:

1. SHIM AS REQUIRED WITH PVC SHIMS
2. ANCHOR MUST BE OF SUFFICIENT LENGTH TO PROVIDE 1-1/2" MIN. EMBEDMENT INTO MASONRY OR CONCRETE, OR 1-1/2" PENETRATION INTO EXISTING STRUCTURAL FRAME.
3. CAULK BETWEEN WINDOW FRAME AND BUCK
4. CAULK FULL PERIMETER OF WINDOW
5. GLASS THICKNESS MUST COMPLY WITH DESIGN WIND PRESSURES AND ASTM E1300
6. ALL FACTORY APPLIED HOLES NOT DESIGNATED FOR TAPCON SHOULD BE FILLED WITH #8 SCREWS OF SUFFICIENT LENGTH TO PROVIDE 5/8" EMBEDMENT INTO BUCK



LOCATION OF ANCHOR TO EXISTING CMU/FRAME

CENTRAL FLORIDA B.O.A.F.

MANUFACTURER NAME:

NewTown Manufacturing

MASTER FILE: *8800*

OUTSIDE

"W" = Unit Width

MAX. 4'-4" = TYP 1

3'-8" = TYPE 2

Sash Width = "W" - 3.375"

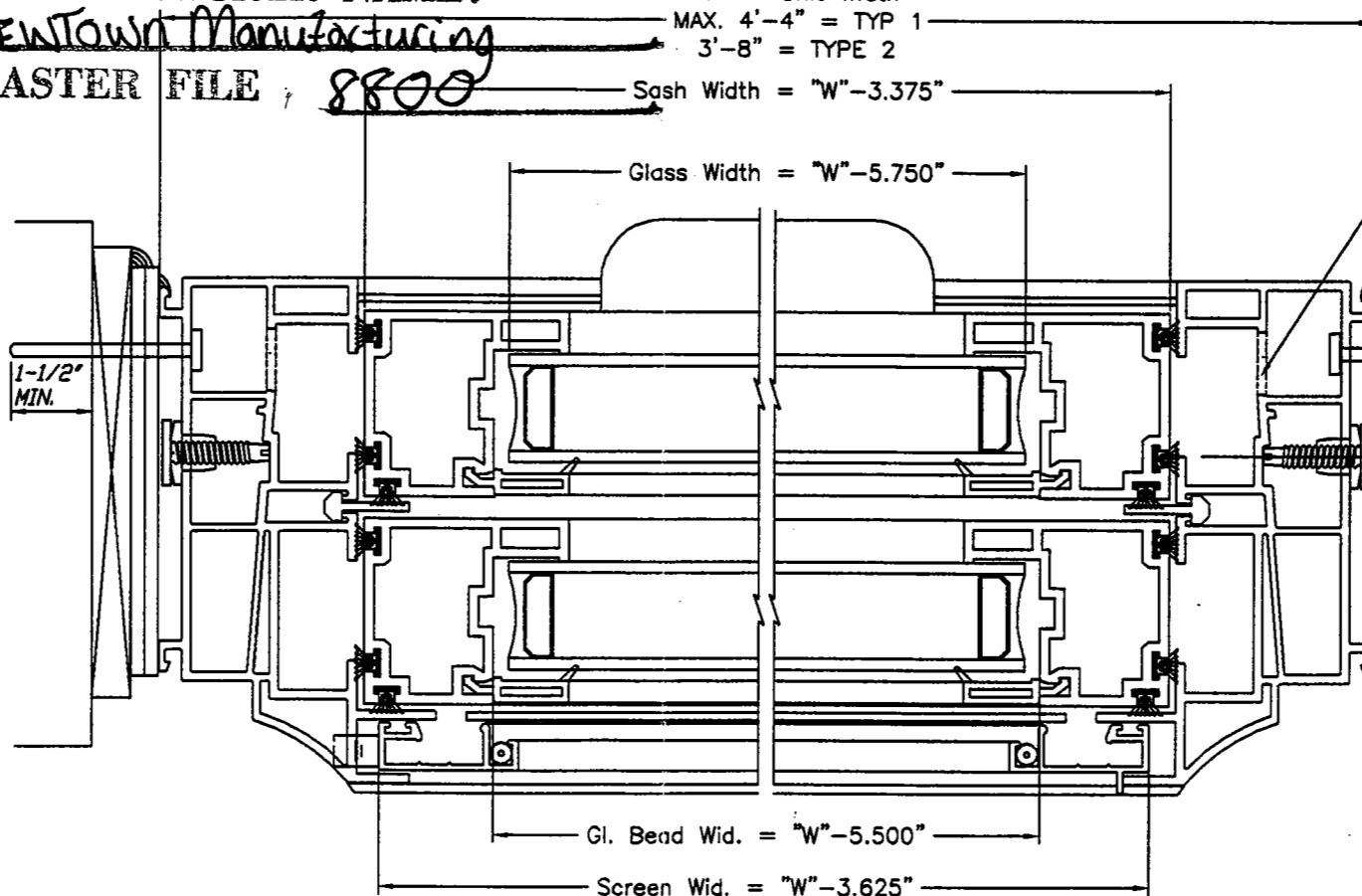
Glass Width = "W" - 5.750"

Gl. Bead Wid. = "W" - 5.500"

Screen Wid. = "W" - 3.625"

INSIDE

JAMB SECTION



NOTE:

DESIGN WIND PRESSURES:
 TYPE 1 = +/- 37.5 PSF
 TYPE 2 = +/- 82.5 PSF
 ref: AAMA/NWDA TEST REPORT FOR 2300/2500 DBL. HUNG
CLASS A CONTRACTING, INC.

THIS STRUCTURE HAS BEEN DESIGNED IN ACCORDANCE WITH, AND MEETS THE REQUIREMENTS OF SECTION 1606 OF THE FLORIDA BUILDING CODE, 2001 EDITION, AND ASCE 7-98 (WHERE APPLICABLE FOR 120 MILES PER HOUR OR LESS WIND SPEED. CERTIFICATION BY ENGINEER APPLIES TO WIND LOAD ONLY
 BASIC WIND SPEED = 120 MPH
 WIND IMPORTANCE FACTOR = 1.0
 WIND EXPOSURE CATEGORY = B
 INTERNAL PRESSURE COEFFICIENT = +/- 0.18
 AVERAGE DESIGN WIND PRESSURE = SEE NOTE

R. F. Dleck
 8/7/13
 R. F. DLECK
 FLPE# 52514

ESG ENGINEERING SERVICES GROUP, INC.

1299 W. FAIRBANKS AVE. STE. B.
 WINTER PARK, FL. 32789 - PH (407) 740-7111
 FAX (407) 740-7656 - E-mail: esg500k@aol.com

DESIGN BY:	R. L. V.	Dayton deceuninck
DATE:	02/03/13	
DRAWN BY:	R. L. V.	NAME: 8800 Series D. H. Assembly
DATE:	02/03/13	
FILENAME:	C	DWG. NO: 8800-A-01
RPDMSL	SCALE: 1:1 (Lbs/Ft)	SHEET: 1 OF 1