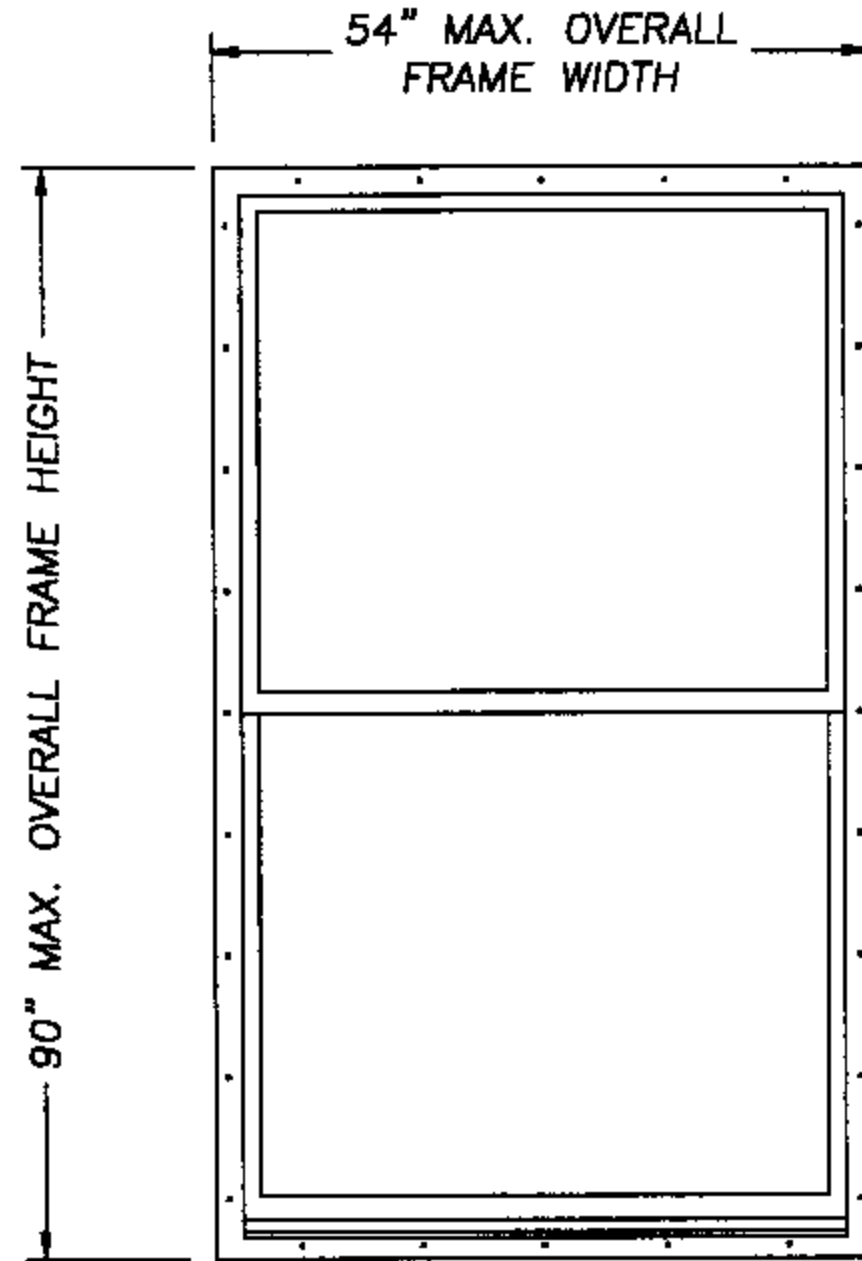


Silverline Building Products Corp.

SILVERLINE SERIES 2700 MODEL 2760
EXTRUDED VINYL SINGLE HUNG WINDOWS WITH NAILING FIN



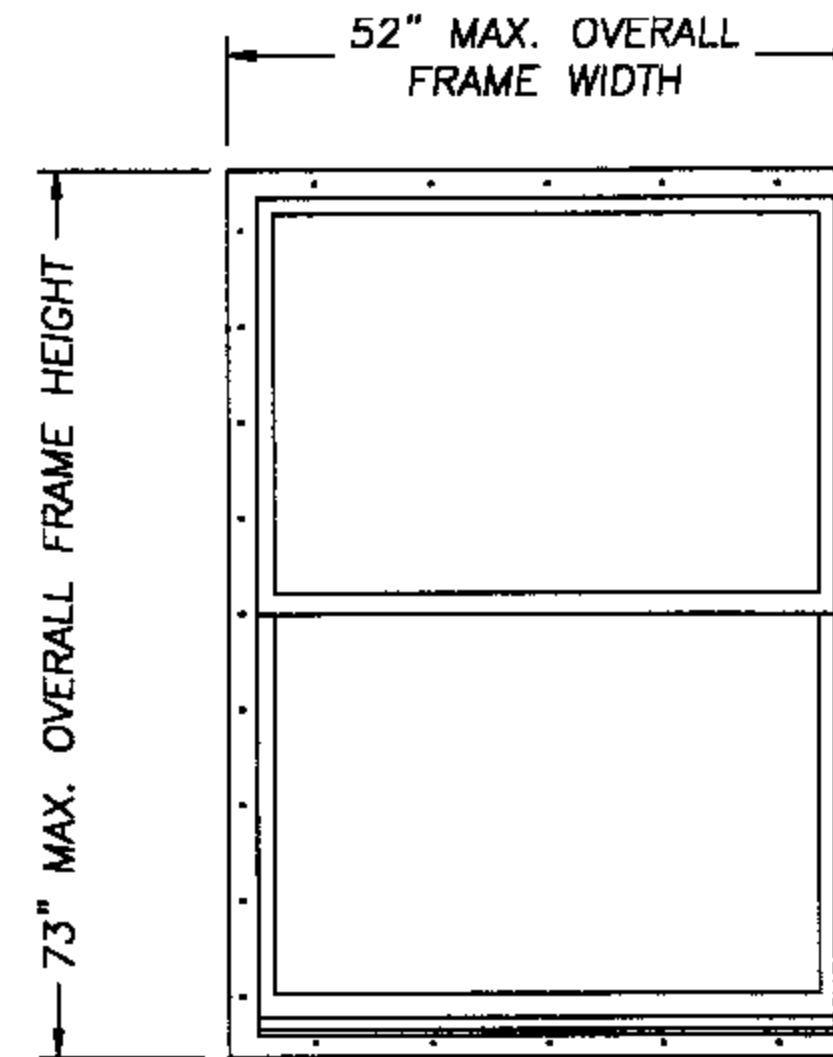
$\frac{O}{X}$

DESIGN PRESSURE RATING
POS. 40.0 NEG. 40.0

GLASS TABLE
5/8" INSULATED GLASS
1/8" ANN. - AIR SPACE - 1/8" ANN.

GENERAL NOTES

1. THIS PRODUCT IS DESIGNED TO COMPLY WITH THE FLORIDA BUILDING CODE.
2. PRODUCT ANCHORS SHALL BE AS LISTED AND SPACED AS SHOWN ON DETAILS.
3. WHEN THIS PRODUCT IS USED IN AN AREA REQUIRING WINDBORNE DEBRIS PROTECTION, FLORIDA BUILDING CODE APPROVED IMPACT RESISTANT SHUTTERS ARE REQUIRED.
4. MASONRY ANCHORING FOR 1x BUCK SEE SHEET 2 OF 3.
5. MASONRY ANCHORING FOR 2x BUCK SEE SHEET 3 OF 3.



$\frac{O}{X}$

DESIGN PRESSURE RATING
POS. 60.0 NEG. 60.0

GLASS TABLE
5/8" INSULATED GLASS
1/8" ANN. - AIR SPACE - 1/8" ANN. (FIXED LITE)
5/32" ANN. - AIR SPACE - 5/32" ANN. (SASH)

PRODUCT DESCRIPTION

1. VINYL SINGLE HUNG WINDOW WITH MITERED AND WELDED CORNERS.
2. THE HEAD AND SIDE JAMBS ARE EXTRUDED VINYL WITH AN EXTERIOR WALL THICKNESS OF 0.070" +/- 0.008".
3. ALL ACTIVE SASH MEMBERS REINFORCED WITH SOLID ALUMINUM BAR STOCK.
4. THE FIXED MEETING RAIL UTILIZES A ROLLED FORMED STEEL REINFORCEMENT.
5. ALL FRAME MEMBERS HAVE AN INTEGRAL NAILING FIN.

Lyndon F. Schmidt
August 21, 2002
Lyndon F. Schmidt
Florida, P. E. No. 43409
19506 French Lace Drive Lutz, FL 33558

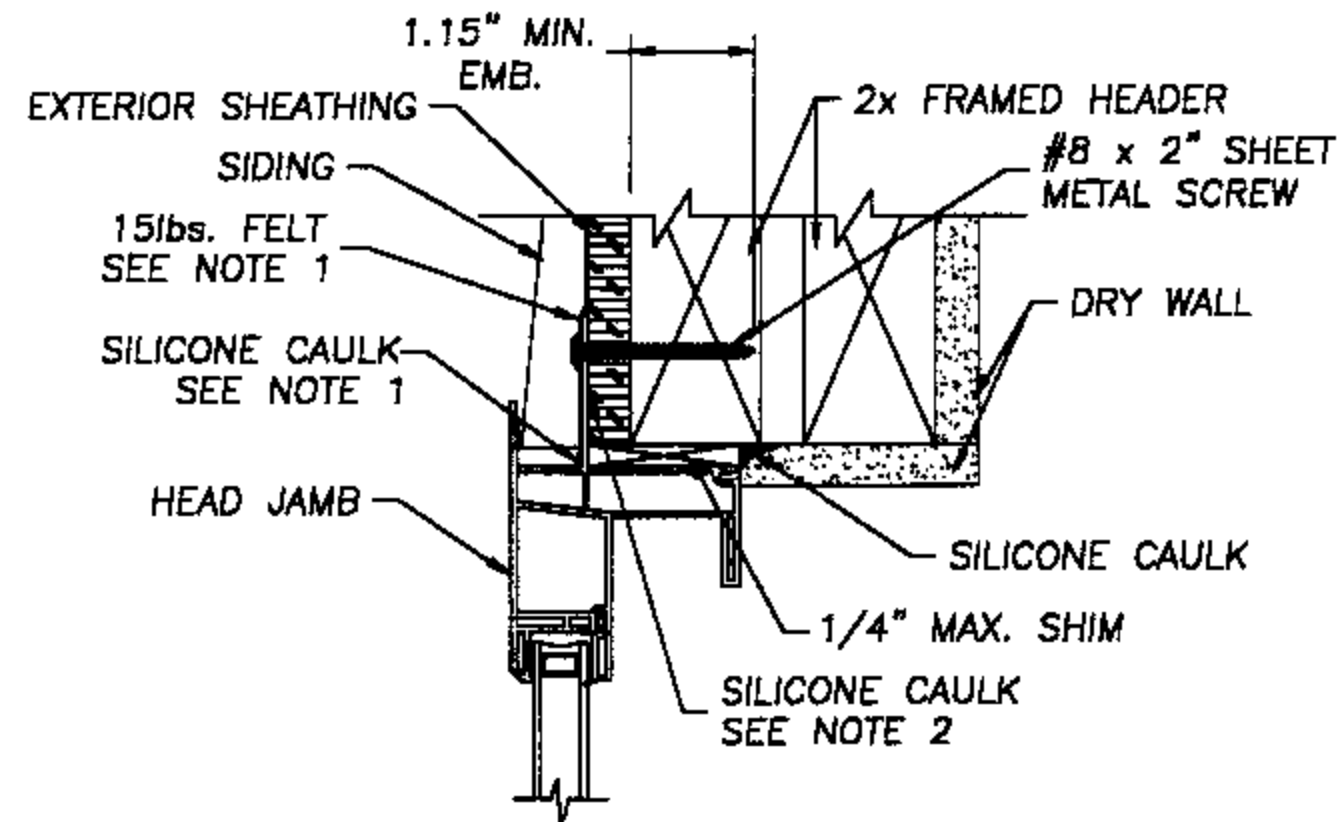
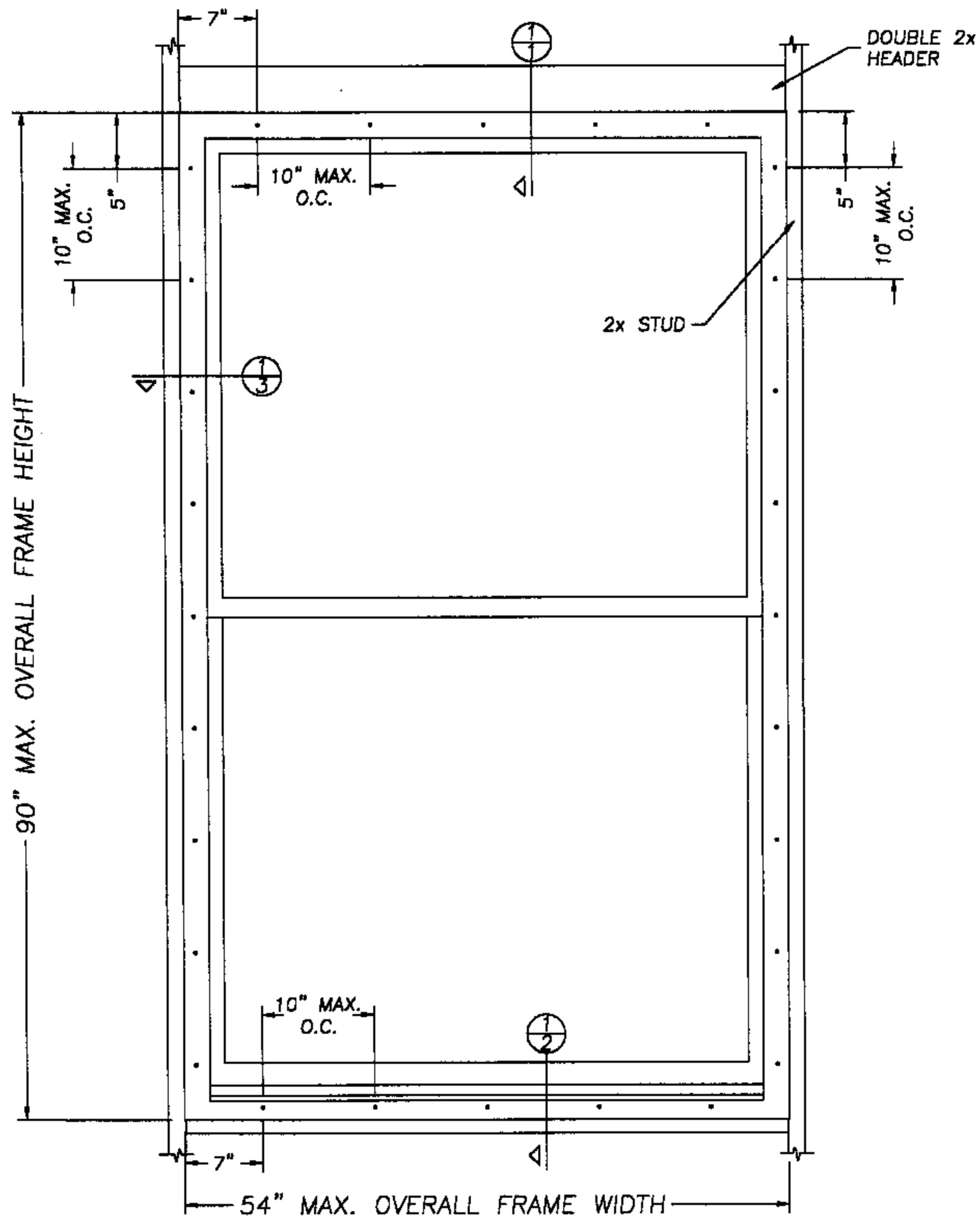
Silverline Building Products Corp.
One Silverline Drive
North Brunswick, NJ 08902
PH. 732.435.1000

PRODUCT: SILVERLINE
EXTRUDED VINYL SINGLE
HUNG WINDOW W/NAILING FIN
PART OR ASSEMBLY:
GENERAL NOTES &
TYPICAL ELEVATIONS

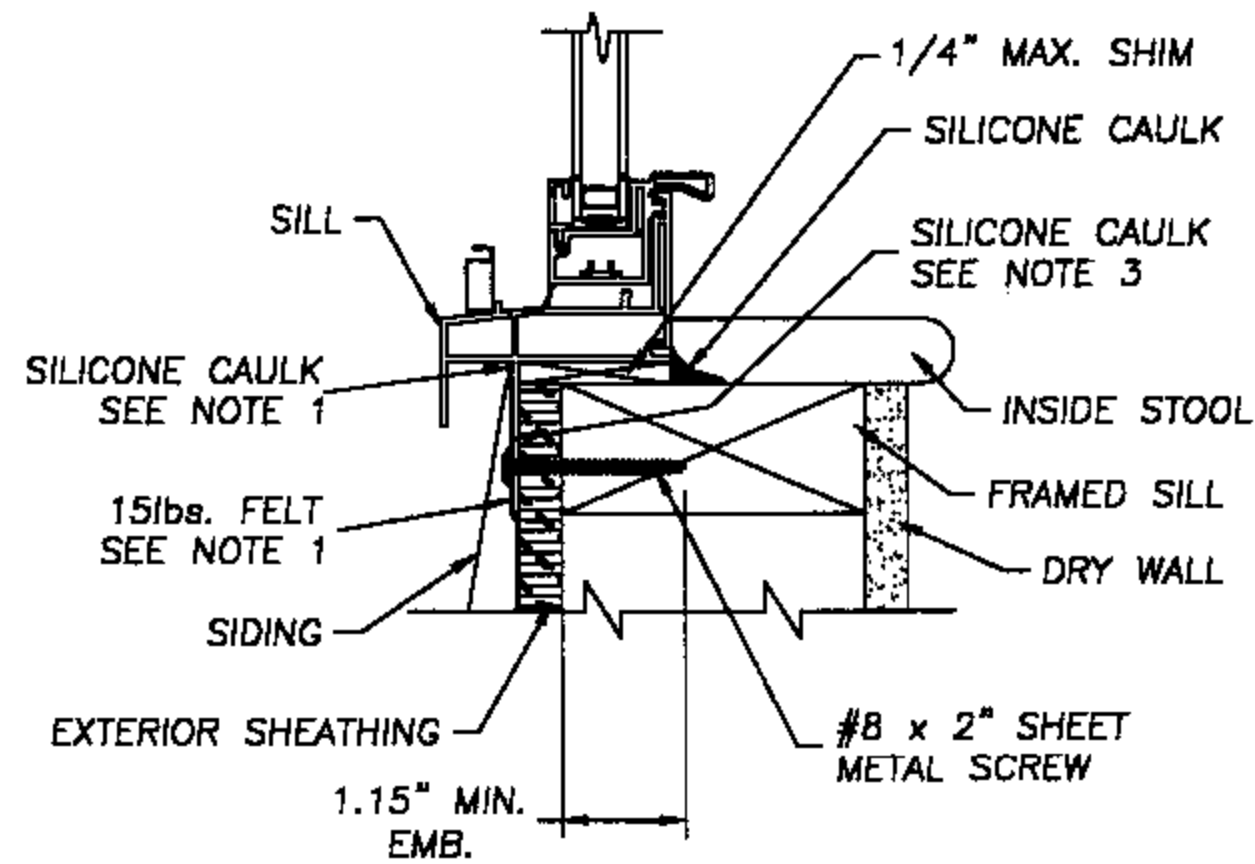
NO.	DATE	REVISIONS	BY

RW BUILDING
CONSULTANTS, INC.
813.659.9197

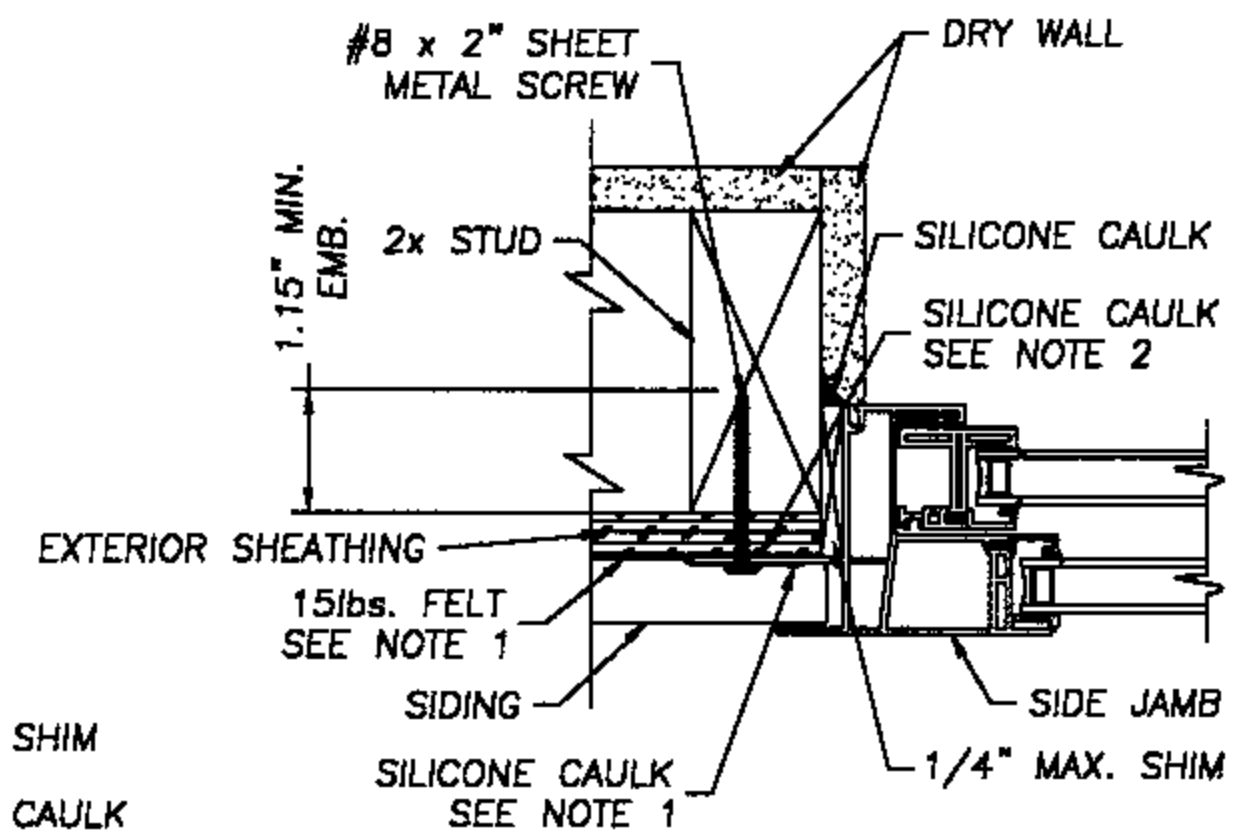
DATE: 8/19/02
SCALE: N.T.S.
DWG. BY: WLN
CHK. BY: RW
DRAWING NO.:
SL-414-OC
SHEET 1 OF 2



1-1 HEAD JAMB



2-2 SILL



3-3 VERTICAL JAMB

NOTE:

1. 15lbs. felt must be used as a water barrier. The felt must cover the nailing fin and anchor screw heads. All loose edges of the felt paper must be sealed with silicone caulk.
2. The full perimeter of the window nailing fin must have a heavy bead of caulk applied to the building side before the window is placed in the opening.

PROJECT

August 21, 2002

Lyndon F. Schmidt
Florida P. E. No. 43409
19506 French Lake Drive
Lutz, FL 33558

Silverline Building Products Corp.
One Silverline Drive
North Brunswick, NJ 08902
PH. 732.435.1000

ANCHORING CROSS SECTIONS
FOR 2X STUD CONSTRUCTION
SINGLE HUNG VINYL
WINDOW W/ NAILING FIN

RW BUILDING
CONSULTANTS, INC.
813.659.9197

DATE: 8/19/02

SCALE: N.T.S.

DWG. BY: WLN

CHK. BY: R.W.

DRAWING NO.:
SL-414-OC

SHEET 2 OF 2