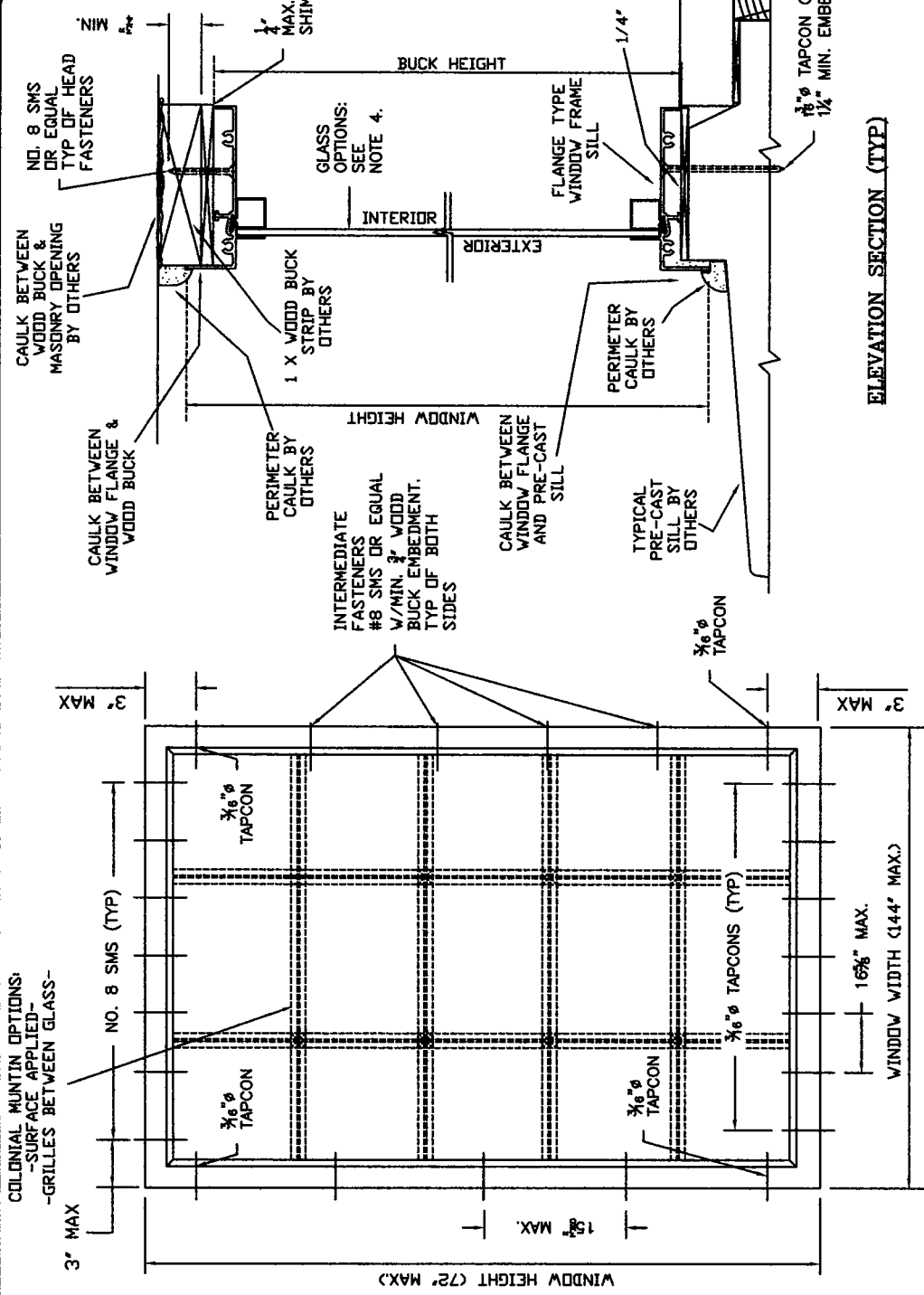


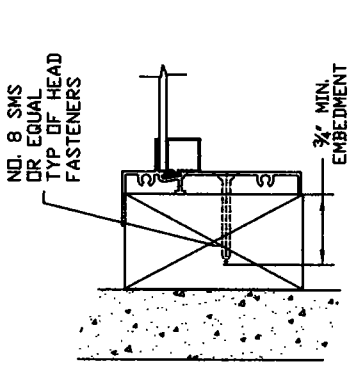
PRODUCT SERIES:  
**6600 PICTURE WINDOW**  
**MASONRY INSTALLATION**



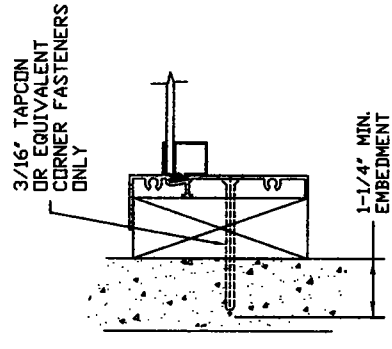
**TYPICAL ELEVATION W/FASTENER LOCATIONS**

WINDOW INSTALLATION NOTES:

- DESIGN STRUCTURAL LOAD/RATING: 30 PSF/F-C30, 100 PSF/F-C100, 60 PSF/F-C60
- CERTIFIED TEST REPORTS: NCTL-210-2231-4, 5 & 6
- FRAME: 6063-T6 ALUMINUM/FLANGE TYP
- GLASS: SINGLE PANE & INSULATED
- FASTENERS: 304 SS OR COATED FOR CORROSION RESISTANCE.
- GLAZING: INTERIOR GLAZED WITH ADHESIVE SILICONE BACK-BEDDING AND A SNAP IN RIGID PVC OR EXTRUDED ALUMINUM GLAZING BEAD. GLAZING BITE = .344\"
- WINDOW SEALANTS: COMPLY W/AMA 800-92 OR EQUIVALENT.
- WINDOW WOOD BUCKS: STRUCTURAL INTEGRITY AND ATTACHMENT TO THE WINDOW OPENING IS THE SOLE RESPONSIBILITY OF THE OWNER, ENGINEER, AND/OR THE CONTRACTOR.
- STATE & LOCAL BLDG. CODES: CONFIRMANCE IS SOLE RESPONSIBILITY OF THE ARCHITECT, BLDG. OWNER OR CONTRACTOR.



**2 X BUCK JAMB SECTION (TYP)**  
 NOTE: CAULK BETW. BUCK & MASONRY, FLG & BUCK & WINDOW PERIMETER.



**1 X BUCK JAMB SECTION (TYP)**  
 NOTE: CAULK BETW. BUCK & MASONRY, FLG & BUCK & WINDOW PERIMETER.



*Design*  
 3-24-3

Date:	03/02/02
Scale:	N.T.S.
Drawn By:	NGH.

***** Note *****
PE certification is for structural loads only.

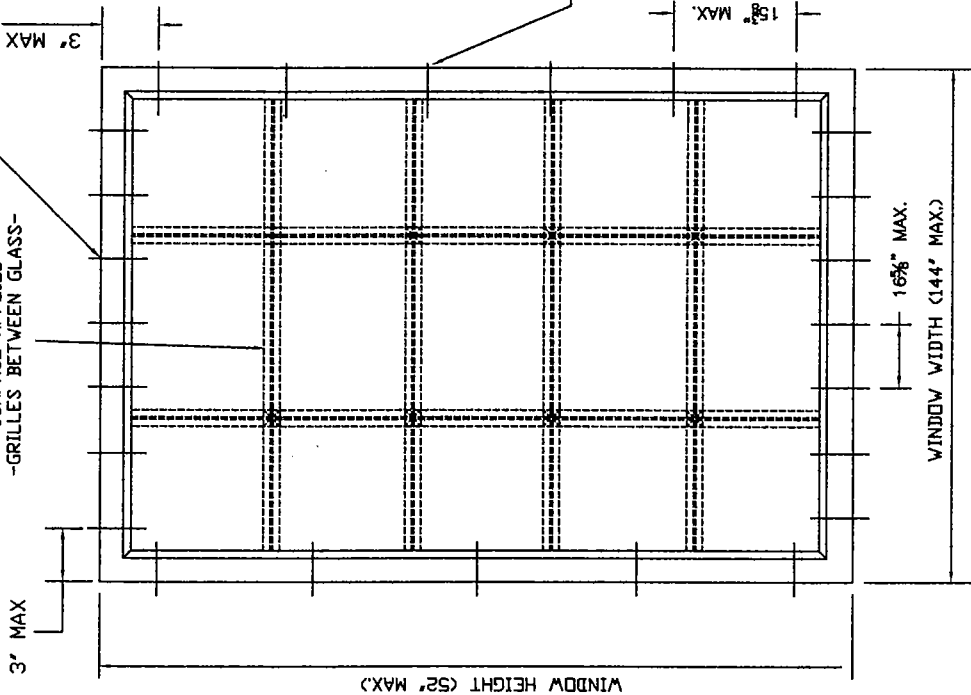
Engineering Approvals:	Douglas Preston, PE
	FL License No. 53291
	11531 Wellman Dr.
	Riverview, FL 33569 (813.689.9418)

SEASONSHIELD INC. DRAWING NUMBER	66M
SHEET NUMBER	1 of 1

PRODUCT SERIES:  
**6600 PICTURE WINDOW**  
**WOOD FRAME INSTALLATION**

WINDOW FASTENER:  
 SEE NOTE 5.

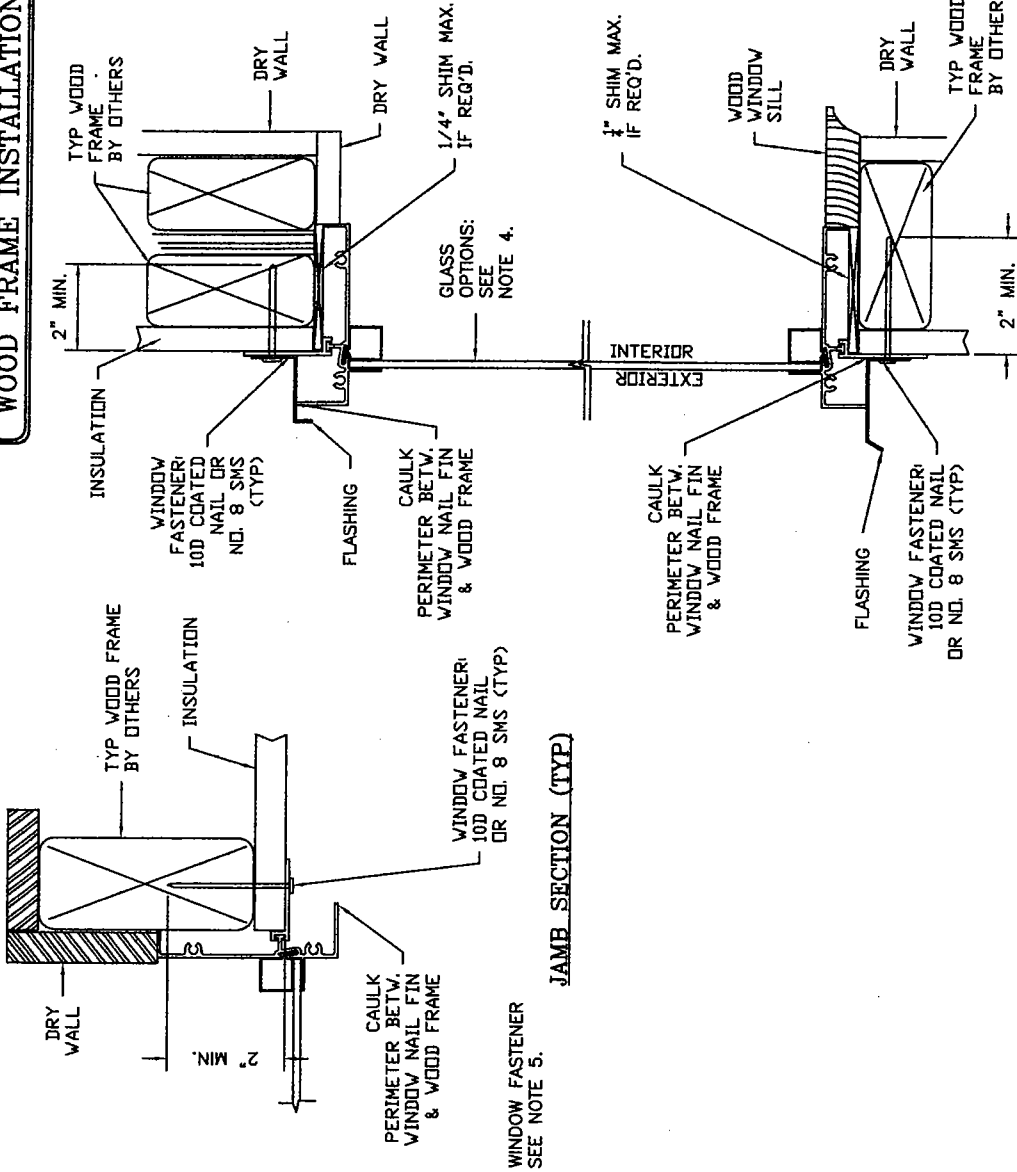
COLONIAL MUNTIN OPTIONS:  
 -SURFACE APPLIED-  
 -GRILLES BETWEEN GLASS-



**TYPICAL ELEVATION W/FASTENER LOCATIONS**

**WINDOW INSTALLATION NOTES:**

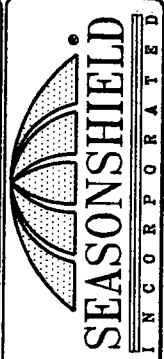
1. DESIGN STRUCTURAL LOAD/RATING: 30 PSF/F-C30, 100 PSF/F-C100, 60 PSF/F-C60
2. CERTIFIED TEST REPORT: NCTL-210-2231-4, 5 & 6
3. FRAME: 6063-T6 ALUMINUM/FIN TYP
4. GLASS: SINGLE PANE & INSULATED
5. FASTENERS: 304 SS OR COATED FOR CORROSION RESISTANCE
6. GLAZING: INTERIOR GLAZED WITH ADHESIVE SILICONE BACK-BEDDING AND A SNAP IN RIGID PVC OR EXTRUDED ALUMINUM GLAZING BEAD. GLAZING BITE = .344\"/>



**JAMB SECTION (TYP)**

**ELEVATION SECTION (TYP)**

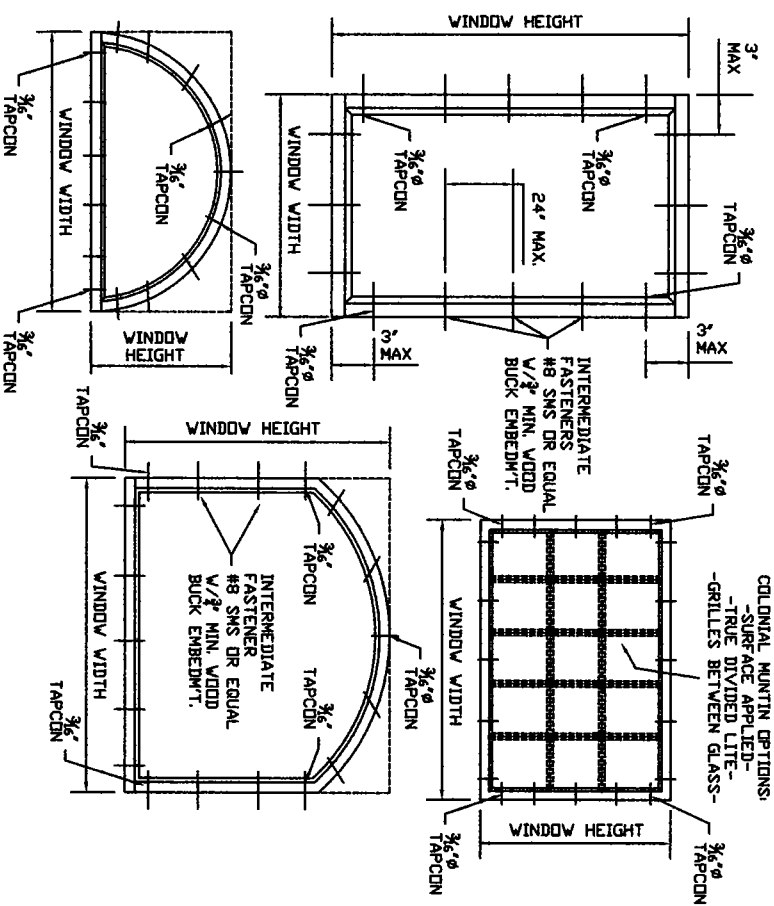
*Drawn by*  
 13-24-3



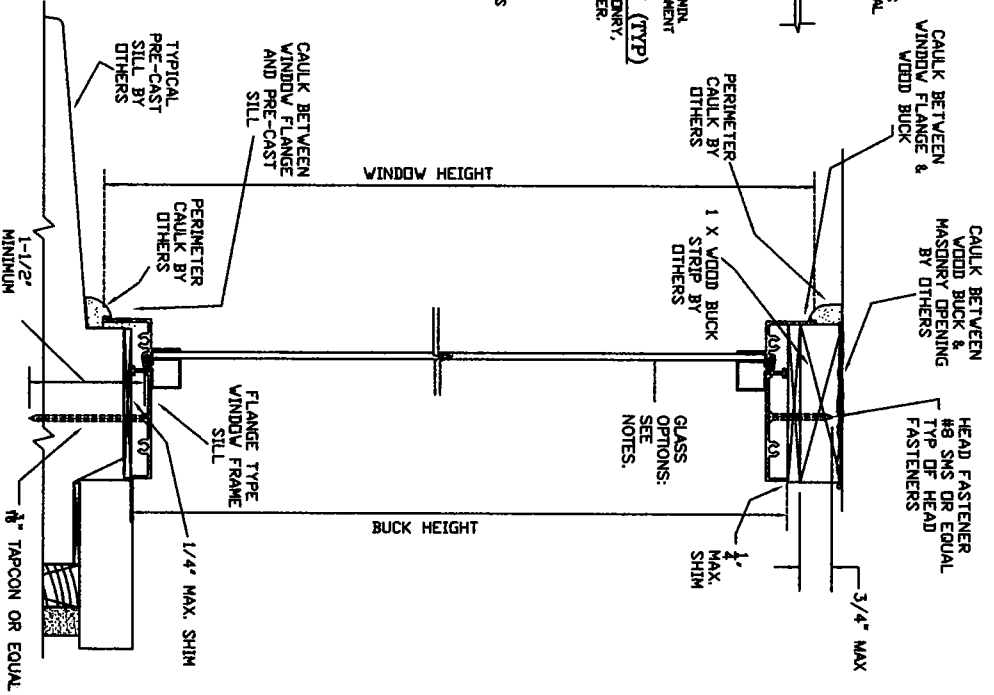
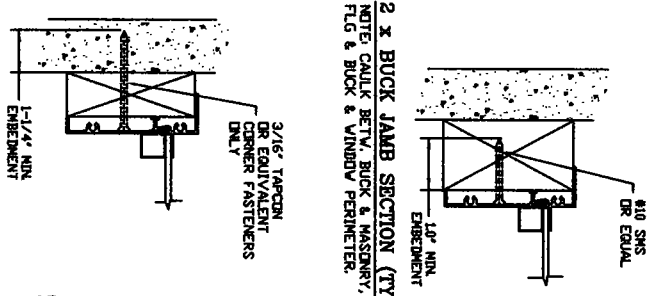
SEASONSHIELD INC. DRAWING NUMBER	SHEET NUMBER	Engineering Approvals:	***** Note *****
			Date: 03/02/02
66W	1 of 1	Douglas Preston, PE	PE certification is for structural loads only.
		FL License No. 53291	Scale: N.T.S.
		11531 Wellman Dr.	Drawn By: N.G.H.
		Riverview, FL 33569 (813.689.9418)	

PRODUCT SERIES:  
6600 DESIGNER WINDOW

ELEVATION DETAIL



COLUMNAL MUNTIN OPTIONS:  
-SURFACE APPLIED-  
-TRUE DIVIDED LITE-  
-GRILLES BETWEEN GLASS-



TYPICAL ELEVATION W/FASTENER LOCATIONS  
ALTERNATE SHAPES NOT SHOWN ARE ALLOWABLE AND CAN BE VERIFIED BY INSCRIBING PICTURE WINDOW SHAPE WITHIN SQUARE OR RECTANGLE AS SHOWN IN DOTTED LINES

- WINDOW INSTALLATION NOTES:
- DESIGN STRUCTURAL LOAD/RATING: 30 PSF/F-C30, 100 PSF/F-C100, 80 PSF/F-C60
  - CERTIFIED TEST REPORTS: NGL-210-2231-4, 5 & 63, FRAME: 6063-T6 ALUMINUM/FLANGE TYP.
  - GLASS: SINGLE PANE & INSULATED.
  - FASTENERS: 304SS OR COATED FOR CORROSION RESISTANCE.
  - GLAZING: INTERIOR GLAZED WITH ADHESIVE SILICONE BACK-BEDDING AND A SNAP IN RIGID PVC OR EXTRUDED ALUMINUM BEAD. GLAZING BITE = 3/4" TYPICAL.
  - WINDOW SEALANTS: COMPLY W/AAMA 800-92 OR EQUIVALENT.
  - WINDOW WOOD BUCKS: STRUCTURAL INTEGRITY AND ATTACHMENT TO THE WINDOW OPENING IS THE SOLE RESPONSIBILITY OF THE OWNER, ENGINEER, AND/OR THE CONTRACTOR.
  - STATE & LOCAL BLDG. CODES: CONFORMANCE IS SOLE RESPONSIBILITY OF THE ARCHITECT, BLDG. OWNER OR CONTRACTOR.

*Douglas Preston*  
3-24-3

SEASONSHIELD INC.  
DRAWING NUMBER  
D66M

SHEET NUMBER  
1 OF 1

Engineering Approvals:  
Douglas Preston, PE  
FL License No. 53291  
11531 Wellman Dr.  
Riverview, FL 33569 (813)689-9418

\*\*\*\*\* Note \*\*\*\*\*  
PE certification is for structural loads only.

Date: 03/02/02  
Scale: N.T.S.  
Drawn By: N.G.H.

