

Performance Class:
AAMA/NWDA 101/I.S.2-97
 Each rating applies to windows of the indicated size and smaller.

		31" x 87" F-C80 / DP 80
79" x 79" F-C35 / DP 35 V99F-139		V99F-141
	50" x 50" F-C65 / DP 65 V99F-145	

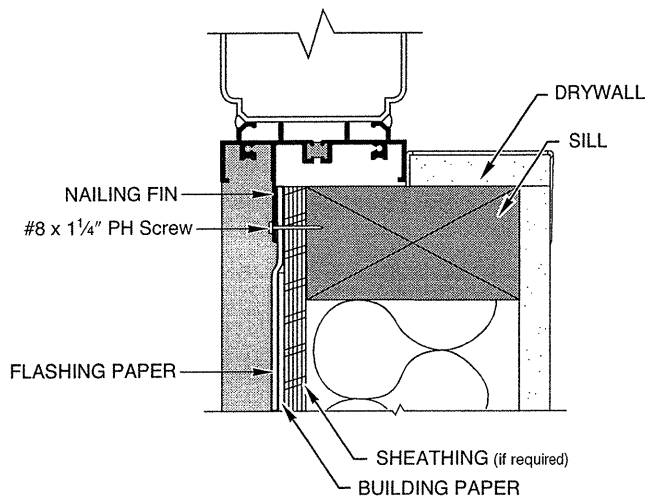
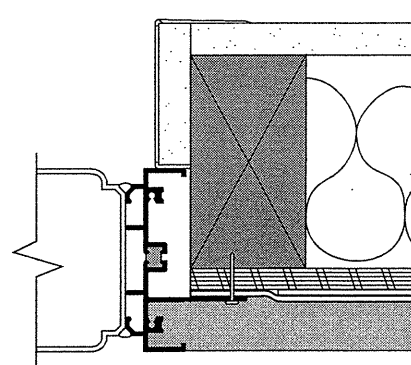
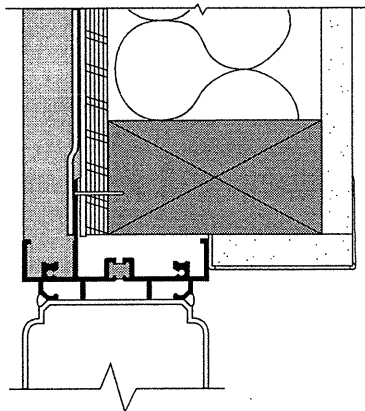
Window Fastener Requirements
 Corrosive resistant #8 x 1 1/4" PH Screw or equivalent
 3"-10" from all corners, 16" O.C. Max.

Hy-Lite PRODUCTS, INC. 101 California Ave. Beaumont, CA 92223

Series 625/825 Max. DP 80

Drawn by: M. Smith	Date: 09/26/01
------------------------------	--------------------------

2 1/4" Aluminum Frame Window Installation



Performance Class:
AAMA/NWDA 101/I.S. 2-97
 Each rating applies to windows of the indicated size and smaller.

98" x 98" F-C30 / DP 30 A00F-146	31" x 87" F-C80 / DP 80 V99F-141
74" x 74" F-HC40 / DP 40 A01F-043	50" x 50" F-HC80 / DP 80 A99F-183

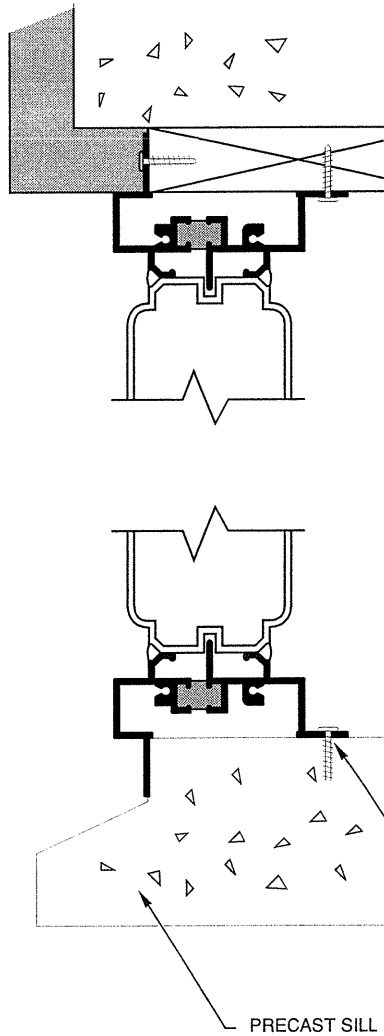
Window Fastener Requirements
 Corrosive resistant #8 x 1 1/4" PH Screw or equivalent
 3"-10" from all corners, 16" O.C. Max.

Hy-Lite PRODUCTS, INC. 101 California Ave. Beaumont, CA 92223

Series 600/800 Max. DP 80

Drawn by: M. Smith	Date: 09/26/01
------------------------------	--------------------------

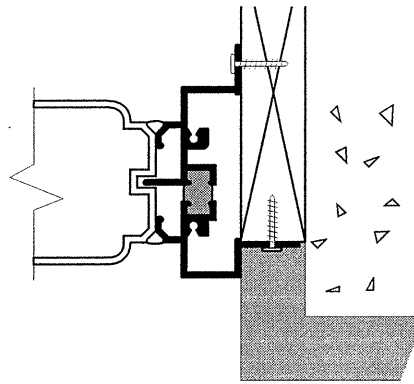
3" Aluminum Frame Window Installation



1 1/4" Penetration with 3/16" Tap Con Screws
6" from corner and 24" on center

PRECAST SILL

Window Fastener Requirements
Corrosive resistant #8 x 1 1/4" PH Screw or equivalent
3"-10" from all corners, 16" O.C. Max.



Performance Class:
AAMA/NWDA 101/I.S.2-97
Each rating applies to windows of the
indicated size and smaller.

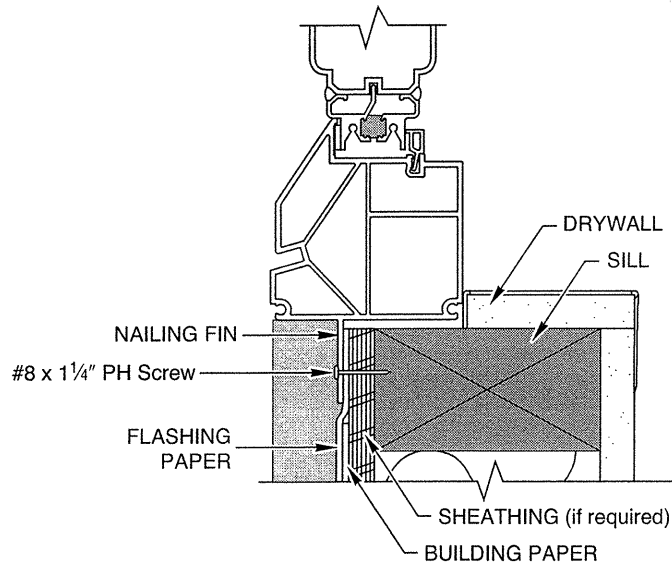
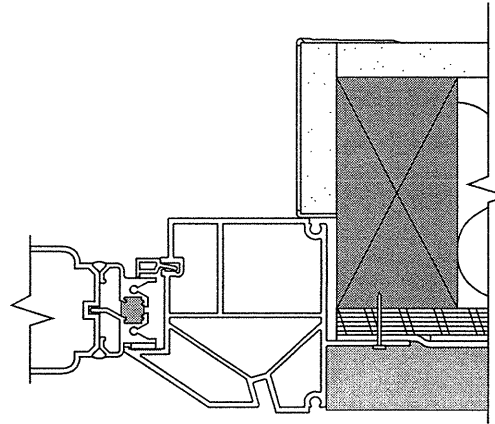
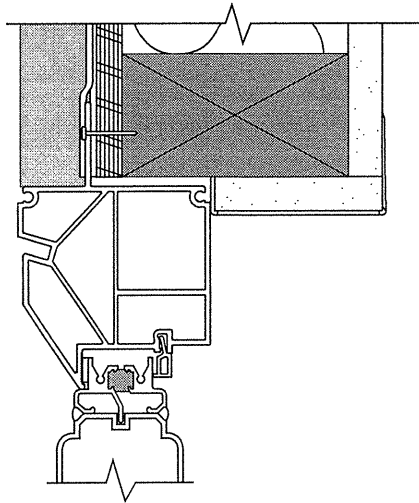
	31" x 87" F-C80 / DP 80
79" x 79" F-C35 / DP 30 V99F-139	V99F-141
	50" x 50" F-C65 / DP 65 V99F-145

Hy-Lite PRODUCTS, INC. 101 California Ave.
Beaumont, CA 92223

Series 625/825 Max. DP 80

Drawn by: M. Smith	Date: 09/26/01
------------------------------	--------------------------

Stucco Flange Window Installation



Window Fastener Requirements

Corrosive resistant #8 x 1 1/4" PH Screw or equivalent
3"-10" from all corners, 16" O.C. Max.

Performance Class:
AAMA/NWDA 101/I.S.2-97
Each rating applies to windows of the indicated size and smaller.

Fixed Units

	31" x 87" F-C80 / DP 80
79" x 79" F-C35 / DP 35	V99F-141
V99F-139	
	55" x 55" F-C65 / DP 65
	V99F-145

Operable Units

	31" x 55" F-C40 / DP 40
61" x 37" AP-C40 / DP 40	V99C-143
V99A-144	



101 California Ave.
Beaumont, CA 92223

Prestige Series Max. DP 80

Drawn by:

M. Smith

Date:

09/26/01

Vinyl Window Installation