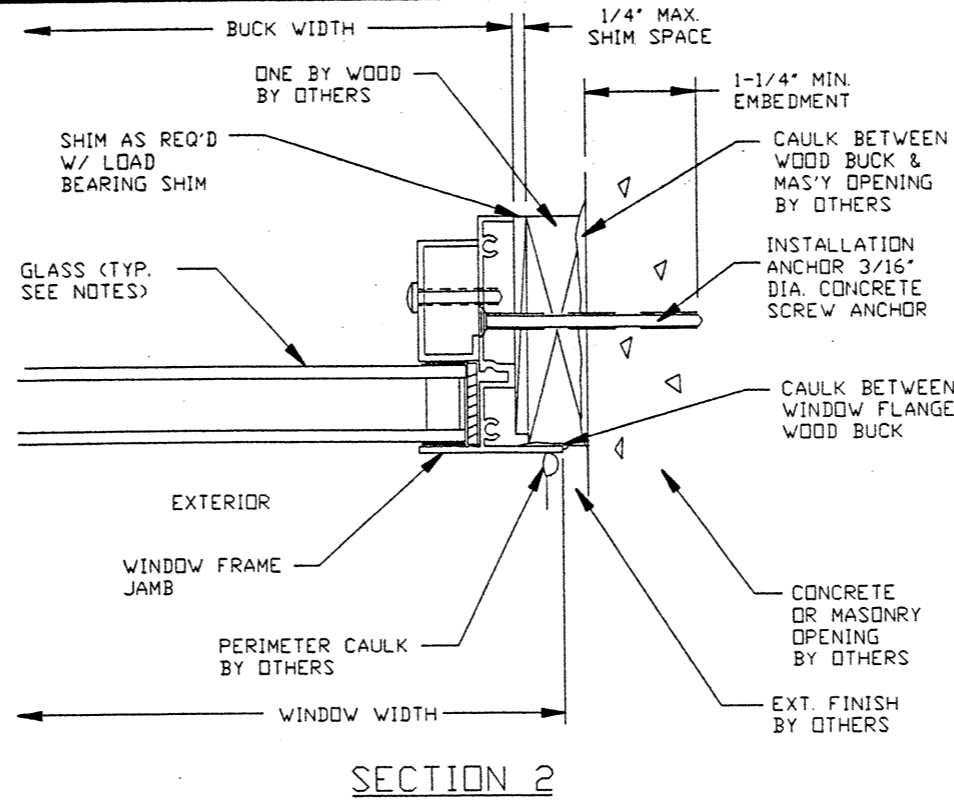
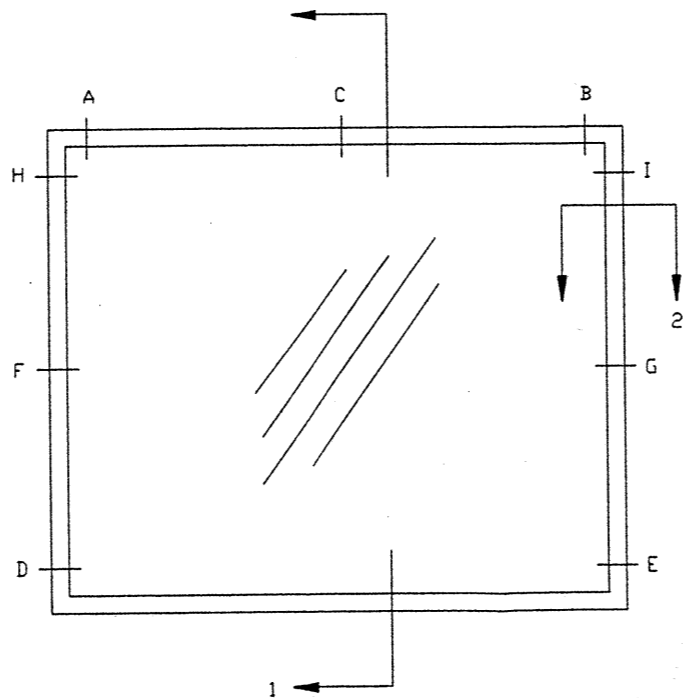


SECTION 1



SECTION 2



ELEVATION VIEWED FROM EXTERIOR

ANCHOR LOCATION CHART								
CALL SIZE	BUCK SIZE	LOCATION IN HEAD			LOCATION IN JAMBS			
		UP TO 40 PSF	41 PSF TO 60 PSF	61 PSF TO 70 PSF	UP TO 40 PSF	41 PSF TO 60 PSF	61 PSF TO 70 PSF	
0707	6 x 6	NONE	NONE	NONE	F,G	F,G	F,G	
0711	6 x 12	NONE	NONE	NONE	F,G	F,G	F,G	
0721	6 x 24	NONE	NONE	NONE	F,G	F,G	F,G	
0731	6 x 36	NONE	NONE	NONE	F,G	F,G	F,G	
0741	6 x 48	NONE	NONE	NONE	F,G	F,G	F,G	
0751	6 x 60	NONE	NONE	NONE	F,G	F,G	F,G	
1107	12 x 6	NONE	NONE	NONE	F,G	F,G	F,G	
1111	12 x 12	NONE	NONE	NONE	F,G	F,G	F,G	
1121	12 x 24	NONE	NONE	NONE	F,G	F,G	F,G	
1131	12 x 36	NONE	NONE	NONE	F,G	F,G	F,G	
1141	12 x 48	NONE	NONE	NONE	F,G	F,G	F,G	
1151	12 x 60	NONE	NONE	NONE	F,G	F,G	F,G	
2107	24 x 6	C	C	C	F,G	F,G	F,G	
2111	24 x 12	C	C	C	F,G	F,G	F,G	
2121	24 x 24	C	C	C	F,G	F,G	F,G	
2131	24 x 36	C	C	C	F,G	F,G	F,G	
2141	24 x 48	C	C	C	F,G	F,G	F,G	
2151	24 x 60	C	C	C	F,G	D,E,H,I	D,E,H,I	
3107	36 x 6	C	C	C	F,G	F,G	F,G	
3111	36 x 12	C	C	C	F,G	F,G	F,G	
3121	36 x 24	C	C	C	F,G	F,G	F,G	
3131	36 x 36	C	C	C	F,G	F,G	F,G	
3141	36 x 48	C	C	C	F,G	D,E,H,I	D,E,H,I	
3151	36 x 60	C	C	C	F,G	D,E,H,I	D,E,H,I	
4107	48 x 6	C	C	C	F,G	F,G	F,G	
4111	48 x 12	C	C	C	F,G	F,G	F,G	
4121	48 x 24	C	C	C	F,G	F,G	F,G	
4131	48 x 36	C	C	A,B	F,G	F,G	F,G	
4141	48 x 48	C	C	A,B	F,G	D,E,H,I	D,E,H,I	
4151	48 x 60	C	C	A,B	D,E,H,I	D,E,H,I	D,E,H,I	
5107	60 x 6	C	C	C	D,E	D,E	D,E	
5111	60 x 12	C	C	C	D,E	D,E	D,E	
5121	60 x 24	C	C	A,B	D,E	D,E	D,E	
5131	60 x 36	C	A,B	A,B	D,E	D,E	D,E	
5141	60 x 48	C	A,B	A,B	D,E	D,E,H,I	D,E,H,I	
5151	60 x 60	C	A,B	A,B	D,E,H,I	D,E,F,G,H,I	D,E,F,G,H,I	
6107	72 x 6	C	C	C	D,E	D,E	D,E	
6111	72 x 12	C	C	C	D,E	D,E	D,E	
6121	72 x 24	C	A,B	A,B	D,E	D,E	D,E	
6131	72 x 36	A,B	A,B	A,B	D,E	D,E	D,E	
6141	72 x 48	A,B	A,B	A,B,C	D,E	D,E,H,I	D,E,H,I	
6151	72 x 60	A,B	A,B,C	A,B,C	D,E,H,I	D,E,F,G,H,I	D,E,F,G,H,I	

- NOTES:
- 1) SHIM AS REQ'D AT EACH INSTALLATION ANCHOR W/ LOAD BEARING SHIM. MAX. ALLOWABLE SHIM STACK TO BE 1/4". USE SHIMS WHERE SPACE GREATER THAN 1/16" IS PRESENT.
 - 2) WINDOW FRAME MATERIAL ALUMINUM ALLOY 6063.
 - 3) 3/16" DIA. CONCRETE SCREW ANCHOR MUST BE OF SUFFICIENT LTH. TO ACHIEVE MIN. EMBEDMENT OF 1-1/4" INTO MASONRY OR CONCRETE. (TYP. LTH. 2-3/4")
 - 4) CAULK BEHIND WINDOW FLANGE WITH DUO-SIL ADHESIVE CAULK SEALANT OR APPROVED EQUAL. APPLICATION OF DUO-SIL ADHESIVE CAULK SEALANT MUST COMPLY WITH SEALANT MANUFACTURER'S RECOMMENDATIONS.
 - 5) USE LATEX CAULK OR EQUIVALENT FOR PERIMETER SEAL AROUND EXTERIOR OF WINDOW FLANGE BY OTHERS.
 - 6) IF EXACT WINDOW SIZE IS NOT LISTED IN ANCHOR CHART, USE ANCHOR QUANTITY LISTED WITH NEXT LARGER SIZE, FOR THE APPROPRIATE DESIGN PRESSURE REQ'D.
 - 7) GLASS THICKNESS MAY VARY PER THE REQUIREMENTS OF ASTM E1300 GLASS CHARTS. INSULATING GLASS IS SHOWN, SINGLE GLAZING ALSO QUALIFIED.
 - 8) LETTER DESIGNATIONS ON THE ANCHOR LOCATION CHART INDICATE WHERE CONCRETE ANCHORS SCREWS ARE TO BE INSTALLED WHEN USING THE EXTERIOR ELEVATION AS A KEY.
 - 9) NOT ALL ANCHORS SHOWN ON ELEVATION ARE APPLIED BY FACTORY IN ALL SIZES. ALL FACTORY APPLIED HOLES NOT DESIGNATED FOR CONCRETE SCREW ANCHOR SHOULD BE FILLED WITH #8 SCREWS OF SUFFICIENT LTH. TO PROVIDE MIN. 5/8" EMBEDMENT INTO WOOD BUCK. FACTORY PUNCHED HOLES IN JAMBS ARE TO BE 6" FROM CORNERS & 24" O.C. MAX.
 - 10) KINCO LTD'S TW SERIES PICTURE WINDOW IS SHOWN. INSTALLATION DETAILS ALSO APPLY TO KINCO'S TB SERIES PICTURE WINDOWS AND KINCO'S MARK 40/50 PICTURE WINDOWS.

KINCO, LTD.
JACKSONVILLE, FLORIDA

TITLE: SERIES PICTURE WINDOW W/ONE BY BUCK INSTALLATION DRAWING

ENGINEER: MANUEL MARTINEZ	DRN: BB	DATE: 12/20/01
DISCIPLINE: CIVIL	SCALE: N.T.S.	DWG. NO: KJAX0083
FL. REG. NO: 47182	REV. LETTER:	SHEET: 1 OF 1