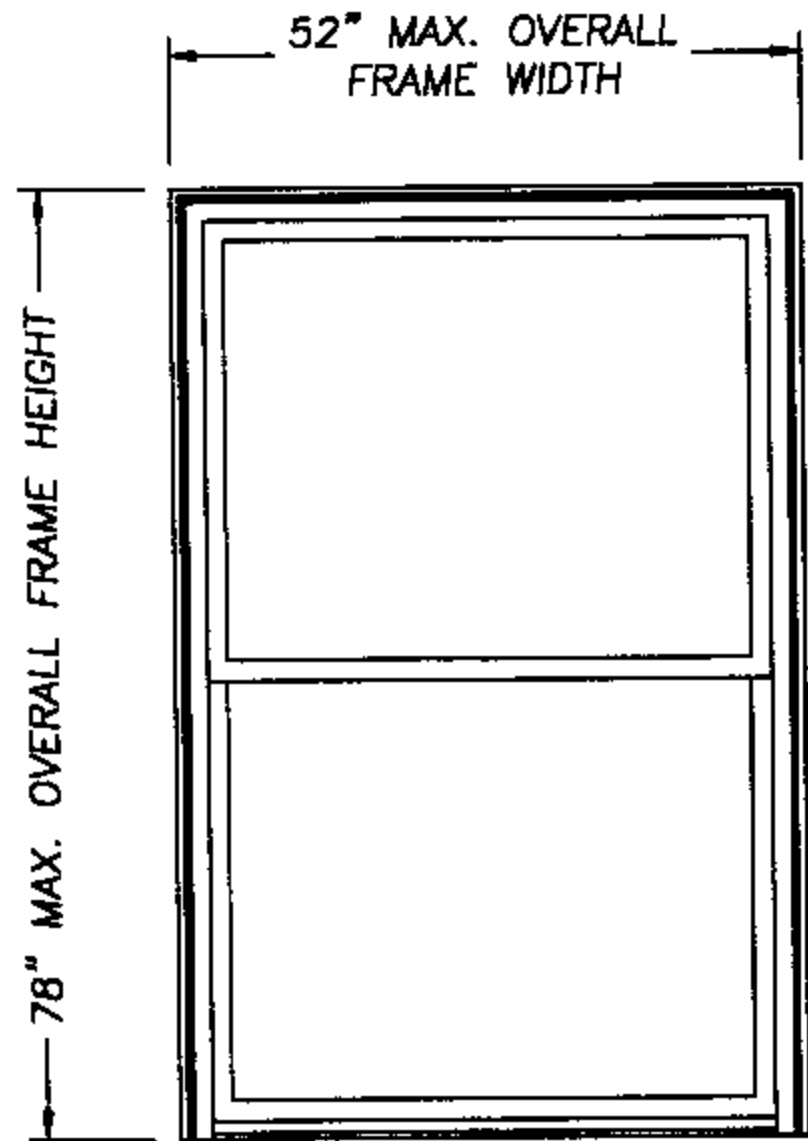


GREAT LAKES WINDOW

UNIFRAME SERIES
EXTRUDED VINYL DOUBLE HUNG WINDOWS



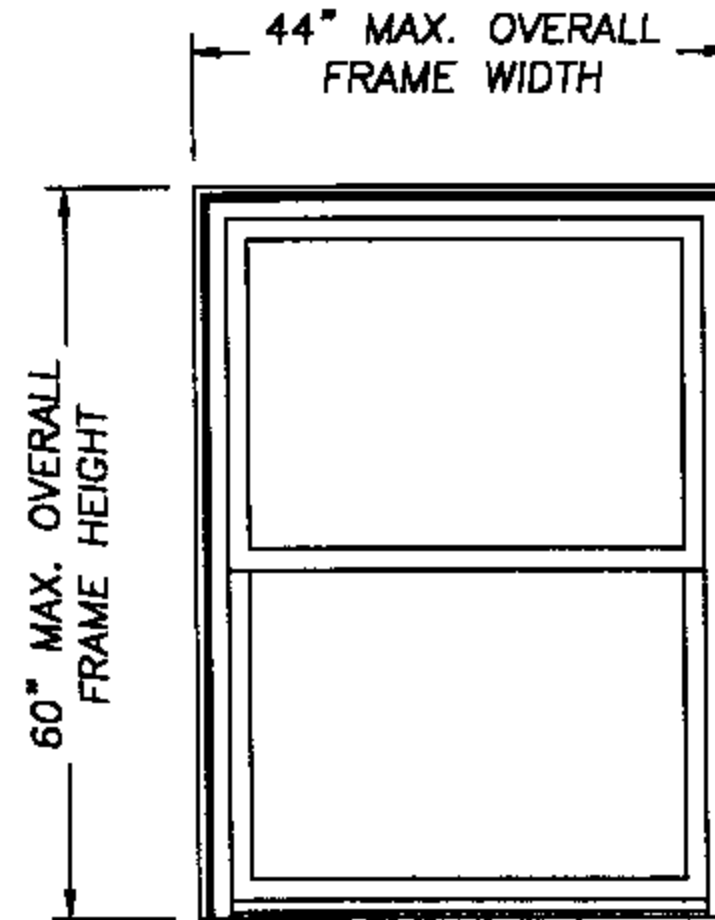
X
X

| | |
|------------------------|-----------|
| DESIGN PRESSURE RATING | |
| POS. 30.0 | NEG. 30.0 |
| *POS. 40.0 | NEG. 40.0 |

| |
|-----------------------------|
| GLASS TABLE |
| 7/8" INSULATED GLASS |
| 1/8" ANN. - AIR - 1/8" ANN. |

GENERAL NOTES

1. THIS PRODUCT IS DESIGNED TO COMPLY WITH THE FLORIDA BUILDING CODE.
2. PRODUCT ANCHORS SHALL BE AS LISTED AND SPACED AS SHOWN ON DETAILS.
3. WHEN THIS PRODUCT IS USED IN AN AREA REQUIRING WINDBORNE DEBRIS PROTECTION, FLORIDA BUILDING CODE APPROVED IMPACT RESISTANT SHUTTERS ARE REQUIRED.
4. MASONRY ANCHORING FOR 1x BUCK SEE SHEET 2 OF 3.
5. MASONRY ANCHORING FOR 2x BUCK SEE SHEET 3 OF 3.



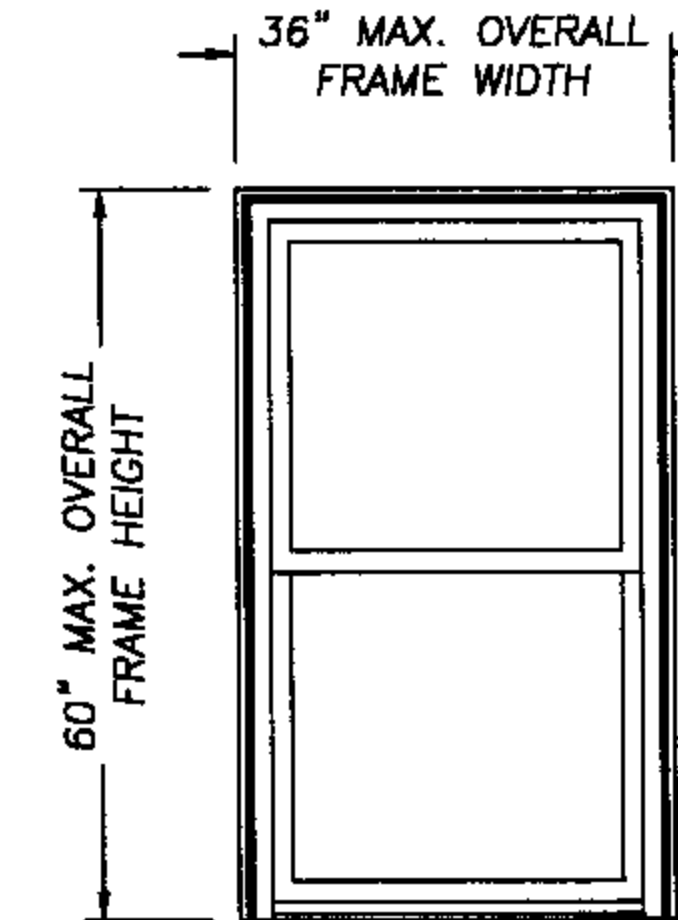
X
X

| | |
|------------------------|-----------|
| DESIGN PRESSURE RATING | |
| POS. 60.0 | NEG. 60.0 |

| |
|-------------------------------|
| GLASS TABLE |
| 7/8" INSULATED GLASS |
| 3/32" ANN. - AIR - 3/32" ANN. |

PRODUCT DESCRIPTION

1. VINYL DOUBLE HUNG WINDOW WITH MITERED AND WELDED CORNERS.
2. THE HEAD AND SIDE JAMBS ARE EXTRUDED VINYL WITH AN EXTERIOR WALL THICKNESS OF 0.070" +/- 0.008".
3. FIBERGLASS PULLTRUSION REINFORCEMENT UTILIZED INSIDE ALL MEETING RAILS.
- *4. ADDITIONAL FIBERGLASS PULLTRUSION REINFORCEMENT WERE USED IN ALL STILES.



X
X

| | |
|-----------------------------------|-----------|
| DESIGN PRESSURE RATING | |
| POS. 70.0 | NEG. 70.0 |
| (ACHIEVED BY COMPARISON ANALYSIS) | |

| |
|-------------------------------|
| GLASS TABLE |
| 7/8" INSULATED GLASS |
| 3/32" ANN. - AIR - 3/32" ANN. |

Great Lakes Window
3049 Tracy Road
PO Box 1896
Toledo, Ohio 43603-1896
PH. 419.662.3505

PRODUCT: GREAT LAKES
EXTRUDED VINYL
DOUBLE HUNG WINDOW
PART OR ASSEMBLY:
GENERAL NOTES &
TYPICAL ELEVATIONS

| NO. | DATE | REVISIONS | BY |
|-----|------|-----------|----|
| | | | |
| | | | |
| | | | |
| | | | |

RW BUILDING
CONSULTANTS, INC.
813.659.9197

DATE: 6/14/02

SCALE: N.T.S.

DWG. BY: WLN

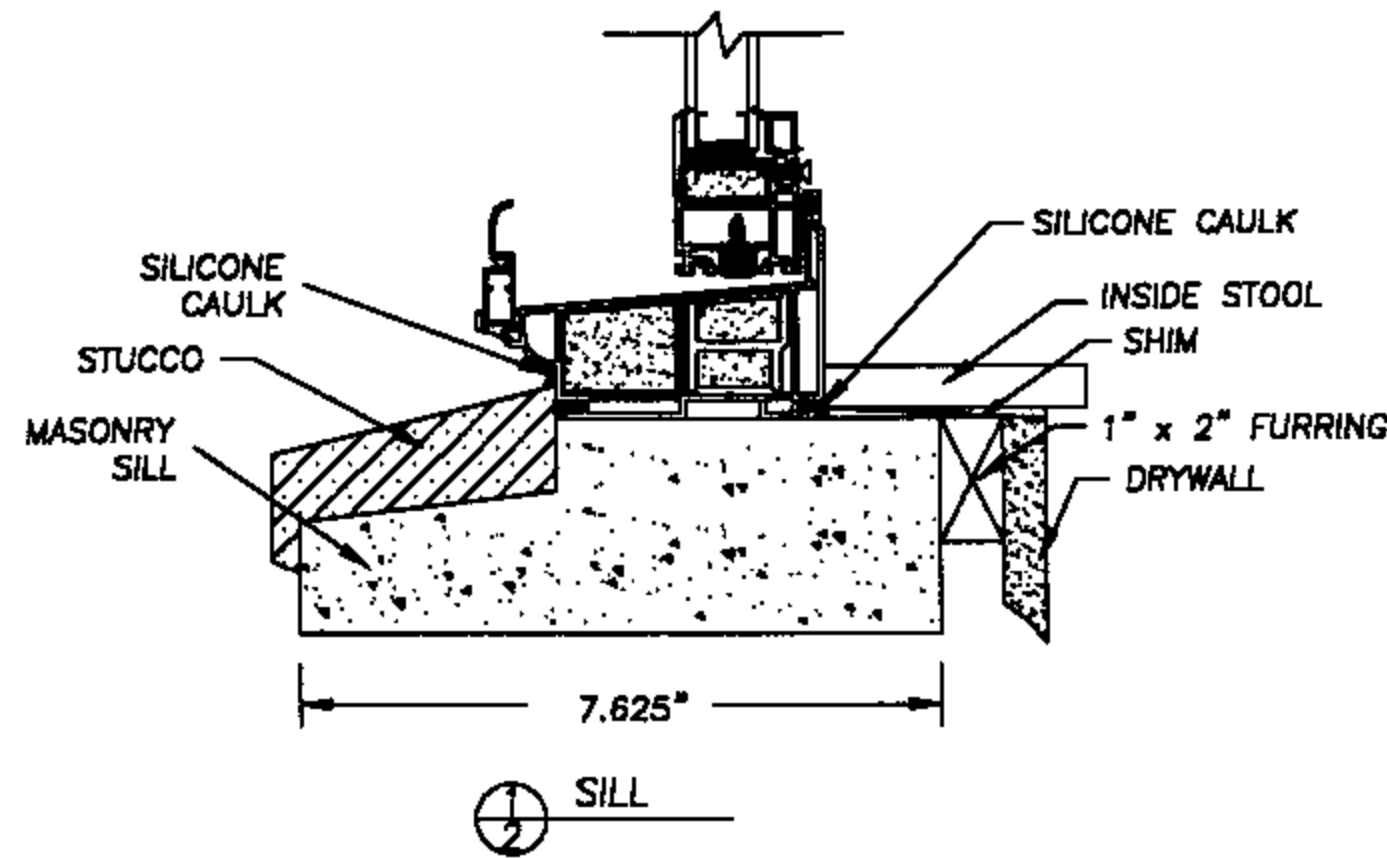
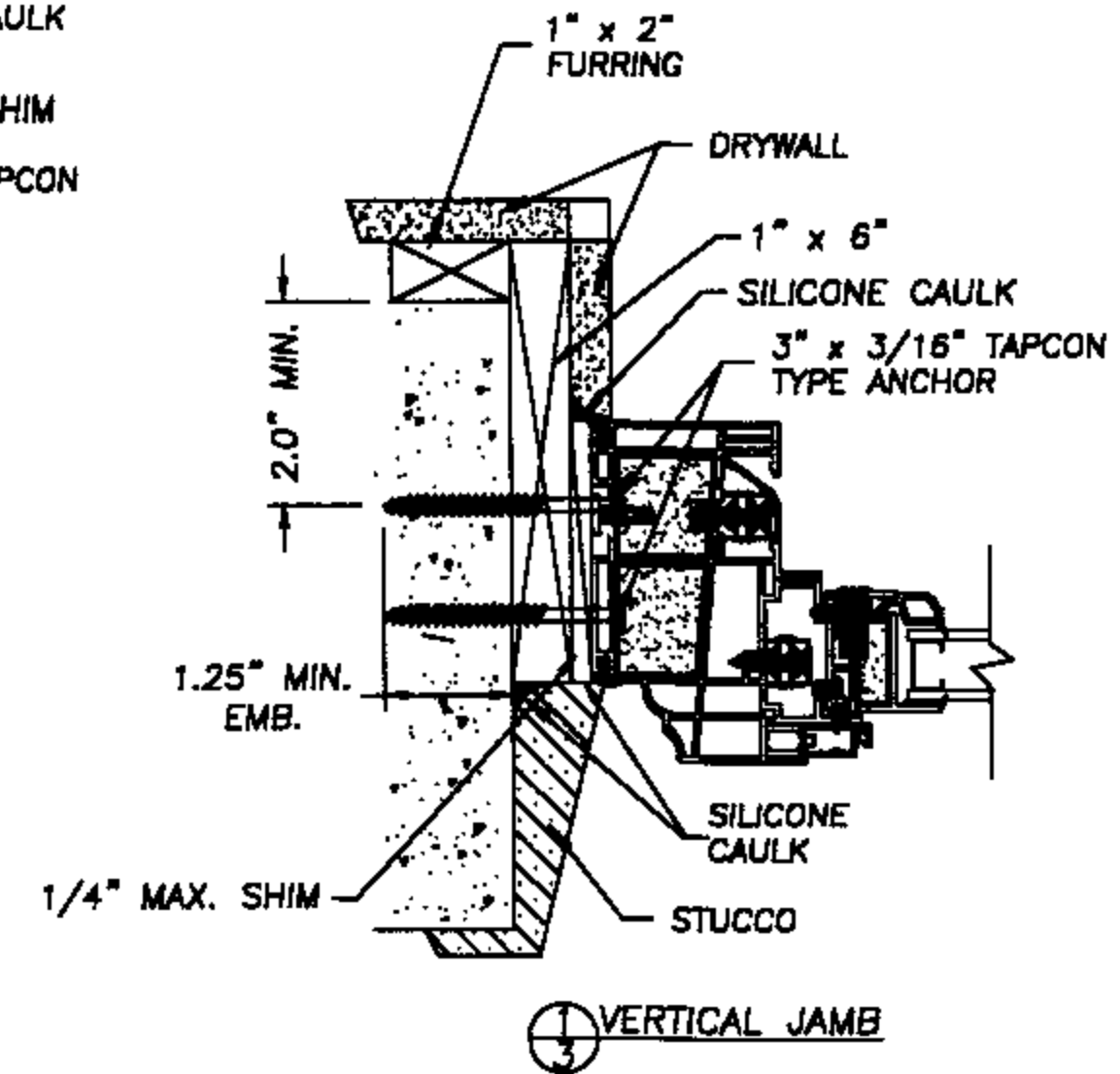
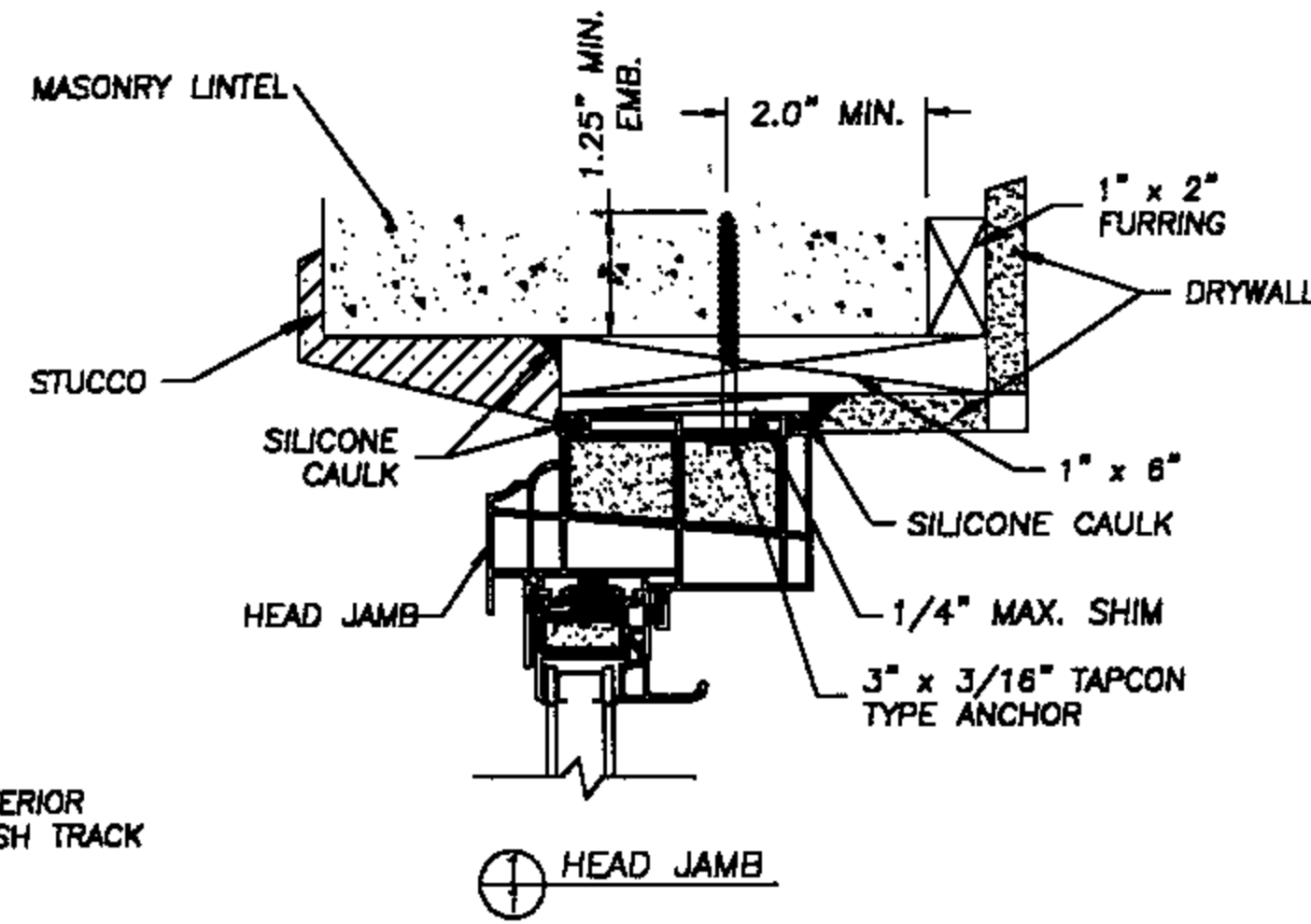
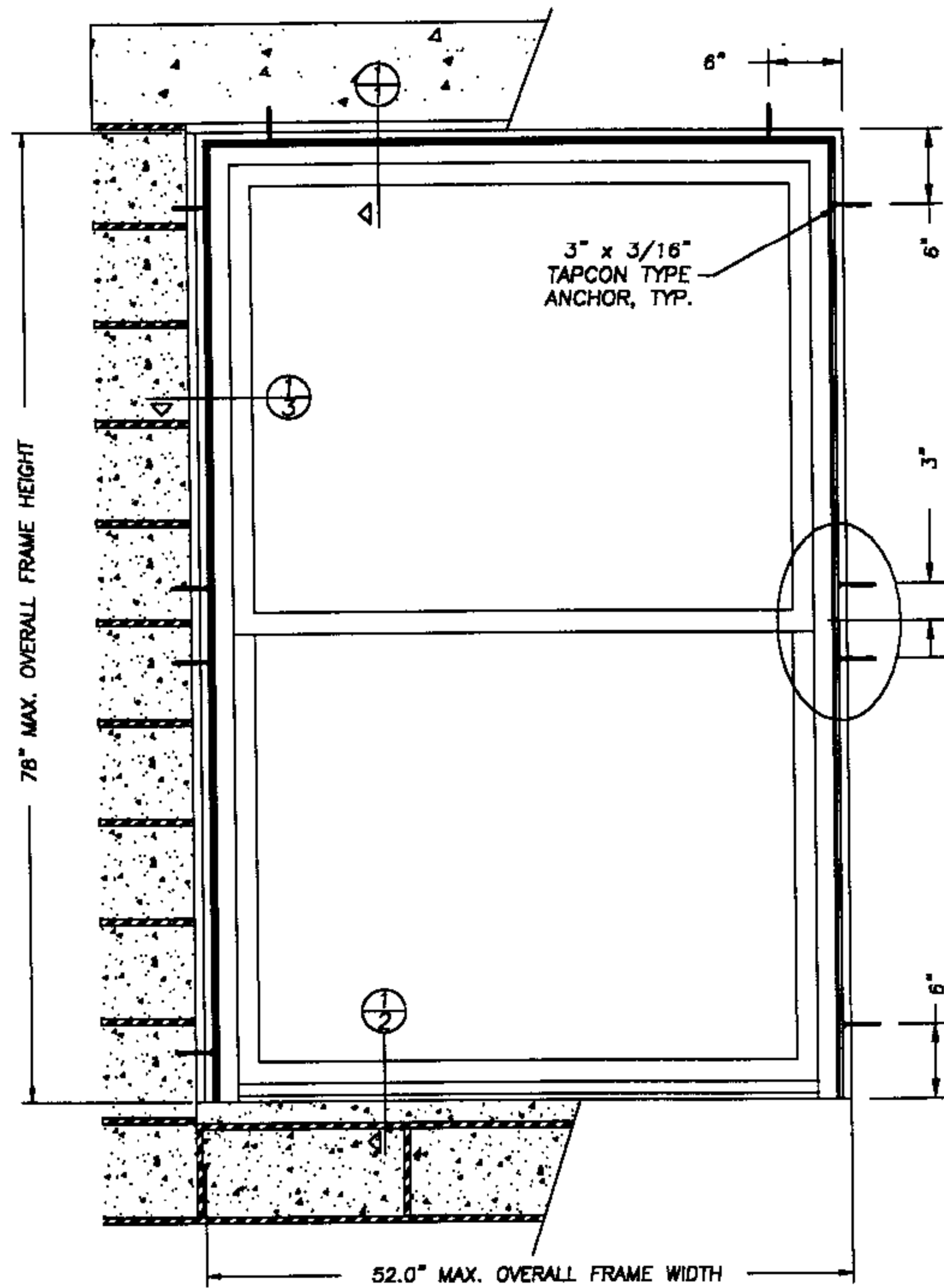
CHK. BY: RW

DRAWING NO.:
GL-102-OC

SHEET 1 OF 3

JULY 15, 2002

Lyndon F. Schmidt
Florida P. E. No. 43409
19506 French Lace Drive Lutz, FL 33558



NOTE:

Adjust Tapcon anchor locations, if necessary, to maintain a minimum 2.0" clearance from mortar joints.

JULY 15, 2002

Lyndon F. Schmidt
Florida P. E. No. 43409
19506 French Lace Drive
Lutz, FL 33558

Great Lakes Window
3049 Tracy Road
PO Box 1896
Toledo, Ohio 43603-1896
PH. 419.662.3505

ANCHORING CROSS SECTIONS
FOR 1X BUCK TO MASONRY
DOUBLE HUNG
VINYL WINDOW

RW BUILDING
CONSULTANTS, INC.
813.659.9197

DATE: 6/14/02

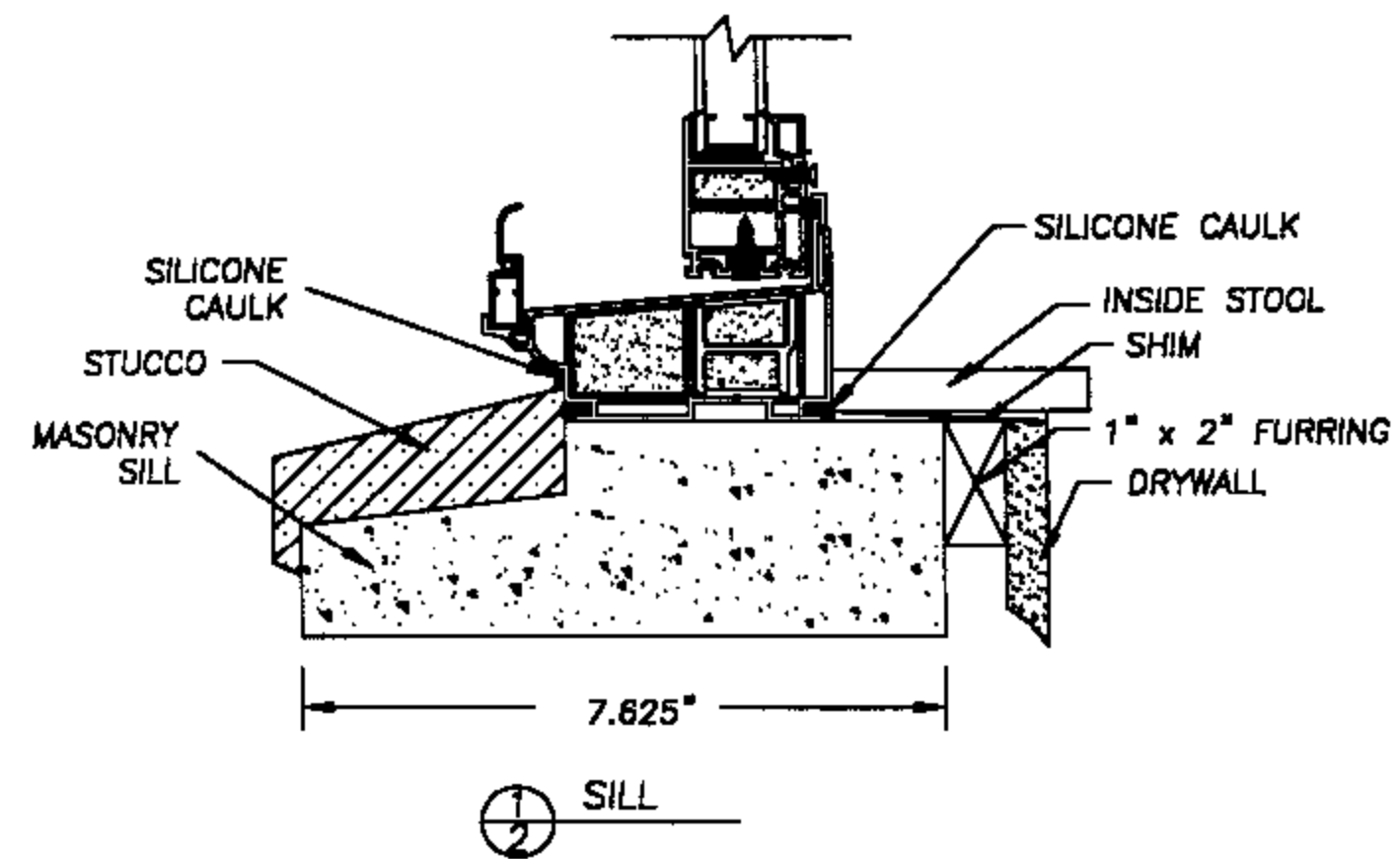
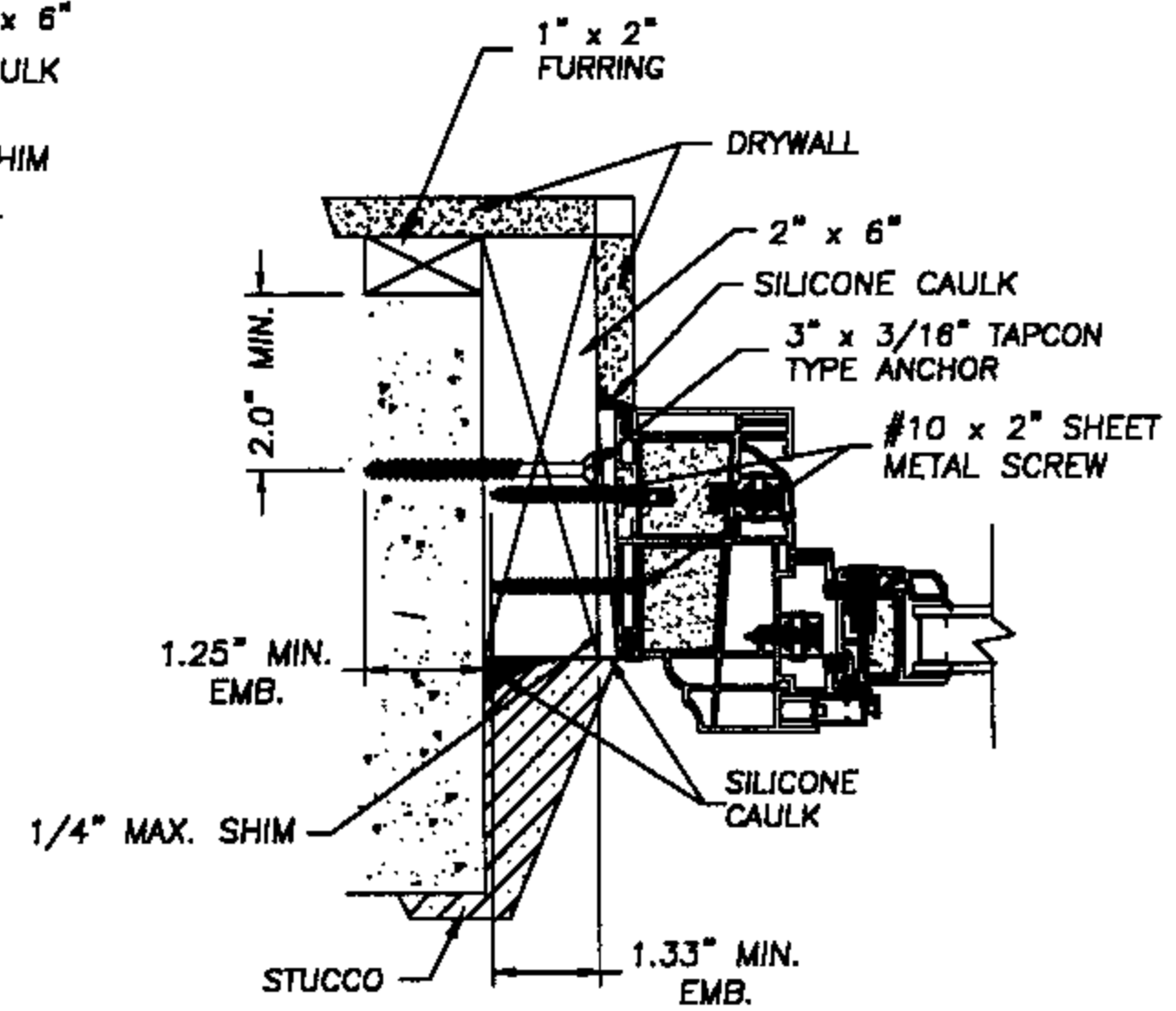
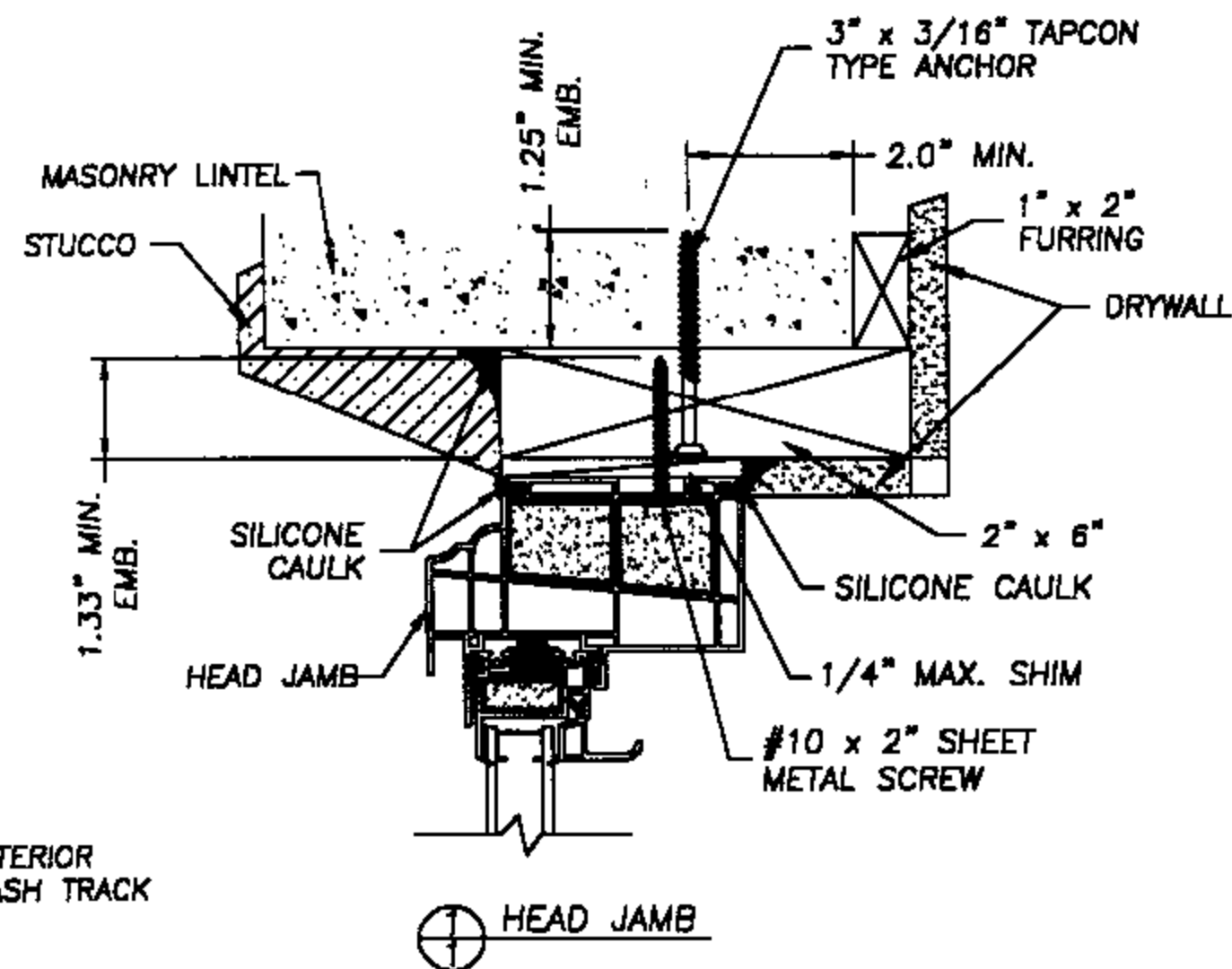
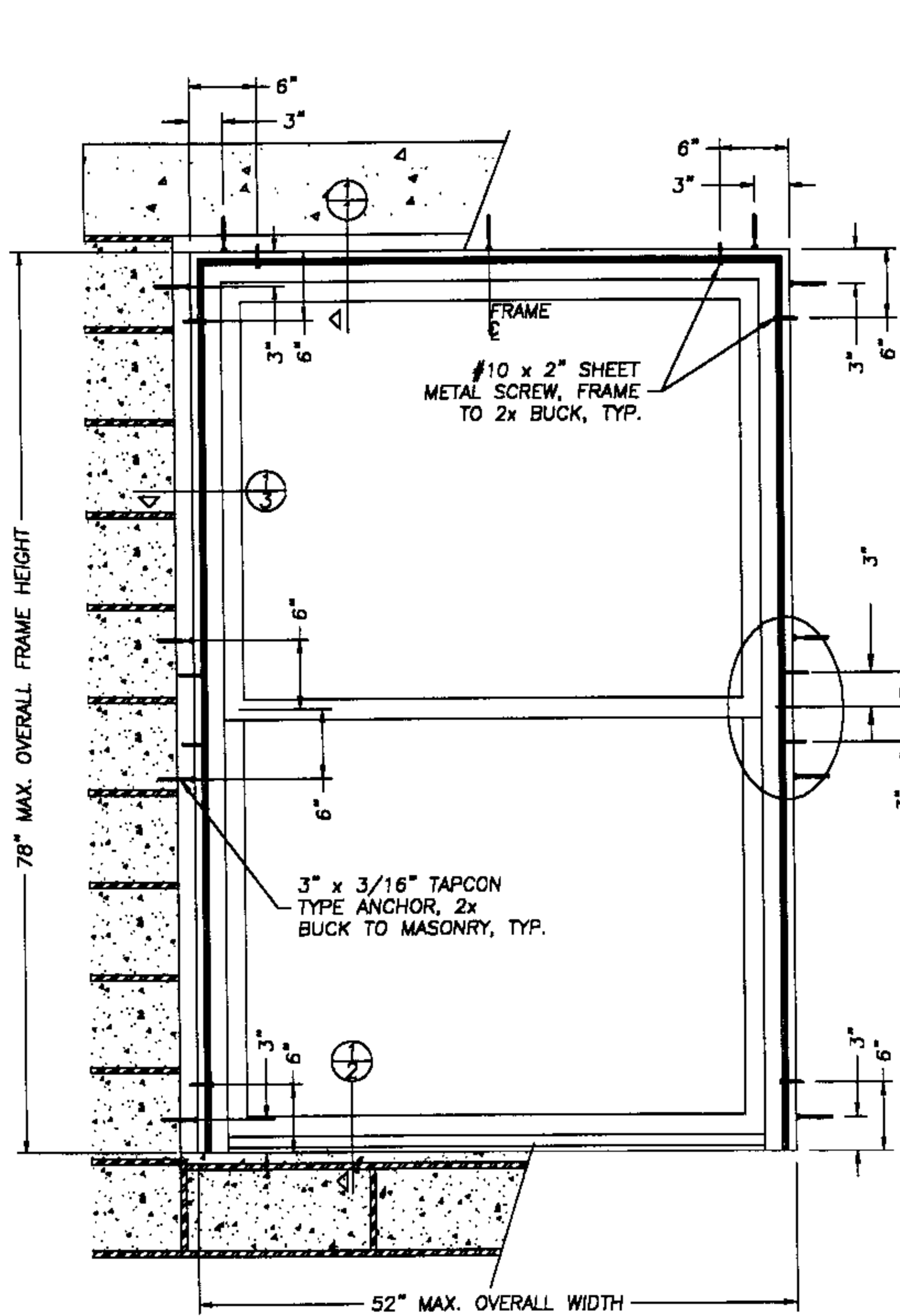
SCALE: N.T.S.

DWG. BY: WLN

CHK. BY: R.W.

DRAWING NO.:
GL-102-OC

SHEET 2 OF 3



NOTE:

Adjust Tapcon anchor locations, if necessary, to maintain a minimum 2.0" clearance from mortar joints.

JULY 15, 2002
 Lyndon F. Schmidt
 Florida P. E. No. 43409
 19506 French Lace Drive
 Lutz, FL 33558

Great Lakes Window
 3049 Tracy Road
 PO Box 1896
 Toledo, Ohio 43603-1896
 PH. 419.662.3505

ANCHORING CROSS SECTIONS
 FOR 2X BUCK TO MASONRY
 DOUBLE HUNG
 VINYL WINDOW

RW BUILDING
 CONSULTANTS, INC.
 813.659.9197

DATE: 6/14/02

SCALE: N.T.S.

DWG. BY: WLN

CHK. BY: R.W.

DRAWING NO.:

GL-102-OC

SHEET 3 OF 3