

3/16" TAPCON WITH A
MIN. 1-1/4" MIN. EMBEDMENT
SEE ELEVATION FOR
ANCHOR SPACING.

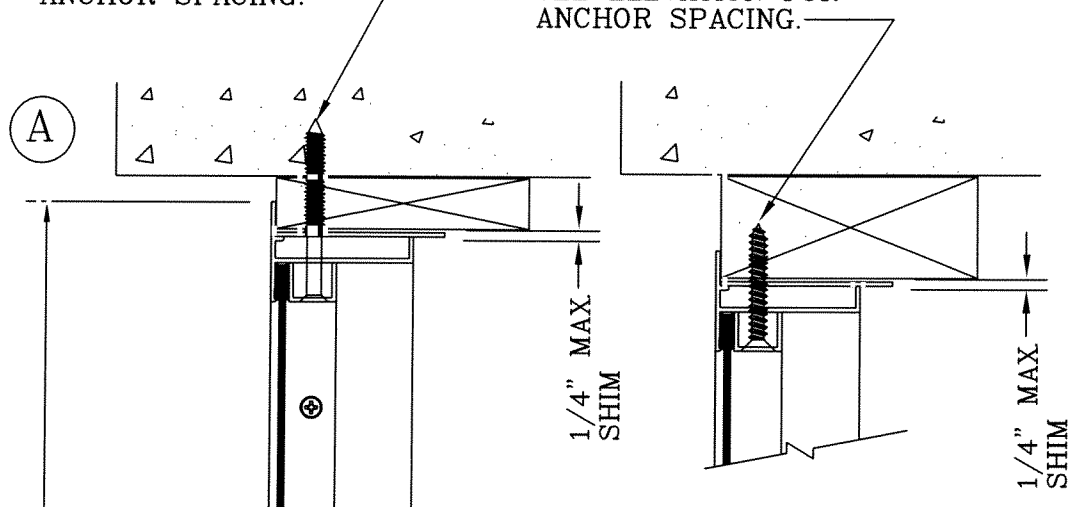
10 F.H. S.M.S.
W/1-1/2" MIN. EMBEDMENT
SEE ELEVATION FOR
ANCHOR SPACING.

NOTES:

- 1) SHIM AS REQUIRED, MAX SHIM STACK 1/4".
- 2) ALL ALUMINUM EXTRUSIONS ARE ALLOY 6063-T5 OR T6 WITH TYPICAL WALL THICKNESS OF 0.62".
- 3) USE HIGH QUALITY CAULK BEHIND WINDOW FLANGE.
- 4) GLASS THICKNESS BASED ON TABLE E1300 GLASS CHARTS, AND MAY VARY DEPENDING ON SIZE.
- 5) THE RESPONSIBILITY FOR SELECTION OF NORANDEX PRODUCTS TO MEET ANY APPLICABLE LOCAL LAWS, BUILDING CODES, ORDINANCES OR OTHER SAFETY REQUIREMENTS REST SOLELY WITH THE ARCHITECT, BUILDING OWNER OR CONTRACTOR.
- 6) A PRESSURE TREATED WOODEN BUCK OR MARBLE SILL SHALL BE ADDED UNDER THE PRODUCT TO FULLY SUPPORT UNIT. THIS SUPPORT SHALL BE FIRMLY ATTACHED INTO MASONARY AND SUPPORT THE PRODUCT OVER ITS FULL LENGTH (SUPPLIED BY OTHERS).
- 7) CONCRETE COMPRESSIVE STRENGTH = 3,000 PSI AT 28 DAYS.
- 8) NOTE * INDICATES THAT EQUAL FASTENERS AT HEAD AND SILL ARE REQUIRED.

WINDOW DIMENSIONS		FASTENER SCHEDULE			
WIDTH (INCHES)	HEIGHT (INCHES)	NO. ANCHORS HEAD/SILL SEE NOTE 8		NO. ANCHORS JAMB	
		35 (PSF)	45-60 (PSF)	35 (PSF)	45-60 (PSF)
19-1/8"	26"	2	2*	2	2
26-1/2"		2	2*	2	2
37"		2	3*	2	2
53-1/8"	38-1/4"	3	3*	2	2
19-1/8"		2	2*	2	3
26-1/2"		2	2*	2	3
37"	50-5/8"	2	3*	2	3
53-1/8"		3	4*	2	3
19-1/8"		2	2*	3	3
26-1/2"	63"	2	2*	3	3
37"		2	3*	3	3
53-1/8"		3	4*	3	3
19-1/8"	76-3/4"	2	2*	3	4
26-1/2"		2	2*	3	4
37"		2	3*	3	4
53-1/8"		3	4*	3	4

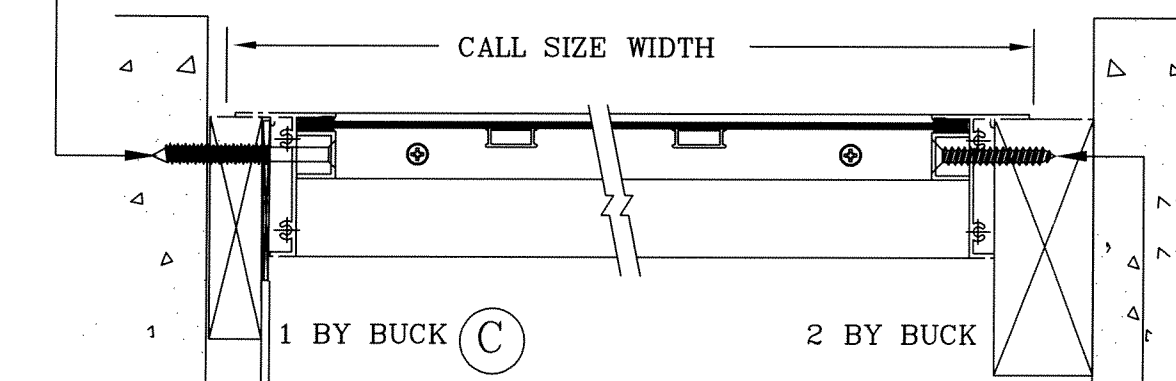
(A)



ALT. HEADER SECTION
TYP. 2 BY BUCK

3/16" TAPCON
W/1-1/4" MIN. EMBEDMENT
(SEE ELEVATION FOR ANCHOR SPACING)

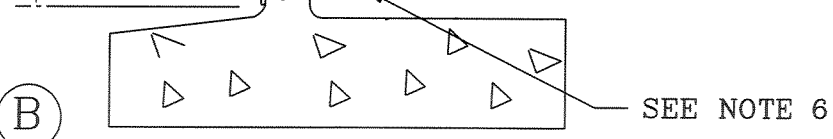
CALL SIZE HEIGHT
(C.S.H.)



TYP. JAMB SECTION
1 BY / 2 BY BUCK

1/4" SHIM
MAX. (BOTH JAMBS)

(B)

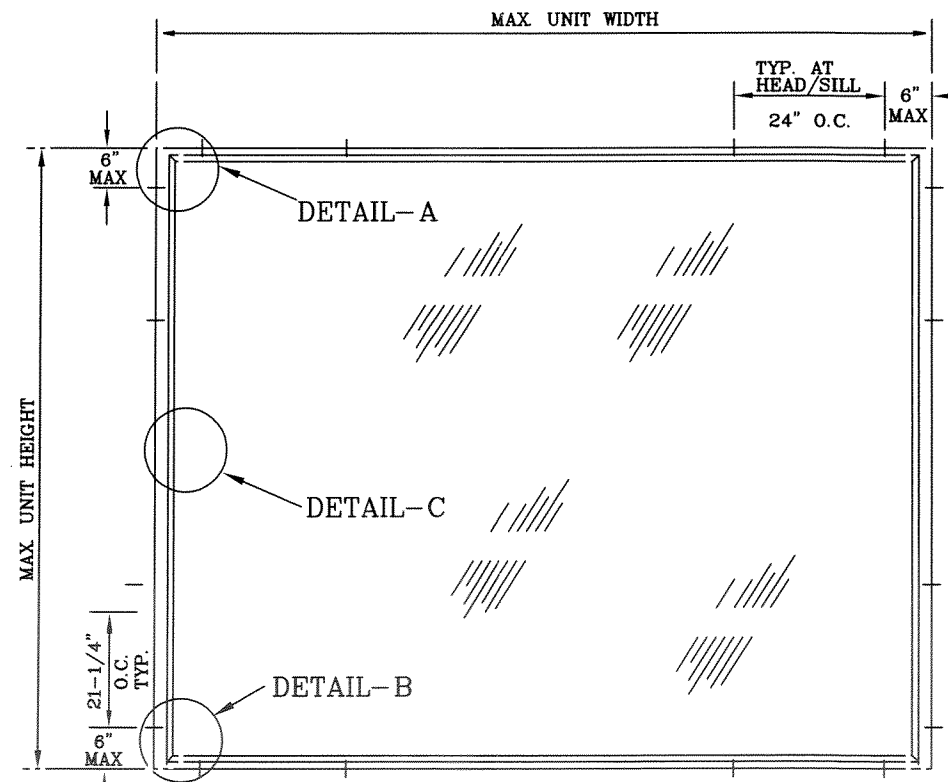


HEADER AND SILL SECTION
TYP. 1 BY BUCK

10 F.H. S.M.S.
W/1-1/2" MIN. EMBEDMENT
SEE ELEVATION FOR
ANCHOR SPACING.

CHARLES A. PAGEN, P.E.
FL. REG. ENG. # 49121
DATE: 12/11/01

CPagen



SERIES: 437
 ALUMINUM FIXED WINDOW
NORANDEX
 4505 30th STREET WEST
 BRADENTON, FL. 34207
 PHONE: (941) 755-1591

NO.	DATE	REVISIONS DESCRIPTION

DATE: 12/22/01
SCALE: N.T.S.
DWG. BY: J.R.M.
CHK. BY: RLK
DWG. NO.: FBC-021