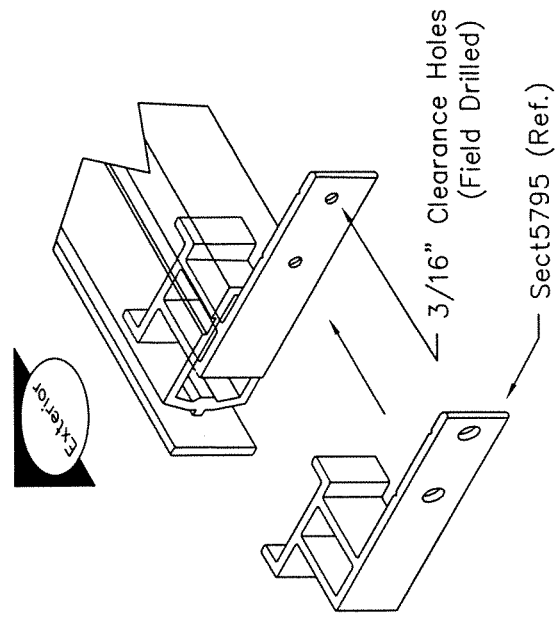
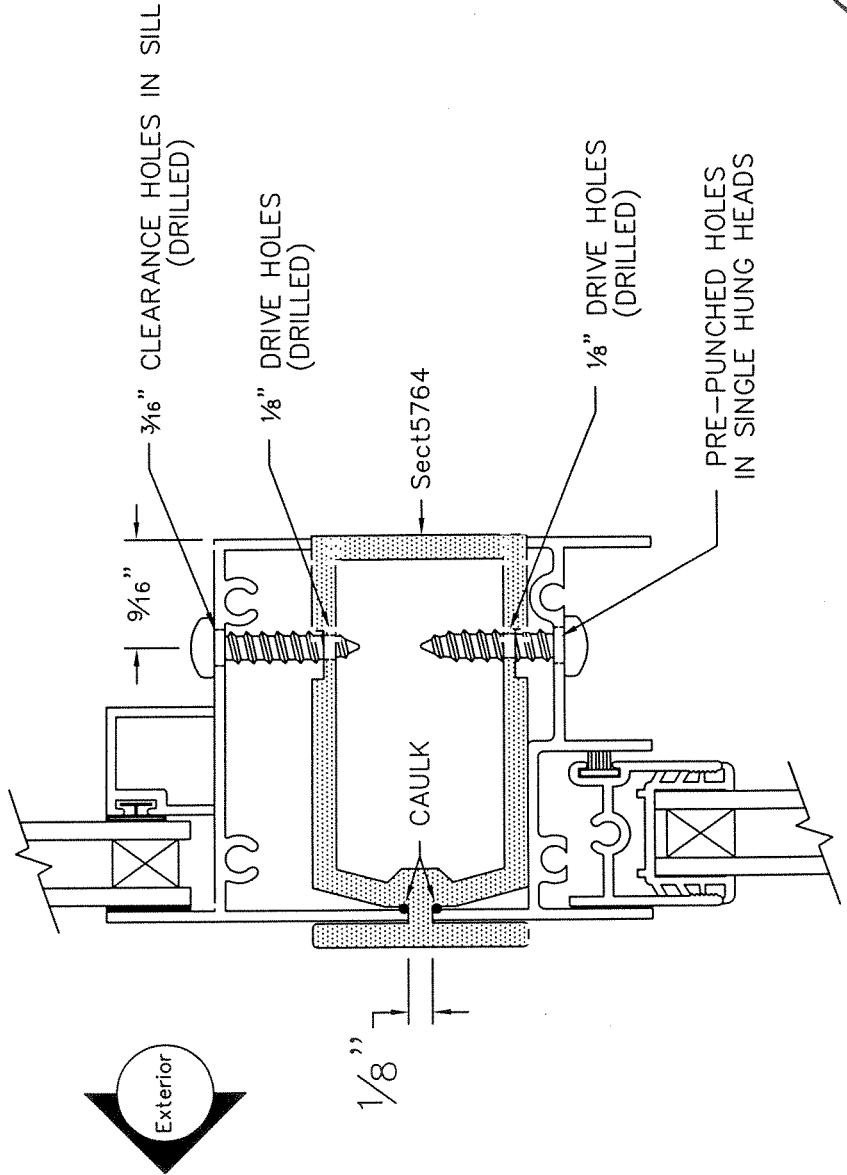


Series V83 HORIZONTAL MULLION for SINGLE UNITS - Florida Flange

165 & 740/744

NOTE: LENGTHS FOR STANDARD WIDTH UNITS ARE 19 1/8", 26 1/2", 37", AND 53 1/8".

- Step 1.** Position horizontal mull on top of lower unit as shown below. With 1/8" drill, drill up through pre-punched holes in the single hung heads into the mull. Before attaching with #8 x 3/4" screws (not included), run a full length bead of caulk in area shown.
- Step 2.** Position top unit on top of mull and drill 1/8" holes, in position shown, on same centers as lower unit. With 3/16" drill, re-drill holes in sill only and fasten with screws.
- Step 3.** Before lifting into rough opening, Drill two holes in each clip #SECT5795 and insert into each end of mull as shown below with tab pointing to inside. Fasten each clip tab to construction with two #10 x 1 1/2" screws for structural integrity.



1/14/02 02-2702

MI HOME PRODUCTS**FLANGE****HORIZONTAL MULLION DESIGN LOAD CAPACITIES****FOR ALUMINUM V83 TUBE MULLION (SECTION NO. 5764)****WHEN USED FOR MULLING TRANSOM OVER A SINGLE WINDOW**

WDW. WTH. > WDW. HGT. V	24.000	30.000	36.000	37.000	42.000	48.000	53.125
36.000	1086.2	556.1	321.8	296.6	205.1	133.4	91.1
42.000	1086.2	556.1	321.8	296.4	202.7	129.8	87.9
48.000	1086.2	556.1	321.8	296.4	202.7	128.6	86.2
50.625	1086.2	556.1	321.8	296.4	202.7	128.6	85.8
60.000	1086.2	556.1	321.8	296.4	202.7	128.6	85.7
63.000	1086.2	556.1	321.8	296.4	202.7	128.6	85.7
72.000	1086.2	556.1	321.8	296.4	202.7	128.6	85.7

NOTES:

- * CHART APPLIES ONLY TO EXTRUDED ALUMINUM TUBE MULLION (SECTION NUMBER 5764) USED HORIZONTALLY OVER A SINGLE WINDOW.
- * CHART ASSUMES TRANSOM HEIGHT TO BE ONE HALF WINDOW WIDTH.
- * WINDOW HEIGHTS SHOWN ON "Y" AXIS OF CHART DESIGNATE HEIGHT OF WINDOWS BELOW TRANSOM AND DO NOT INCLUDE TRANSOM HEIGHT.
- * READ WINDOW WIDTH AND WINDOW HEIGHT IN INCHES.
- * DESIGN PRESSURE VALUES ON THIS CHART ARE IN PSF.
- * MULLION MUST BE ANCHORED TO SUBSTRATE WITH TWO 3/16 IN. DIA. TAPCON TYPE CONCRETE SCREW ANCHORS OF SUFFICIENT LENGTH TO ACHIEVE 1-1/4 IN. MIN. EMBEDMENT INTO MASONRY OR CONCRETE.

PREPARED BY:

PRODUCT & APPLICATION ENGINEERING, INC.

250 INTERNATIONAL PARKWAY

SUITE 250

HEATHROW, FLORIDA 32746

PHONE 407 805-0365 / FAX 407 805-0366

CA020088

30-Jan-2002

02-0125

02-1302