

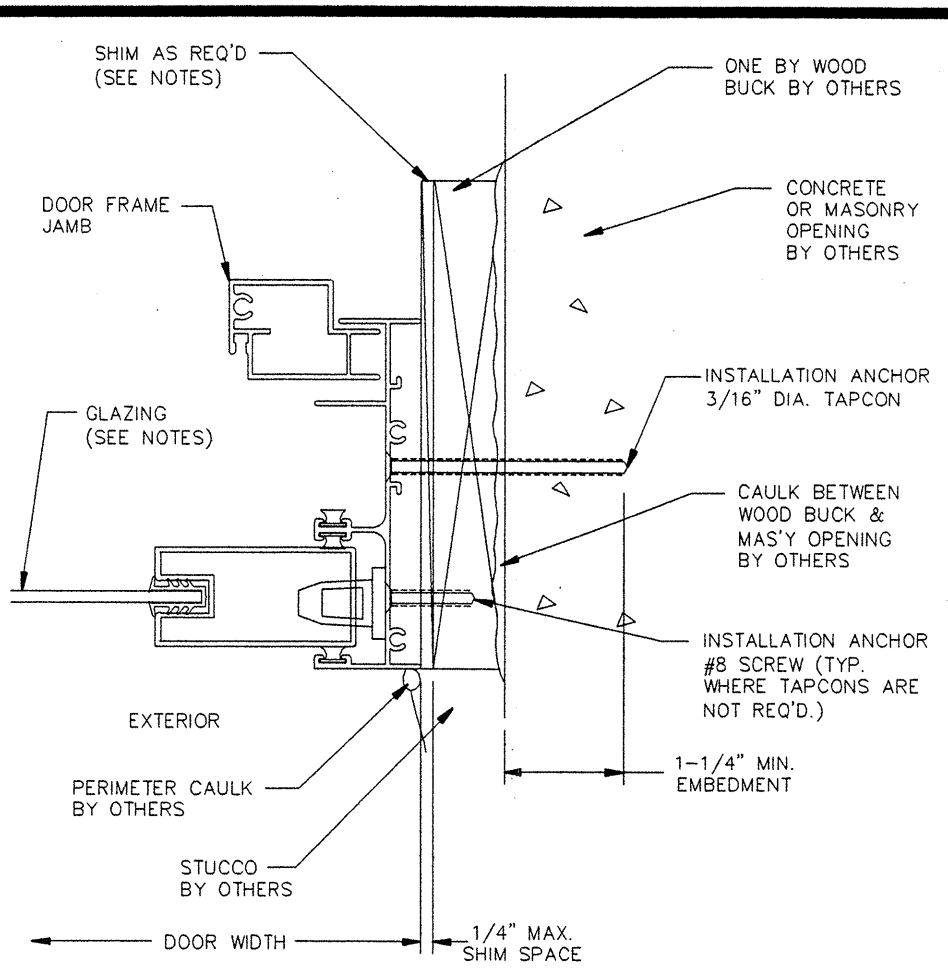
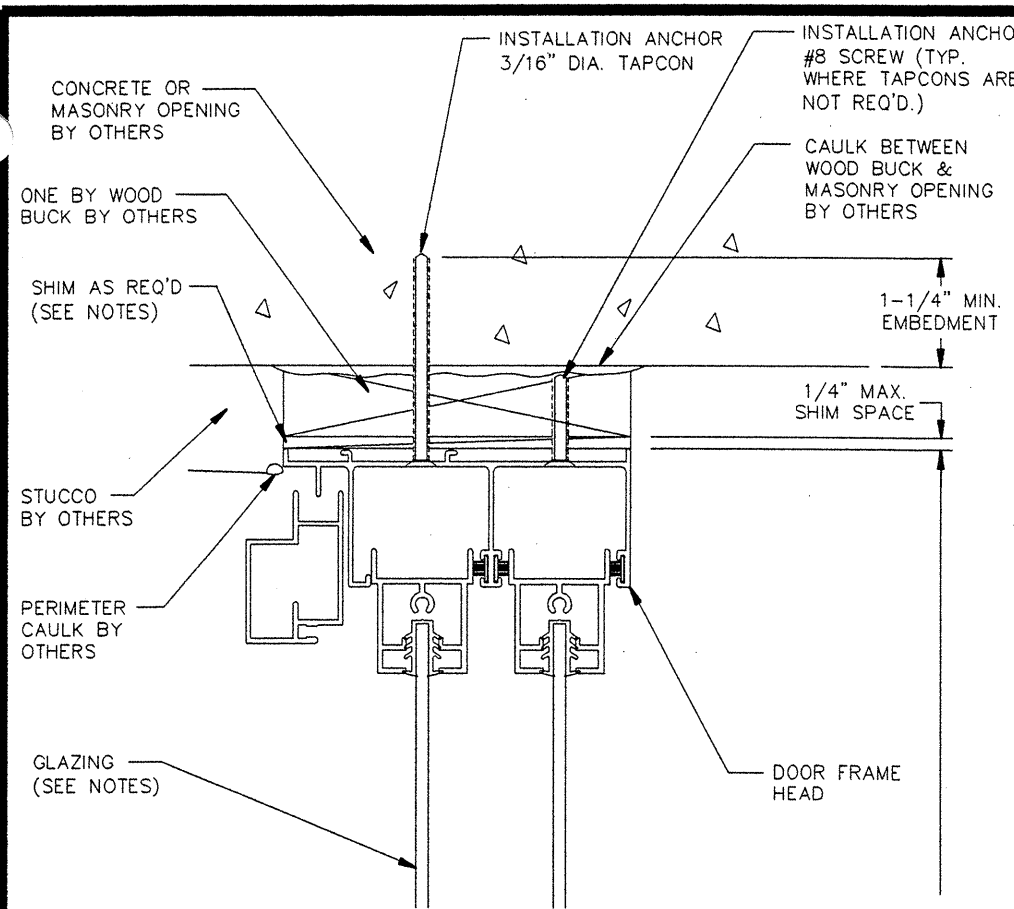


MI Home Products, Inc.
650 West Market St.
P.O. Box 370
Gratz, PA 17030-0370

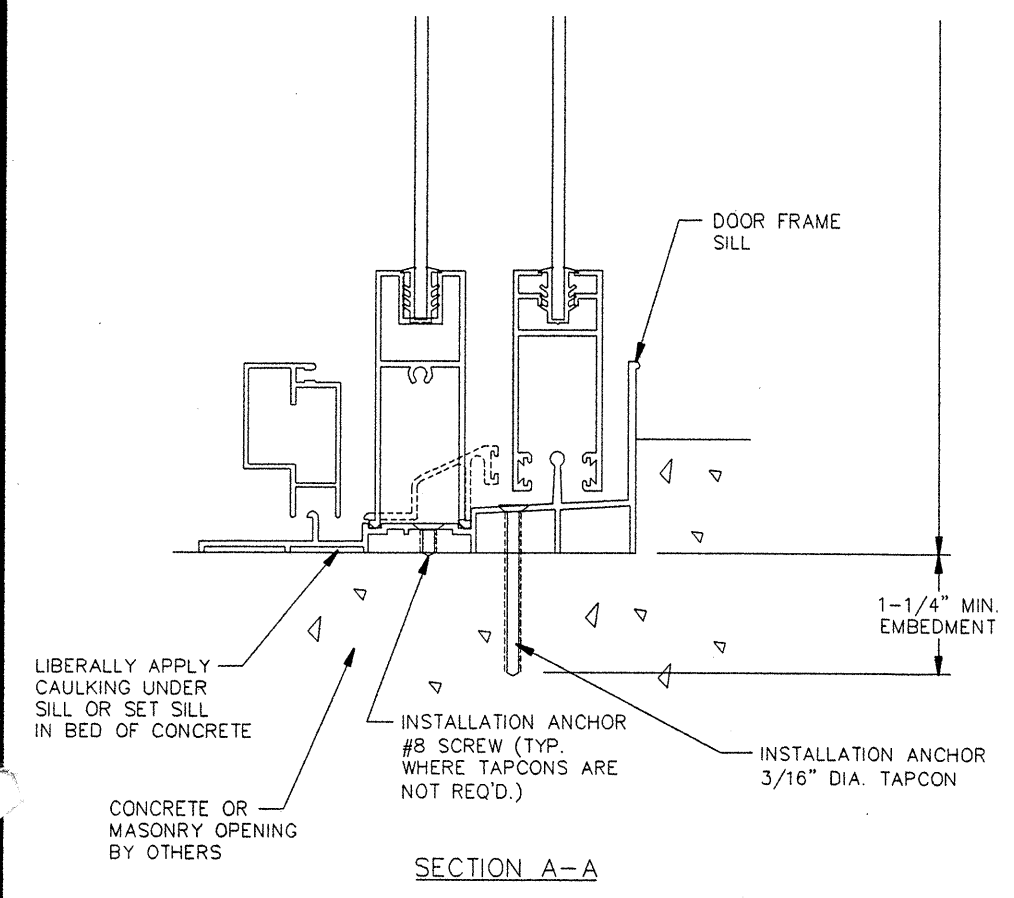
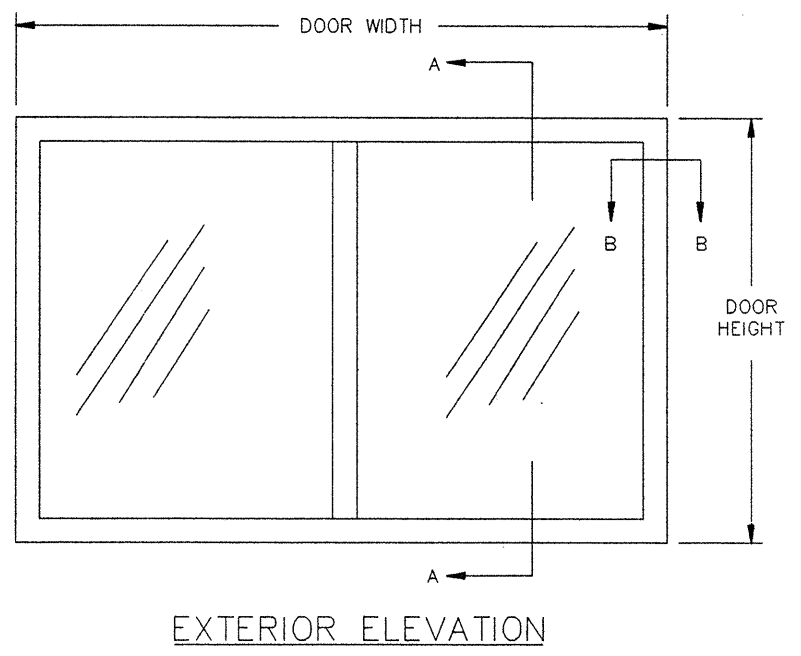
(717) 365-3300
(717) 362-7025 Fax

470 HP SLIDING GLASS DOOR

- Test Reports #CTLA-744W-B
- Comparative Analysis
- Installation Instructions/Fastener Schedule
- Sample Label



CALL SIZE	DOOR SIZE	LOCATION IN HEAD & SILL			EA. JAMB
		UP TO 45 PSF DP	46 PSF TO 60 PSF DP	61 PSF TO 70 PSF DP	
5068 XO, OX, XX	60 X 80	3	3	3	4
6068 XO, OX, XX	72 X 80	4	4	4	4
8068 XO, OX, XX	96 X 80	5	5	5	4
10068 XO, OX, XX	120 X 80	6	6	7	4
5080 XO, OX, XX	60 X 96	3	3	3	5
6080 XO, OX, XX	72 X 96	3	3	3	5
8080 XO, OX, XX	96 X 96	4	4	5	5
10080 XO, OX, XX	120 X 96	6	6	7	5
7668 OXO	91-3/4 X 80	5	5	5	4
9068 OXO	109-3/4 X 80	5	5	6	4
12068 OXO	145-3/4 X 80	7	7	9	4
15068 OXO	181-3/4 X 80	8	10	11	4
7680 OXO	91-3/4 X 96	5	5	5	5
9080 OXO	109-3/4 X 96	5	5	6	5
12080 OXO	145-3/4 X 96	7	8	9	5
15080 OXO	181-3/4 X 96	8	11	13	5
7668 XIX	88-9/16 X 80	5	5	5	4
9068 XIX	106-9/16 X 80	5	5	6	4
12068 XIX	142-9/16 X 80	7	7	8	4
15068 XIX	178-9/16 X 80	8	10	11	4
7680 XIX	88-9/16 X 96	5	5	5	5
9080 XIX	106-9/16 X 96	5	5	6	5
12080 XIX	142-9/16 X 96	7	8	9	5
15080 XIX	178-9/16 X 96	8	11	13	5
10068 OXXO, XXXX	120-5/8 X 80	6	6	7	4
12068 OXXO, XXXX	144-5/8 X 80	7	7	8	4
16068 OXXO, XXXX	192-5/8 X 80	9	10	12	4
10080 OXXO, XXXX	120-5/8 X 96	6	6	7	5
12080 OXXO, XXXX	144-5/8 X 96	7	8	9	5
16080 OXXO, XXXX	192-5/8 X 96	9	12	14	5



- NOTES:**
- 1) DOOR MATERIAL: ALUMINUM ALLOY 6063.
 - 2) TAPCON TYPE INSTALLATION ANCHORS MUST BE OF SUFFICIENT LENGTH TO ACHIEVE MIN. EMBEDMENT OF 1-1/4" INTO MASONRY OR CONCRETE.
 - 3) ALTERNATE TAPCON INSTALLATION ANCHORS FRONT TO BACK IN ALL FRAME MEMBERS.
 - 4) USE LATEX CAULK FOR PERIMETER SEAL AROUND EXTERIOR OF DOOR.
 - 5) IF EXACT DOOR SIZE IS NOT LISTED IN ANCHOR CHART, USE ANCHOR QUANTITY LISTED WITH NEXT LARGER SIZE, FOR THE APPROPRIATE DESIGN PRESSURE REQ'D.
 - 6) SINGLE GLAZING SHOWN, INSULATED GLAZING ALSO APPROVED. TEMPERED GLASS THICKNESS MAY VARY PER REQUIREMENTS OF ASTM E1300 GLASS CHARTS.
 - 7) ALL FACTORY APPLIED HOLES NOT DESIGNED FOR TAPCON ANCHOR SHOULD BE FILLED WITH #8 SCREWS OF SUFFICIENT LENGTH TO PROVIDE MIN. 5/8" EMBEDMENT INTO WOOD BUCK.
 - 8) JAMB / SILL CORNERS ARE TO BE SEALED WITH A SMALL JOINT SEAM SEALER.
 - 9) SHIM AS REQ'D. AT EA. SET OF INSTALLATION ANCHORS. MAX. ALLOWABLE SHIM STACK TO BE 1/4".
 - 10) ALL INSTALLATION ANCHORS MUST BE MADE OF CORROSION RESISTANT MATERIALS.
 - 11) WHERE "X" REPRESENTS MOVING PANEL AND "O" REPRESENTS FIXED PANEL APPROVED CONFIGURATIONS ARE AS LISTED ON INSTALLATION CHART.
 - 12) NOT ALL CONFIGURATIONS LISTED ABOVE ARE SHOWN ON THIS DRAWING, HOWEVER INSTALLATION SECTIONS "A-A" & "B-B" APPLY TO INSTALLATION OF ALL APPROVED CONFIGURATIONS.
 - 13) MAX ALLOWABLE SPACING BETWEEN TAPCON ANCHORS TO BE 24" O.C.
 - 14) SERIES 470 SLIDING GLASS DOOR IS SHOWN. THIS PRINT ALSO APPLIES TO 430 & 440 SERIES.
 - 15) WHERE DOOR IS INSTALLED IN WOOD FRAME STRUCTURE, USE #10 SCREWS OF SUFFICIENT LENGTH TO ACHIEVE 1-3/8" MIN. EMBEDMENT INTO SUBSTRATE. PLACE #10 SCREWS 6" FROM CORNERS & 24" O.C. MAX.

**MI HOME PRODUCTS
GRATZ, PA.**

TITLE: SERIES 470 SLIDING GLASS DOOR
INSTALLATION WITH TAPCONS

ENGINEER: MANUAL MARTINEZ	DRN: BB	DATE: 1/29/02
DISCIPLINE: CIVIL	SCALE: N.T.S.	DWG. NO: MIHP0018
FL. REG. NO: 47182	REV. LETTER:	SHEET: 1 OF 1