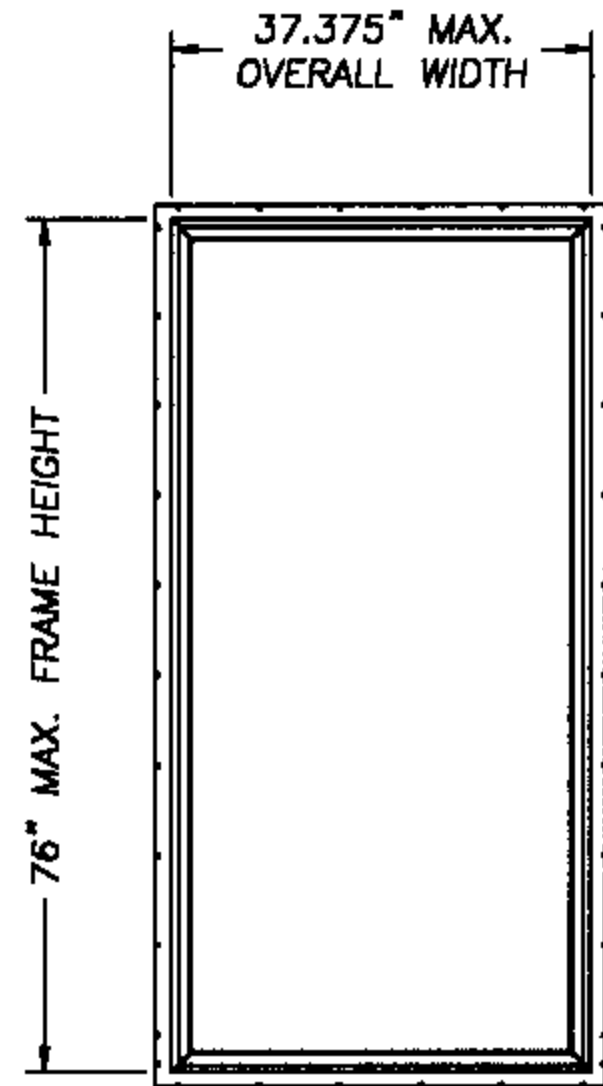


GALAXY WINDOW & DOOR, INC.

TROPICAL FORCE SERIES

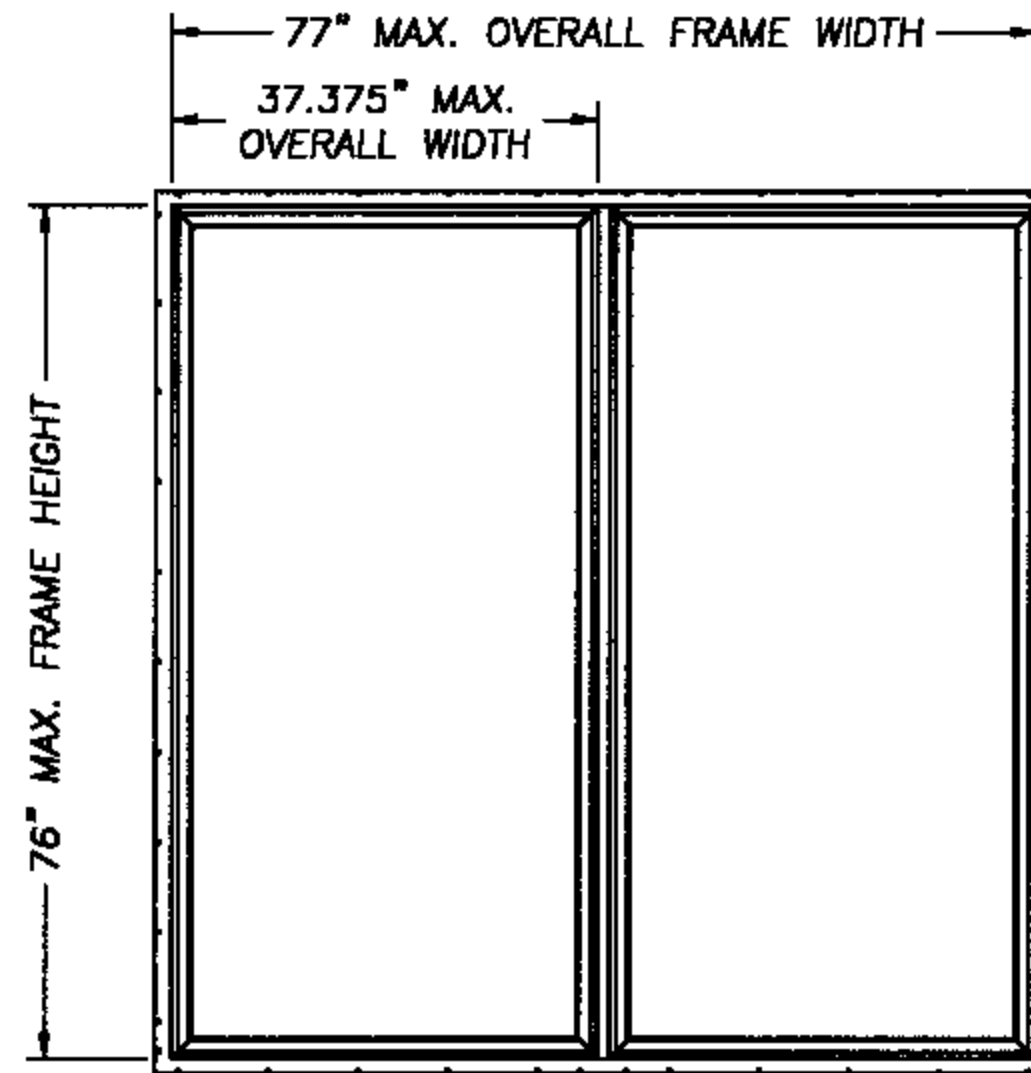
EXTRUDED VINYL FIXED FRAME WINDOWS WITH INSTALLATION FLANGE



0

DESIGN PRESSURE RATING
POS. 60.0 NEG. 65.0

GLASS TABLE
15/32\"/>
0.125\"/>

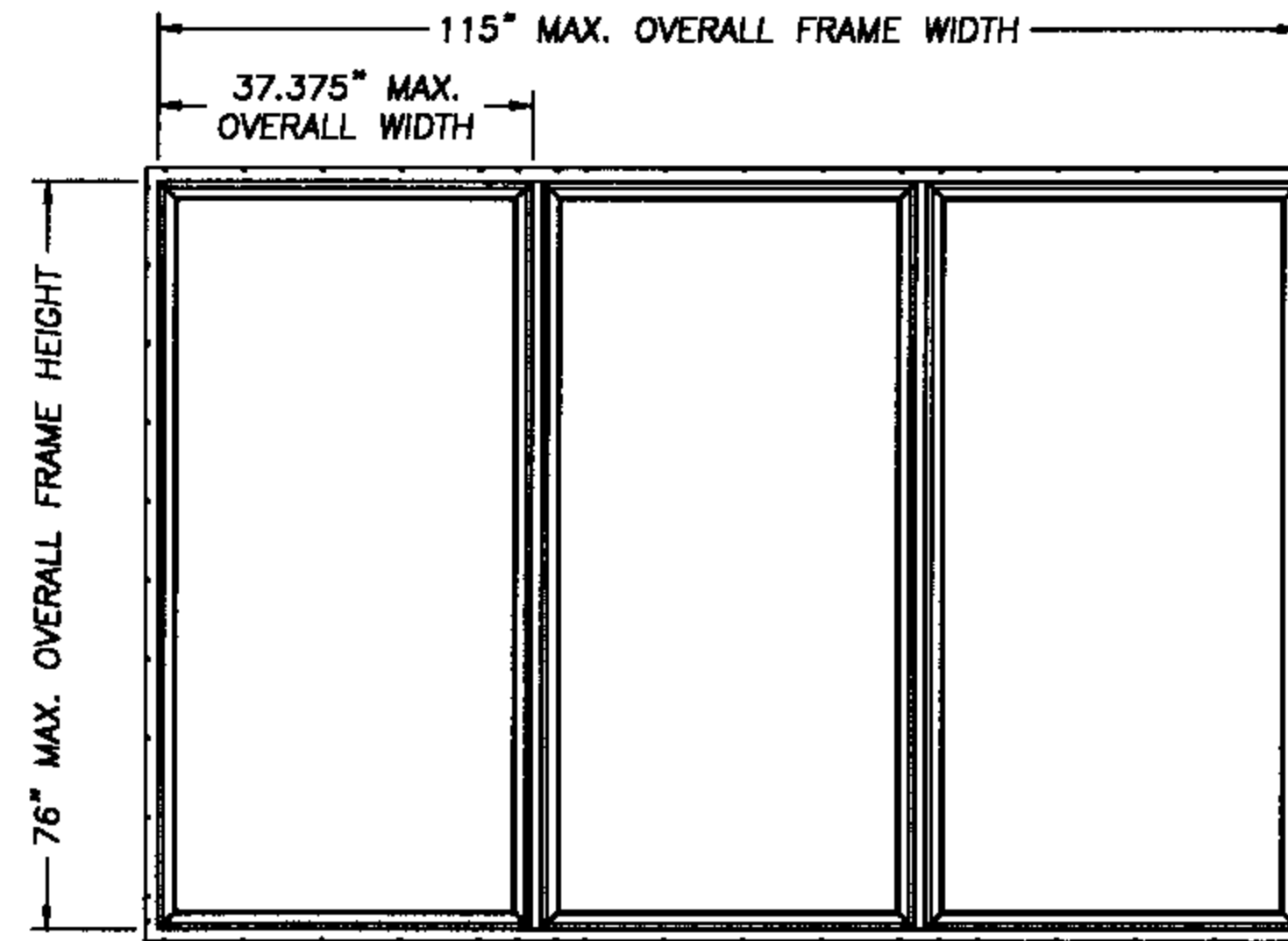


0

0

DESIGN PRESSURE RATING
POS. 60.0 NEG. 65.0

GLASS TABLE
15/32\"/>
0.125\"/>



0

0

0

DESIGN PRESSURE RATING
POS. 60.0 NEG. 65.0

GLASS TABLE
15/32\"/>
0.125\"/>

GENERAL NOTES

1. THIS PRODUCT IS DESIGNED TO COMPLY WITH THE FLORIDA BUILDING CODE.
2. PRODUCT ANCHORS SHALL BE AS LISTED AND SPACED AS SHOWN ON DETAILS.
3. WHEN THIS PRODUCT IS USED IN AN AREA REQUIRING WINDBORNE DEBRIS PROTECTION, FLORIDA BUILDING CODE APPROVED IMPACT RESISTANT SHUTTERS ARE NOT REQUIRED.
4. A "TROPICAL FORCE SERIES" SINGLE HUNG WINDOW MAY BE SUBSTITUTED FOR ANY UNIT IN THE MULLED UNIT COMBINATION AS LONG AS THE WIDTH OF THAT UNIT DOES NOT EXCEED 38".
5. IN THE MULLED APPLICATION YOU CANNOT EXCEED THREE UNITS WITH A MAXIMUM WIDTH OF 115.0".
6. FOR SINGLE FIXED FRAME ANCHORING TO STUD SEE SHEET 2 OF 3.
7. FOR MULLED FIXED FRAME ANCHORING TO STUD SEE SHEET 3 OF 3.

PRODUCT DESCRIPTION

1. VINYL FIXED FRAME WINDOW WITH MITERED AND WELDED CORNERS.
2. THE HEAD AND SIDE JAMBS ARE EXTRUDED VINYL WITH A MIN. OUTER WALL THICKNESS OF 0.083" AND INNER WALL THICKNESS OF 0.044".
3. THE SILL, HEAD JAMB AND SIDE JAMBS ARE REINFORCED WITH STEEL.
4. EACH ANCHOR POINT THROUGH THE JAMB IS REINFORCED WITH PVC BLOCKING.

Lyndon F. Schmidt
 JULY 15, 2002

Lyndon F. Schmidt
 Florida P. E. No. 43409
 19506 French Lace Drive Lutz, FL 33558

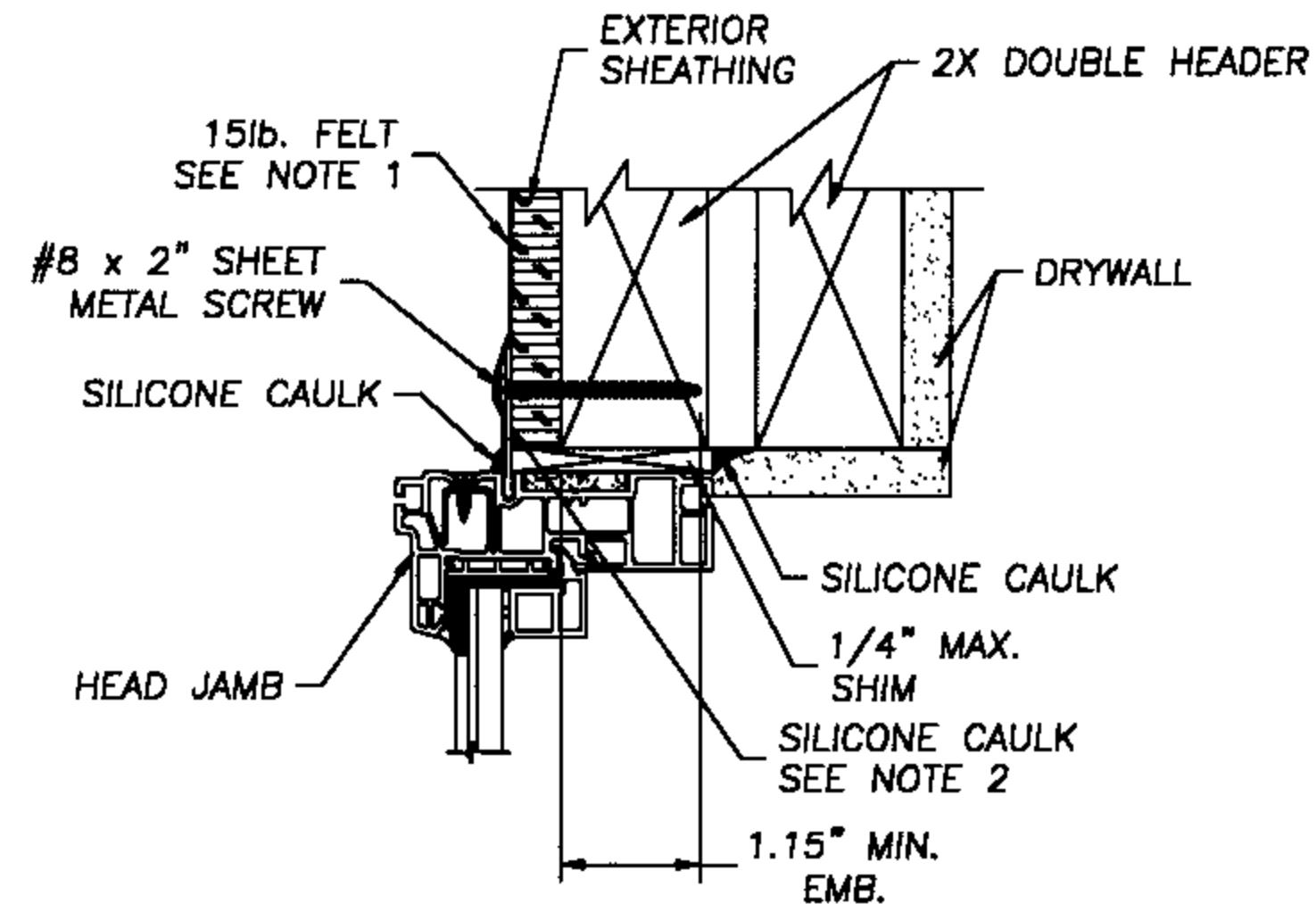
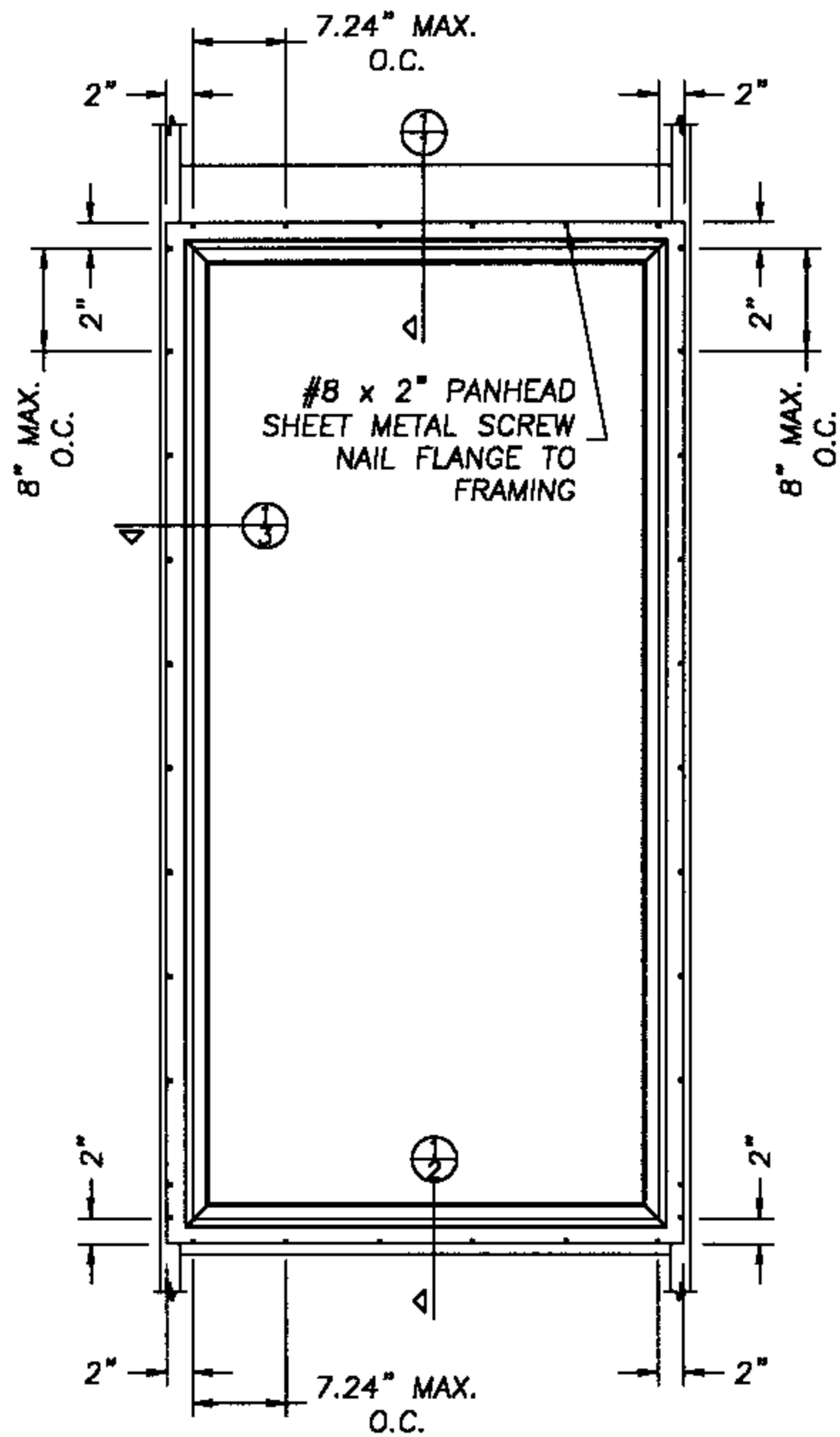
GALAXY Window & Door, Inc.
 1900 N. Andrews Avenue
 Pompano Beach, FL 33069
 PH. 954.978.2400

PRODUCT: "TROPICAL FORCE SERIES"
 FIX FRAME WINDOW
 EXTRUDED VINYL WINDOW
 PART OR ASSEMBLY:
 GENERAL NOTES &
 TYPICAL ELEVATIONS

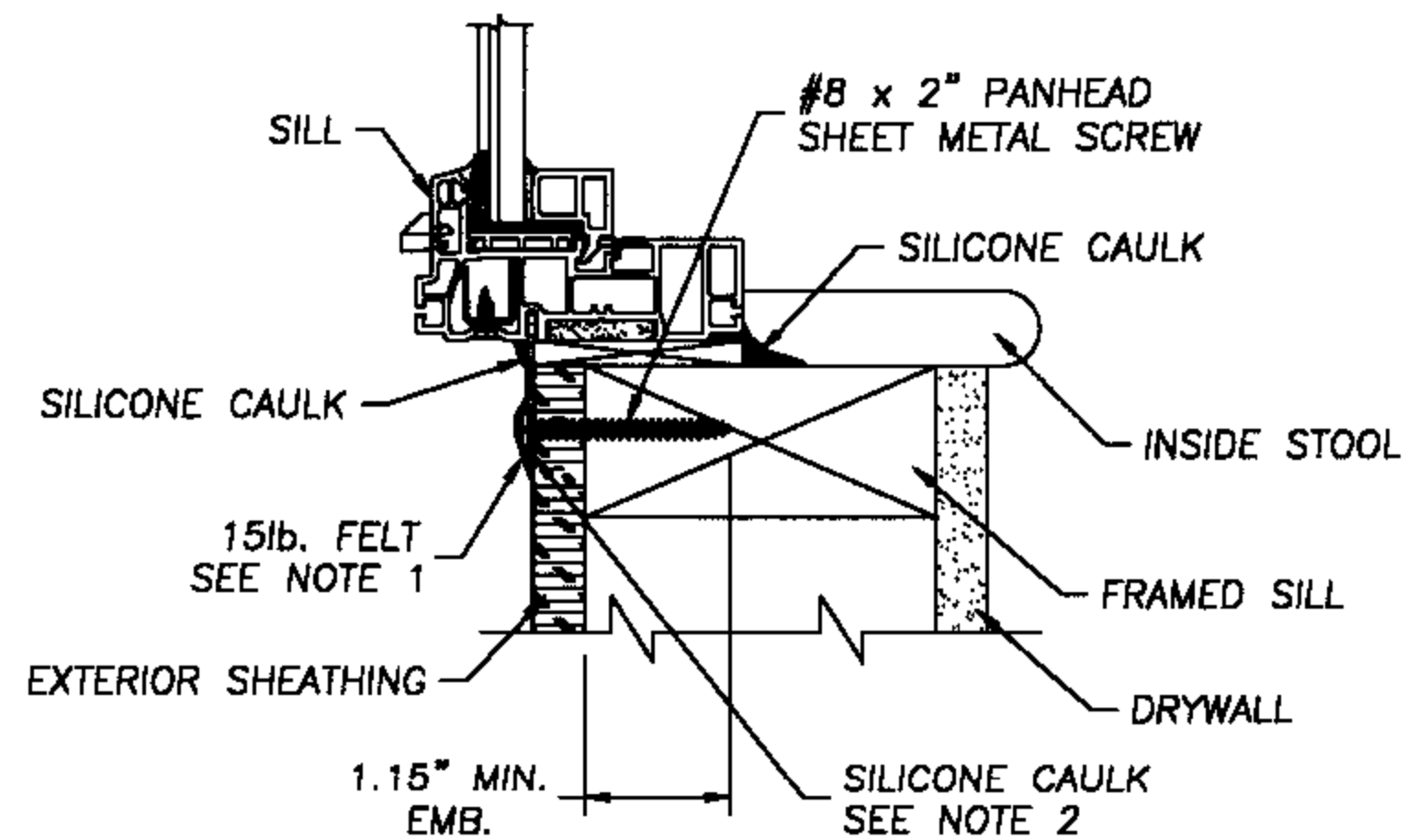
NO.	DATE	REVISIONS	BY

RW BUILDING
 CONSULTANTS, INC.
 813.659.9197

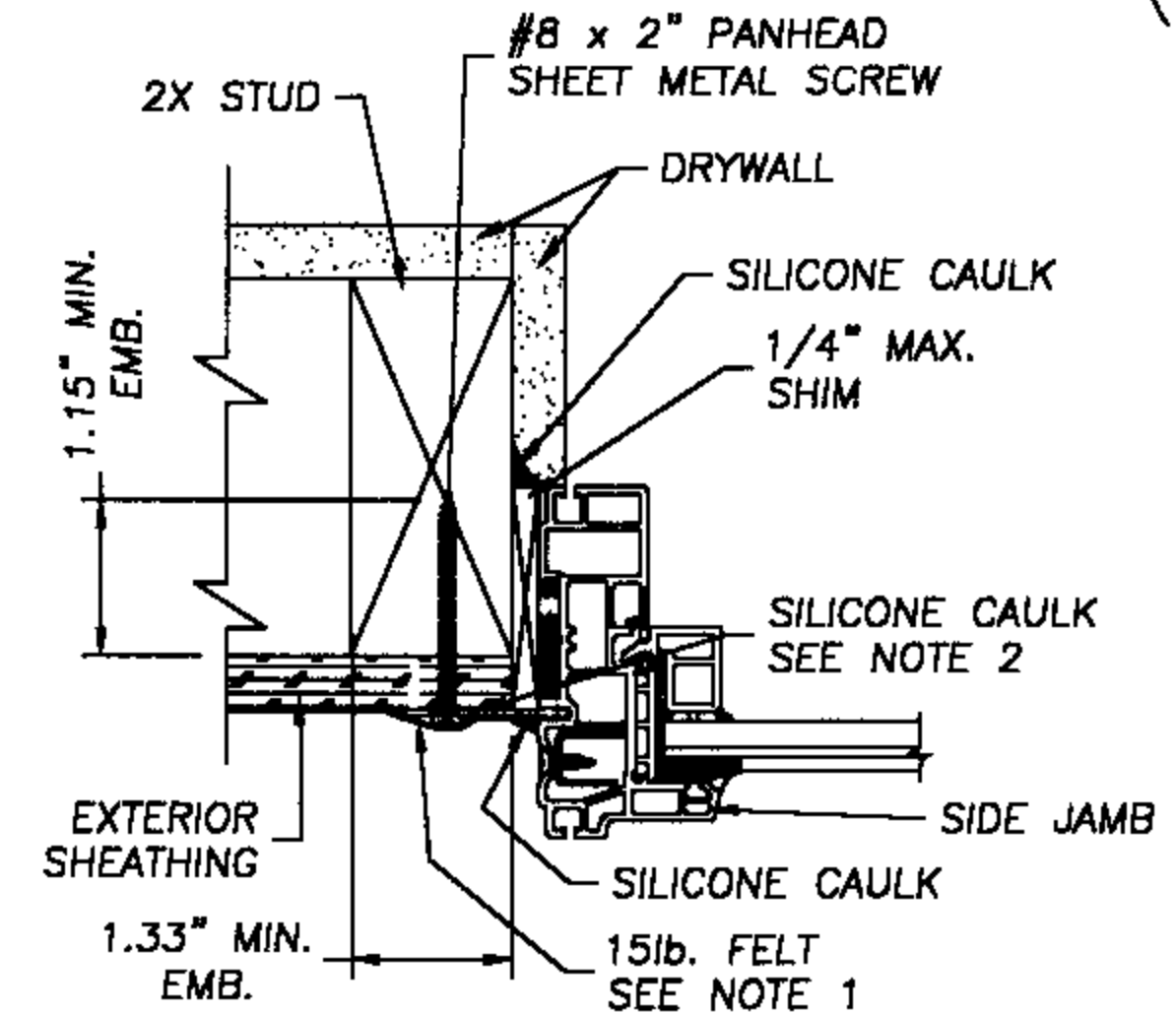
DATE: 6/17/02
 SCALE: N.T.S.
 DWG. BY: WLN
 CHK. BY: RW
 DRAWING NO.: GX-102-OC
 SHEET 1 of 3



1 HEAD JAMB



2 SILL



3 SIDE JAMB

NOTE:

1. 15lbs. felt must be used as a water barrier. The felt must cover the nailing flange and anchor screw heads.
2. The full perimeter of the window nailing flange must have a heavy bead of caulk applied to the building side before the window is placed in the opening.

JULY 15, 2002
 Lyndon F. Schmidt
 Florida P. E. No. 43409
 19506 French Lace Drive
 Lutz, FL 33558

GALAXY Window & Door, Inc.
 1900 N. Andrews Avenue
 Pompano Beach, FL 33069
 PH. 954.978.2400

ANCHORING CROSS SECTIONS
 FOR WOOD CONSTRUCTION
 SINGLE TROPICAL FORCE
 VINYL FIXED FRAME WINDOW

RW BUILDING
 CONSULTANTS, INC.
 813.659.9197

DATE: 6/17/02

SCALE: N.T.S.

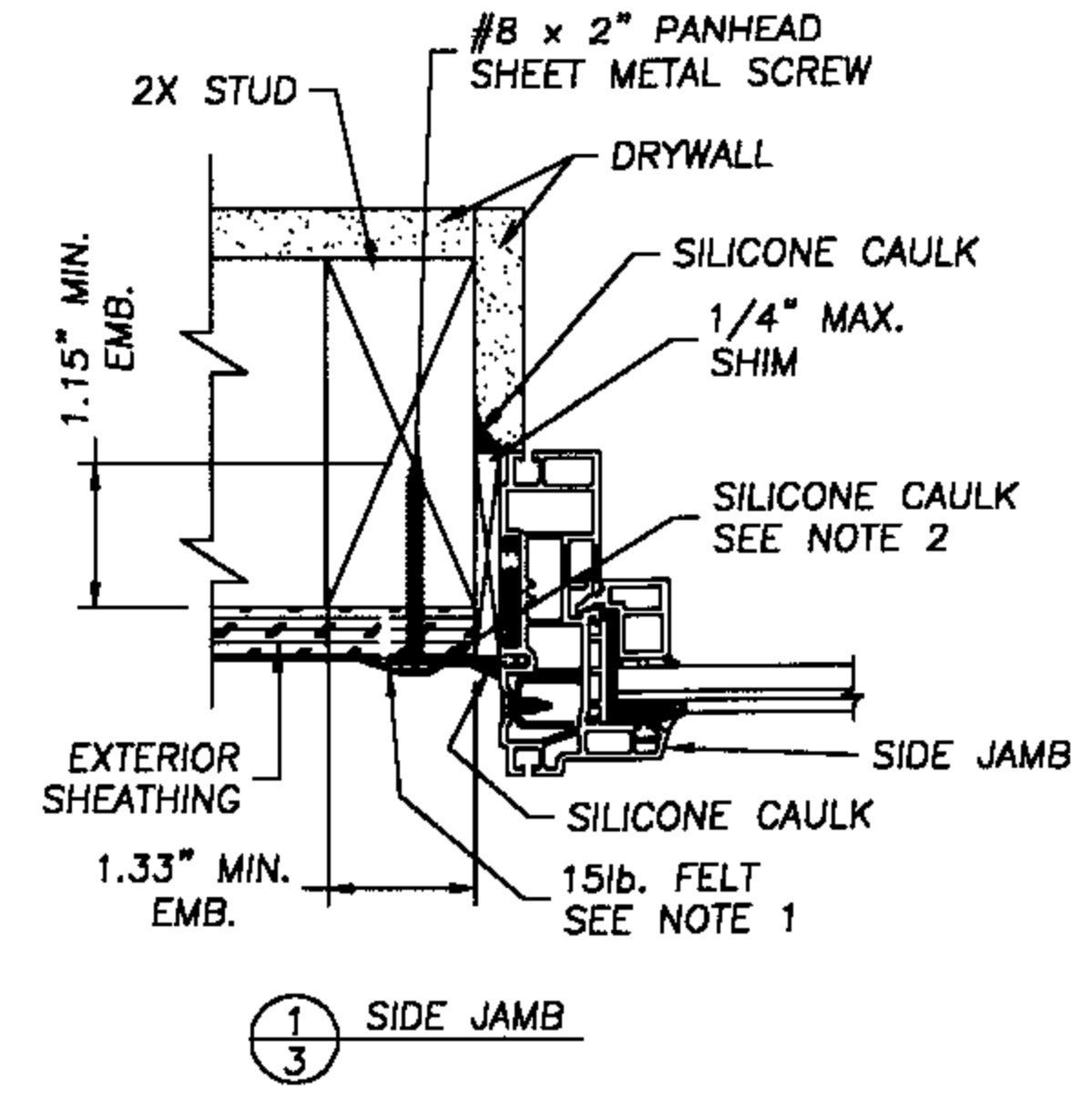
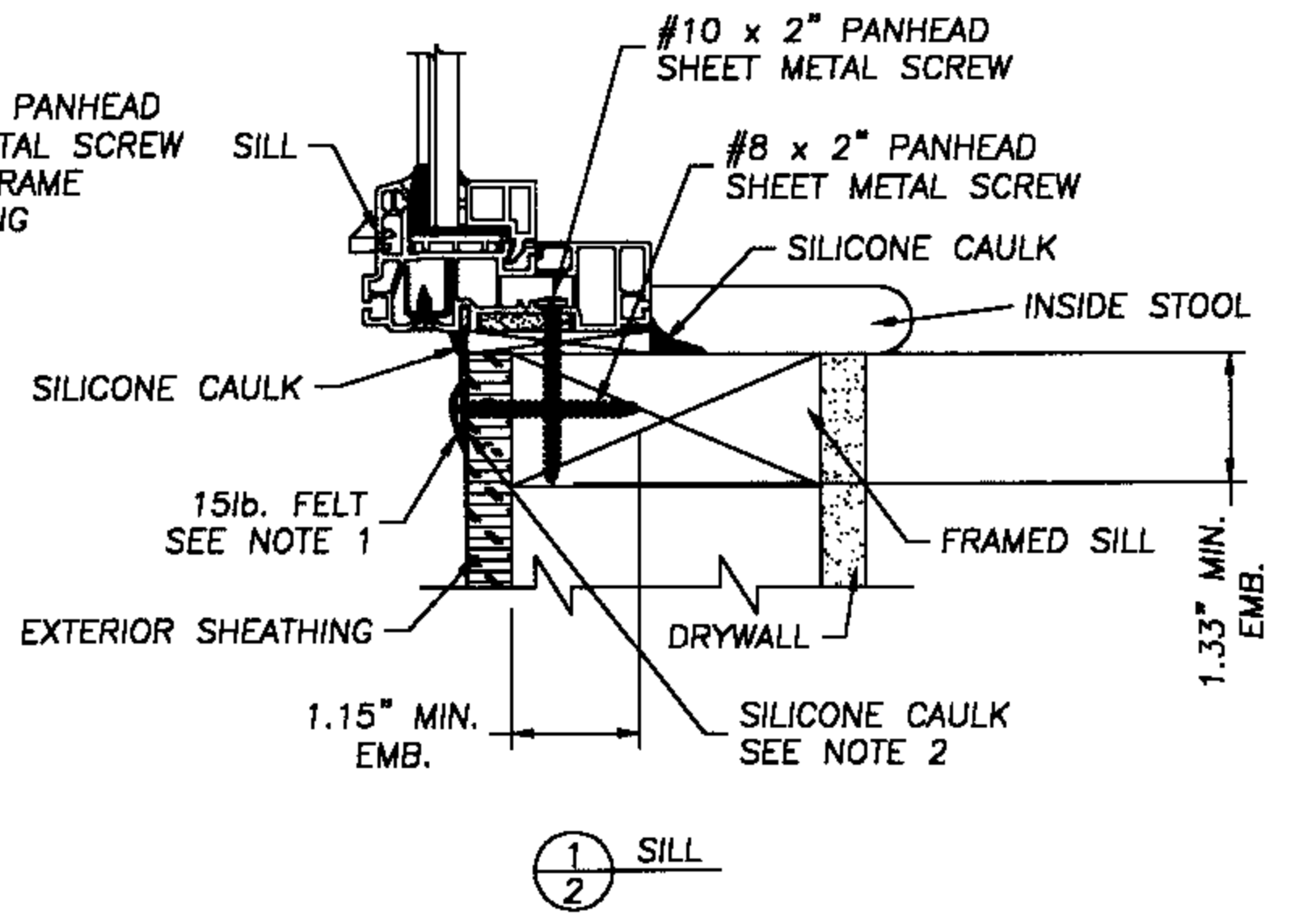
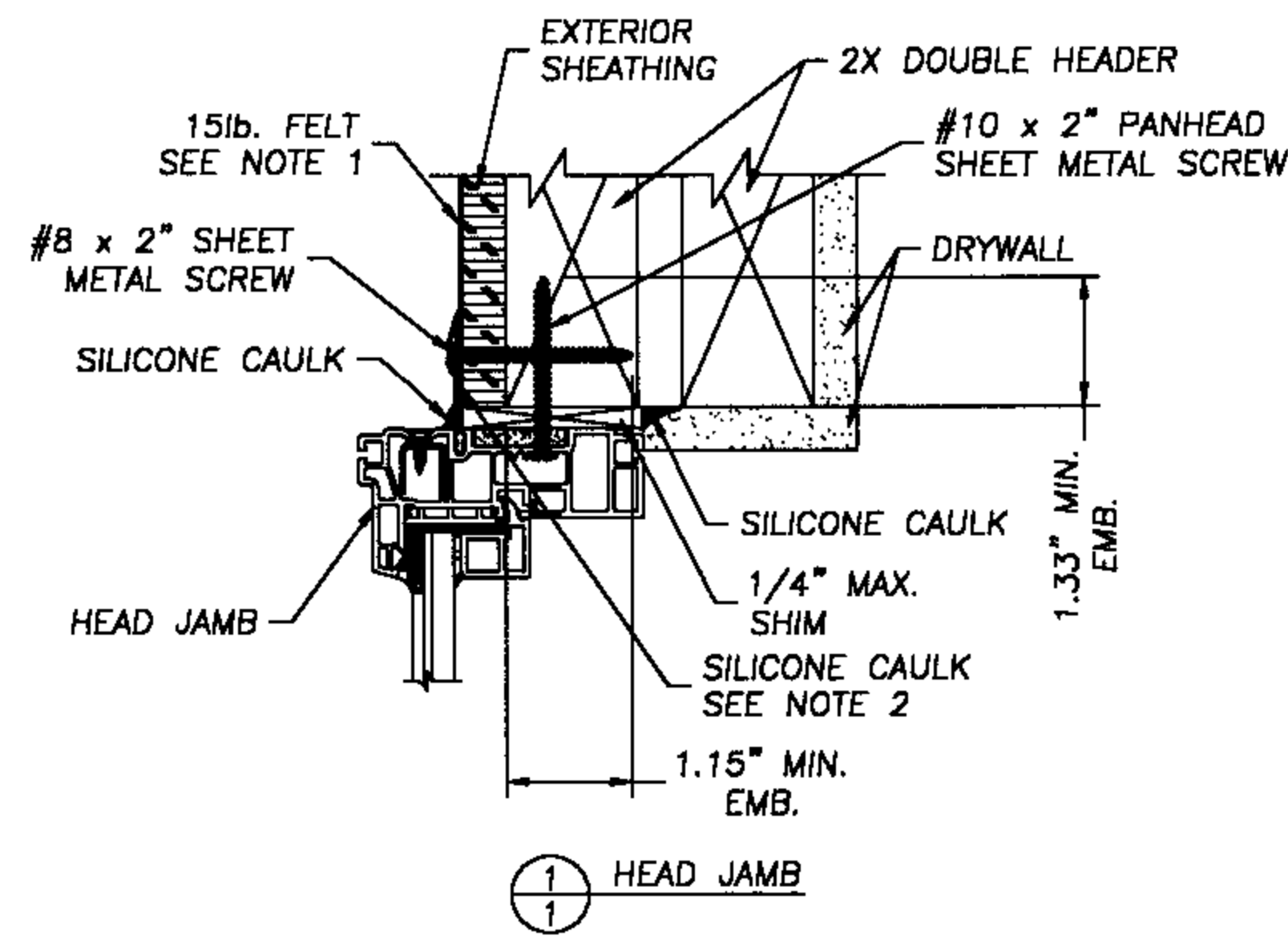
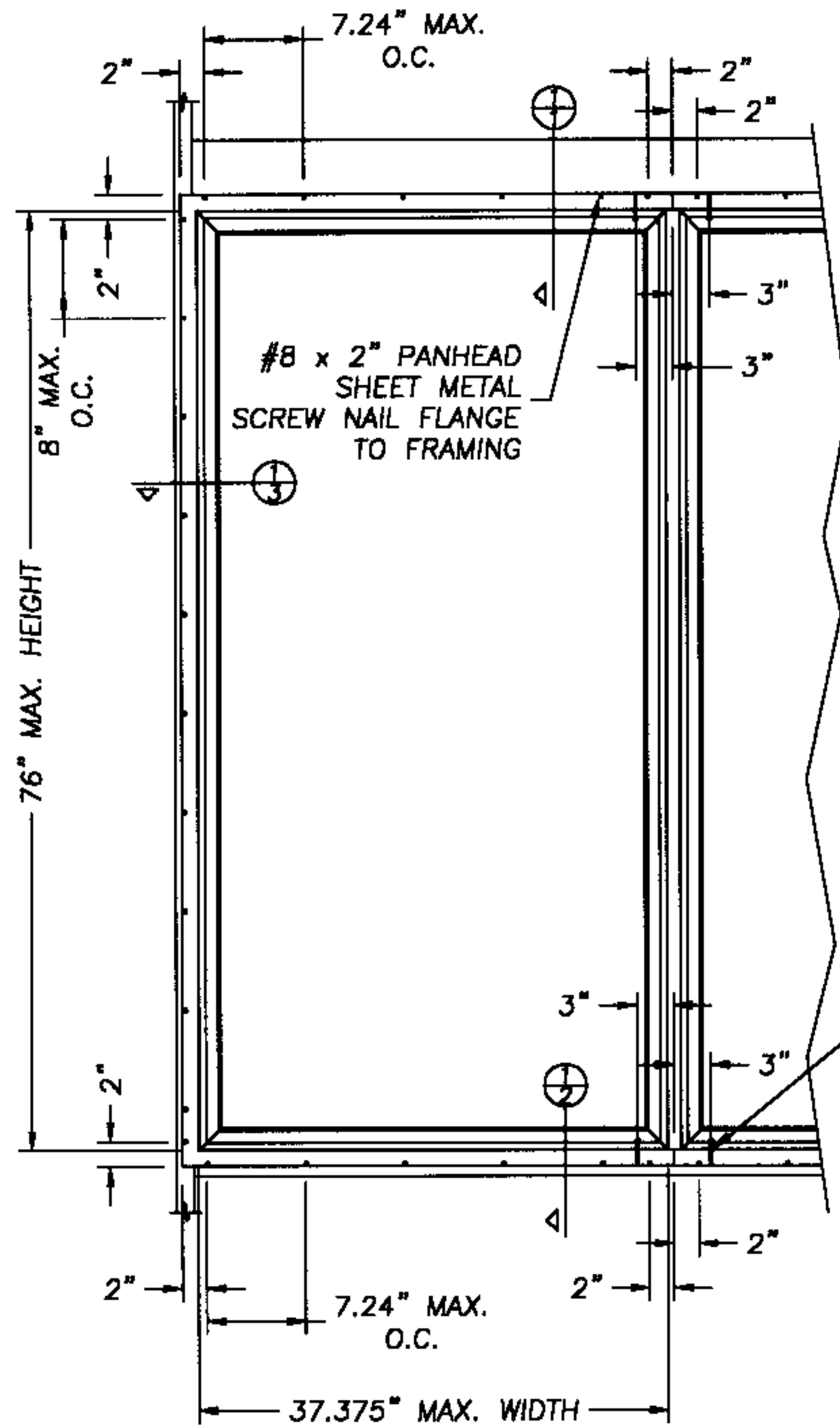
DWG. BY: WLN

CHK. BY: RW

DRAWING NO.:

GX-102-OC

SHEET 2 OF 3



NOTE:

1. 15lbs. felt must be used as a water barrier. The felt must cover the nailing flange and anchor screw heads.
2. The full perimeter of the window nailing flange must have a heavy bead of caulk applied to the building side before the window is placed in the opening.

JULY 15, 2002
Lyndon F. Schmidt
Florida P. E. No. 43409
19506 French Lace Drive
Lutz, FL 33558

GALAXY Window & Door, Inc.
1900 N. Andrews Avenue
Pompano Beach, FL 33069
PH. 954.978.2400

ANCHORING CROSS SECTIONS
FOR WOOD CONSTRUCTION
MULLED TROPICAL FORCE
VINYL FIXED FRAME WINDOW

RW BUILDING
CONSULTANTS, INC.
813.659.9197

DATE: 6/17/02
SCALE: N.T.S.
DWG. BY: WLN
CHK. BY: RW
DRAWING NO.:
GX-102-OC
SHEET 3 OF 3