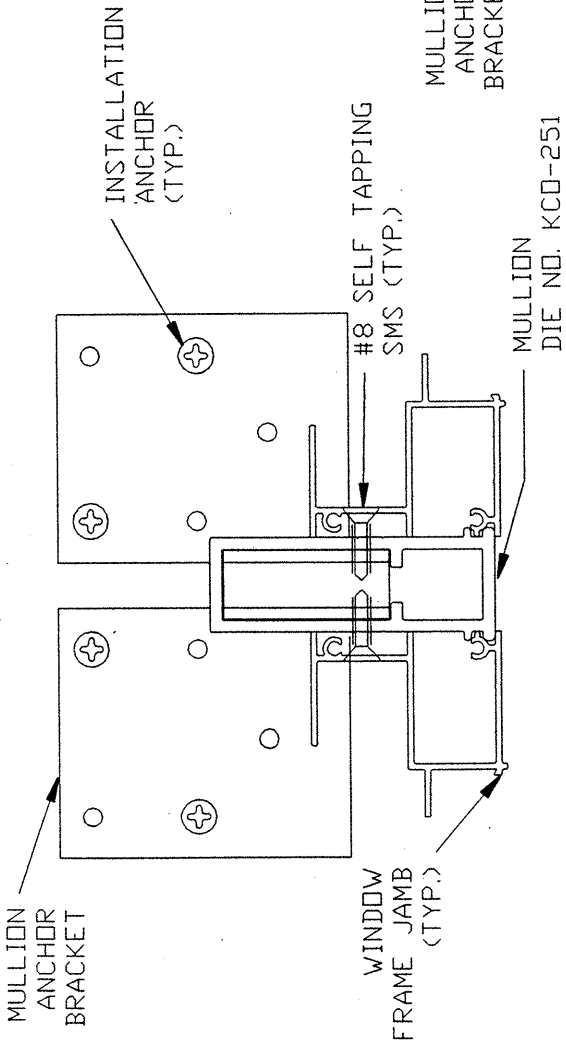
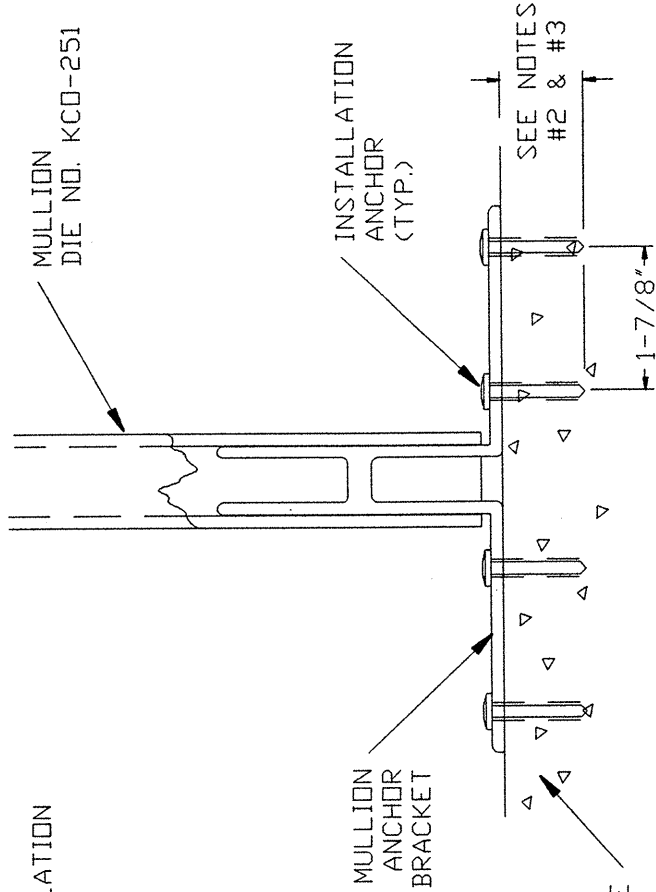


DWG NO: KJAX0058



SECTION A-A



DETAIL B-B

SEE NOTES #2 & #3

Handwritten initials/signature

EXTERIOR ELEVATION

- NOTES:
- 1) MULLION INSTALLATION DETAILS APPLY TO ALUMINUM TUBE MULLION, DIE NO. KCO-251, WHEN USED TO MULL MARK 40 / 50 SINGLE HUNG WINDOWS SIDE BY SIDE.
 - 2) IN MASONRY CONSTRUCTION, ATTACH MULLION TO SUBSTRATE WITH FOUR (4) 3/16" DIA. CONCRETE SCREW ANCHORS OF SUFFICIENT LTH. TO ACHIEVE 1-1/4" MIN. EMBEDMENT INTO CONCRETE OR MASONRY.
 - 3) IN WOOD FRAME CONSTRUCTION, ATTACH MULLION TO SUBSTRATE USING FOUR (4) #10 SCREWS OF SUFFICIENT LTH. TO ACHIEVE 1-3/8" MIN. EMBEDMENT INTO WOOD FRAMING.
 - 4) MULLION AND ATTACHMENT ARE IN COMPLIANCE WITH THE REQUIREMENTS OF THE FLORIDA BUILDING CODE AT THE DESIGN PRESSURES SHOWN ON CHART ON BACK OF THIS SHT.

KINCO, LTD.
JACKSONVILLE, FLORIDA

TITLE: INSTALLATION DETAILS
FIN MARK 40 / 50 SERIES VERTICAL MULLION

| | | | |
|--------|--------|--------|----------|
| AREA: | DRN: | APRVD: | DATE: |
| --- | JS | --- | 3/24/02 |
| WT/FT: | SCALE: | MATL: | DWG NO: |
| --- | HALF | --- | KJAX0058 |

KINCO, LTD.**FIN****ALUMINUM MULLION, DIE #KCO-251****MARK 40 / 50 SERIES FIN SINGLE HUNG WINDOW****COMPARATIVE CHART IN DESIGN PRESSURE - PSF**

| WDW. WTH. > WDW. HGT. V | 23.875 | 27.875 | 31.875 | 35.875 | 39.875 | 43.875 | 47.875 |
|----------------------------|--------|--------|--------|--------|--------|--------|--------|
| 27.500 | 395 | 388 | 388 | 388 | 388 | 388 | 388 |
| 35.500 | 261 | 244 | 236 | 233 | 233 | 233 | 233 |
| 43.500 | 195 | 178 | 167 | 160 | 156 | 155 | 155 |
| 51.500 | 156 | 140 | 130 | 122 | 117 | 113 | 111 |
| 59.500 | 129 | 116 | 106 | 99 | 93 | 89 | 86 |
| 71.500 | 103 | 92 | 83 | 76 | 71 | 68 | 65 |
| 83.500 | 66 | 59 | 53 | 48 | 45 | 42 | 40 |
| 95.500 | 44 | 38 | 34 | 31 | 29 | 27 | 25 |

CHART APPLIES ONLY TO MULLION KCO-251 WHEN USED TO MULL MARK 40 / 50 SERIES FIN SINGLE HUNG WINDOWS.

READ WINDOW WIDTH AND HEIGHT IN INCHES

DESIGN PRESSURE VALUES ON THIS CHART ARE IN PSF

WINDOW WIDTHS AND HEIGHTS LISTED ABOVE ARE SINGLE WINDOW SIZES

DESIGN PRESSURE VALUES APPLY TO MULLION WHERE TWO OR MORE WINDOWS ARE INSTALLED IN A SINGLE OPENING.

ATTACH MULLION TO SUBSTRATE AS FOLLOWS:

CONCRETE OR MASONRY SUBSTRATE - ATTACH EACH END OF MULLION TO STRUCTURE USING FOUR 3/16 IN. DIA. TAPCON TYPE ANCHORS OF SUFFICIENT LENGTH TO ACHIEVE 1-1/4 IN. MIN. EMBEDMENT.

WOOD FRAME SUBSTRATE - ATTACH EACH END OF MULLION TO STRUCTURE USING FOUR #10 SCREWS OF SUFFICIENT LENGTH TO ACHIEVE 1-3/8 IN. MIN. EMBEDMENT.

PREPARED BY:

PRODUCT TECHNOLOGY CORPORATION

250 INTERNATIONAL PARKWAY

SUITE 250

HEATHROW, FLORIDA 32746

PHONE 407 805-0365 / FAX 407 805-0366

CA010451

29-Mar-2002

01-0920