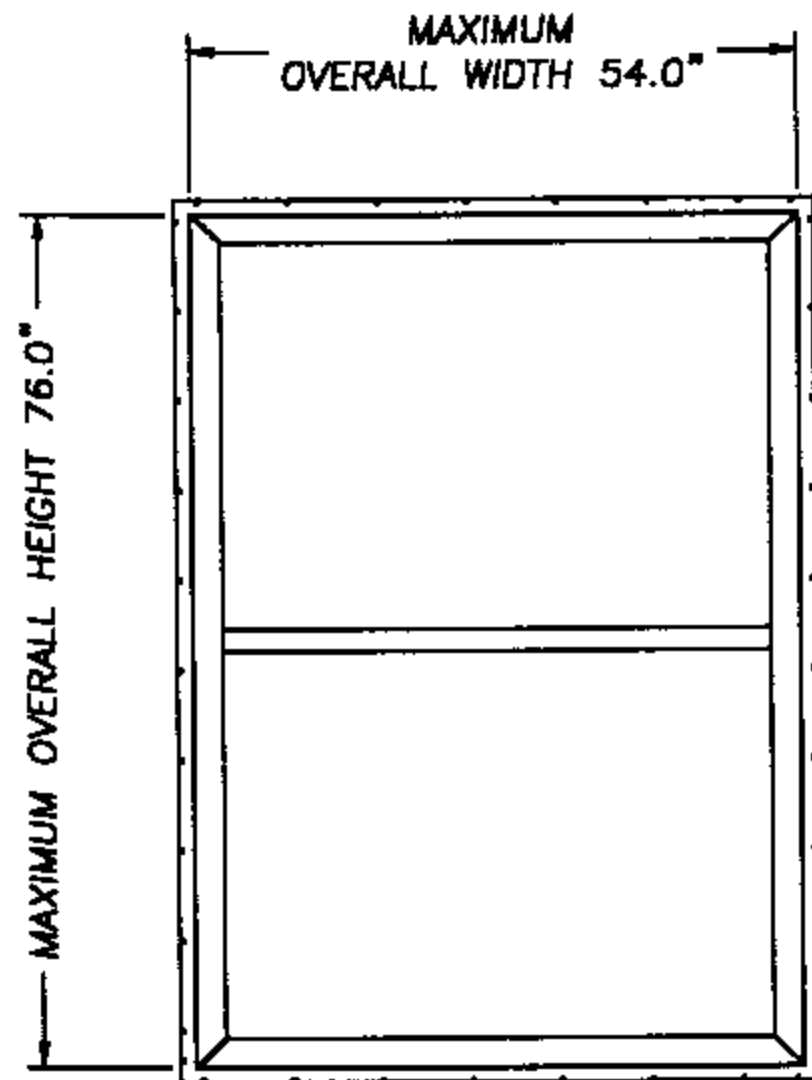


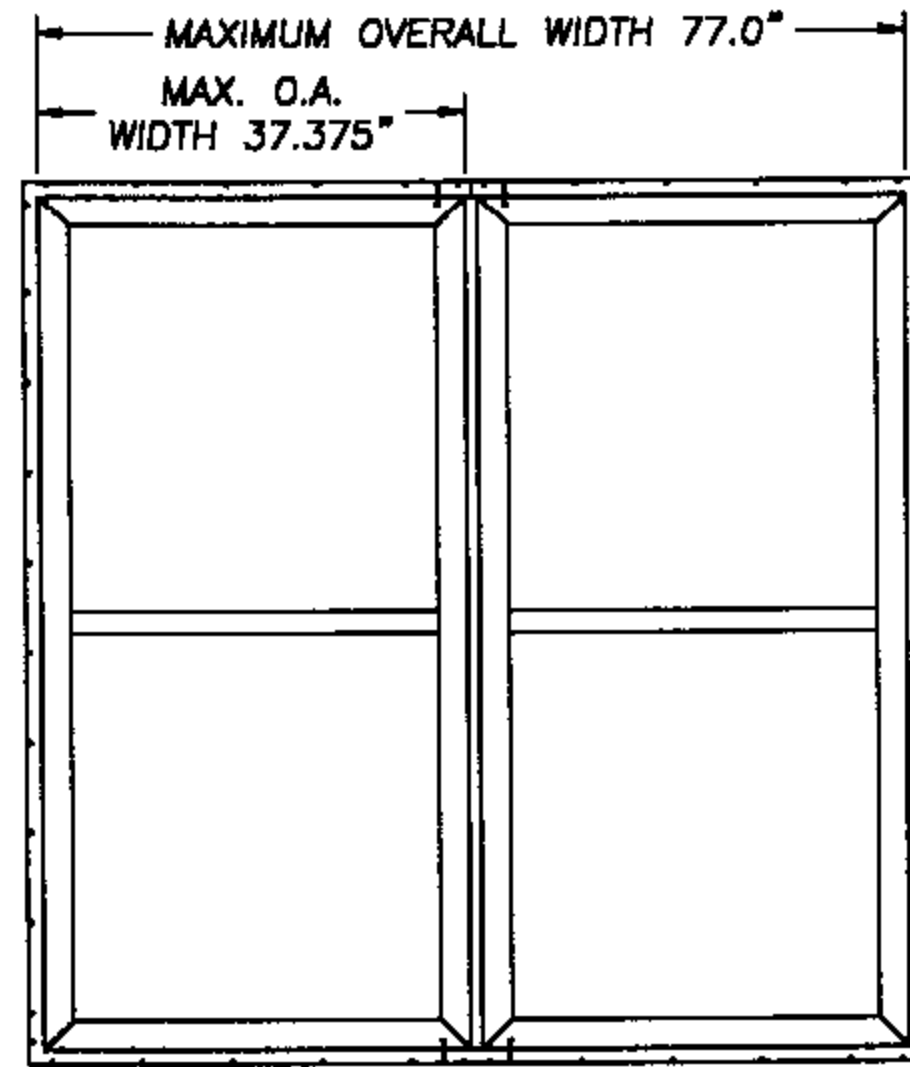
GALAXY WINDOW & DOOR, INC.

TROPICAL FORCE SERIES
EXTRUDED VINYL SINGLE HUNG WINDOWS WITH INSTALLATION FLANGE



$\frac{0}{X}$

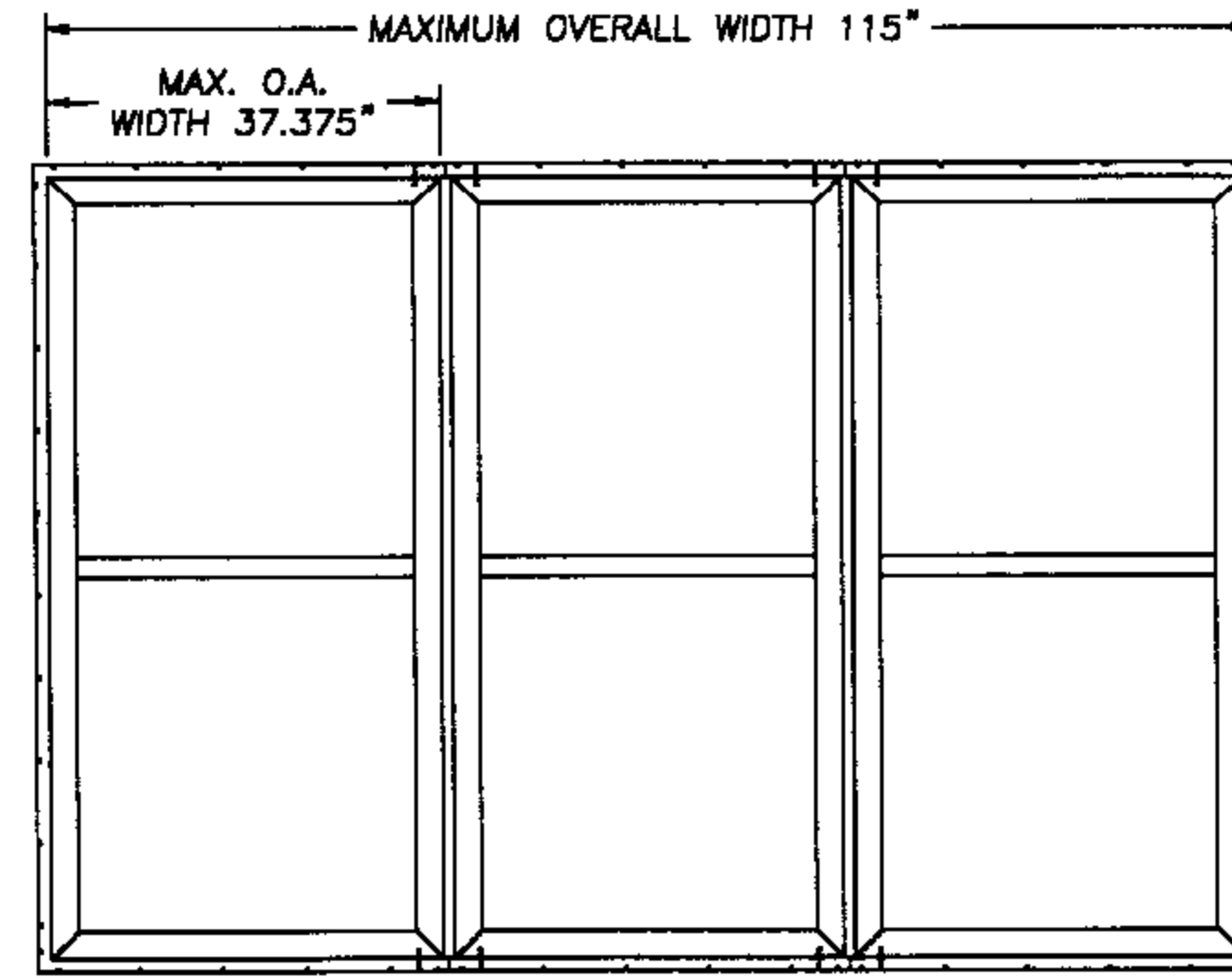
DESIGN PRESSURE RATING
POS. 70.0 NEG. 75.0



$\frac{0}{X}$

$\frac{0}{X}$

DESIGN PRESSURE RATING
POS. 60.0 NEG. 65.0



$\frac{0}{X}$

$\frac{0}{X}$

$\frac{0}{X}$

DESIGN PRESSURE RATING
POS. 60.0 NEG. 65.0

GENERAL NOTES

- THIS PRODUCT IS DESIGNED TO COMPLY WITH THE FLORIDA BUILDING CODE.
- PRODUCT ANCHORS SHALL BE AS LISTED AND SPACED AS SHOWN ON DETAILS.
- WHEN THIS PRODUCT IS USED IN AN AREA REQUIRING WINDBORNE DEBRIS PROTECTION, FLORIDA BUILDING CODE APPROVED IMPACT RESISTANT SHUTTERS ARE NOT REQUIRED.
- A "TROPICAL FORCE SERIES" FIXED FRAME WINDOW MAY BE SUBSTITUTED FOR ANY UNIT IN THE MULLED UNIT COMBINATION AS LONG AS THE WIDTH OF THAT UNIT DOES NOT EXCEED 37.375".
- IN THE MULLED APPLICATION YOU CANNOT EXCEED THREE UNITS WITH A MAXIMUM WIDTH OF 115.0".
- FOR SINGLE HUNG ANCHORING TO STUD SEE SHEET 2 OF 3.
- FOR MULLED SINGLE HUNG ANCHORING TO STUD SEE SHEET 3 OF 3.

PRODUCT DESCRIPTION

- VINYL SINGLE HUNG TILT WINDOW WITH MITERED AND WELDED CORNERS.
- THE HEAD AND SIDE JAMBS ARE EXTRUDED VINYL WITH A MIN. OUTER WALL THICKNESS OF 0.083" AND INNER WALL THICKNESS OF 0.044".
- THE SILL, HEAD JAMB AND SIDE JAMBS ARE REINFORCED WITH AN 0.058" "U" CHANNEL.
- THE SASH AND MEETING RAILS ARE REINFORCED WITH AN 0.051" STEEL CHANNEL.
- THE GLASS IS 15/32 OVERALL, CONSISTING OF (2) LAYERS OF 1/8" TEMPERED GLASS SANDWICHED AROUND AN 0.097" (PET-PVB-PET) INTERLAYER.

Lyndon F. Schmidt
JUNE 11, 2002

Lyndon F. Schmidt
Florida P. E. No. 43409
19506 French Lace Drive Lutz, FL 33558

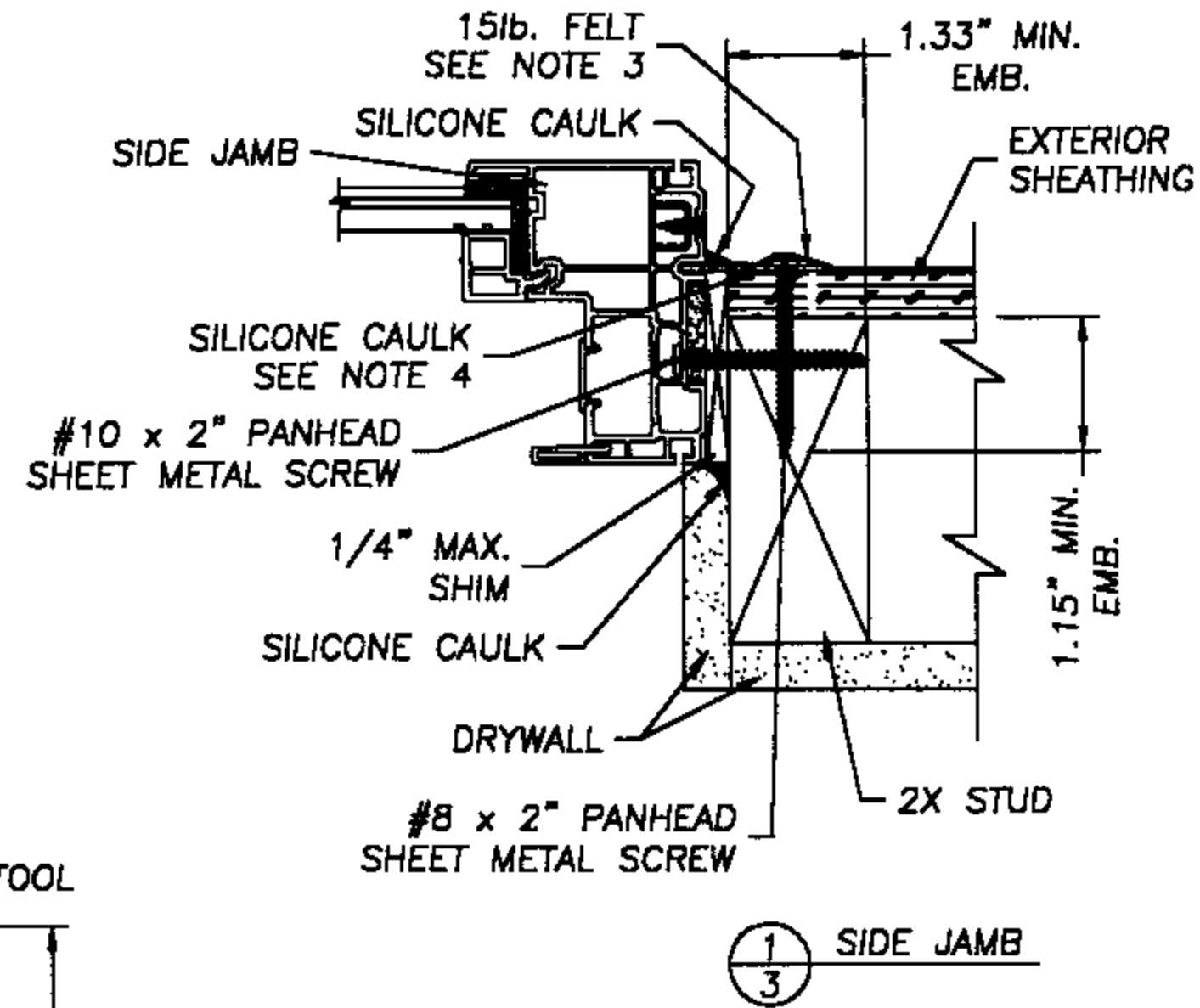
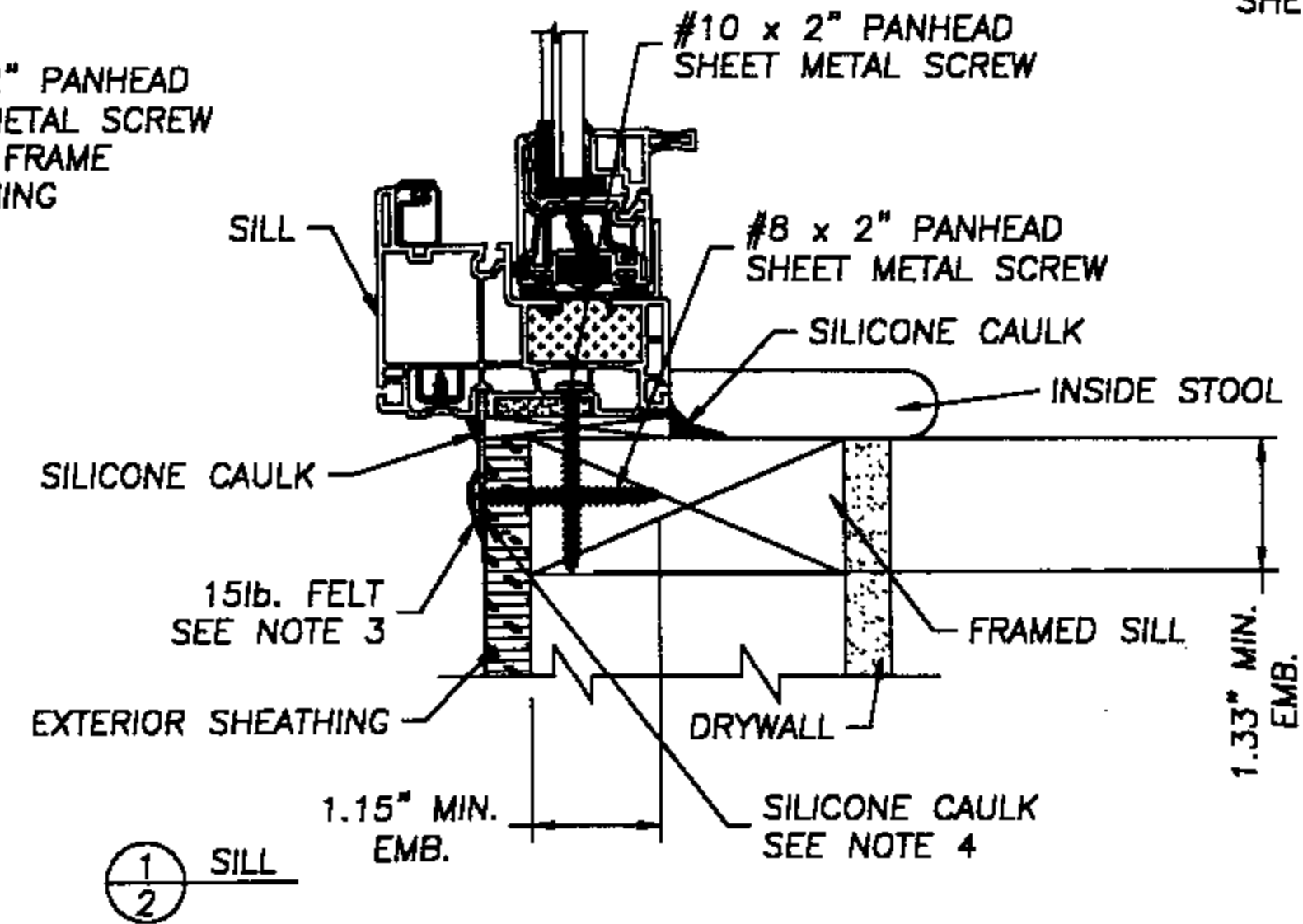
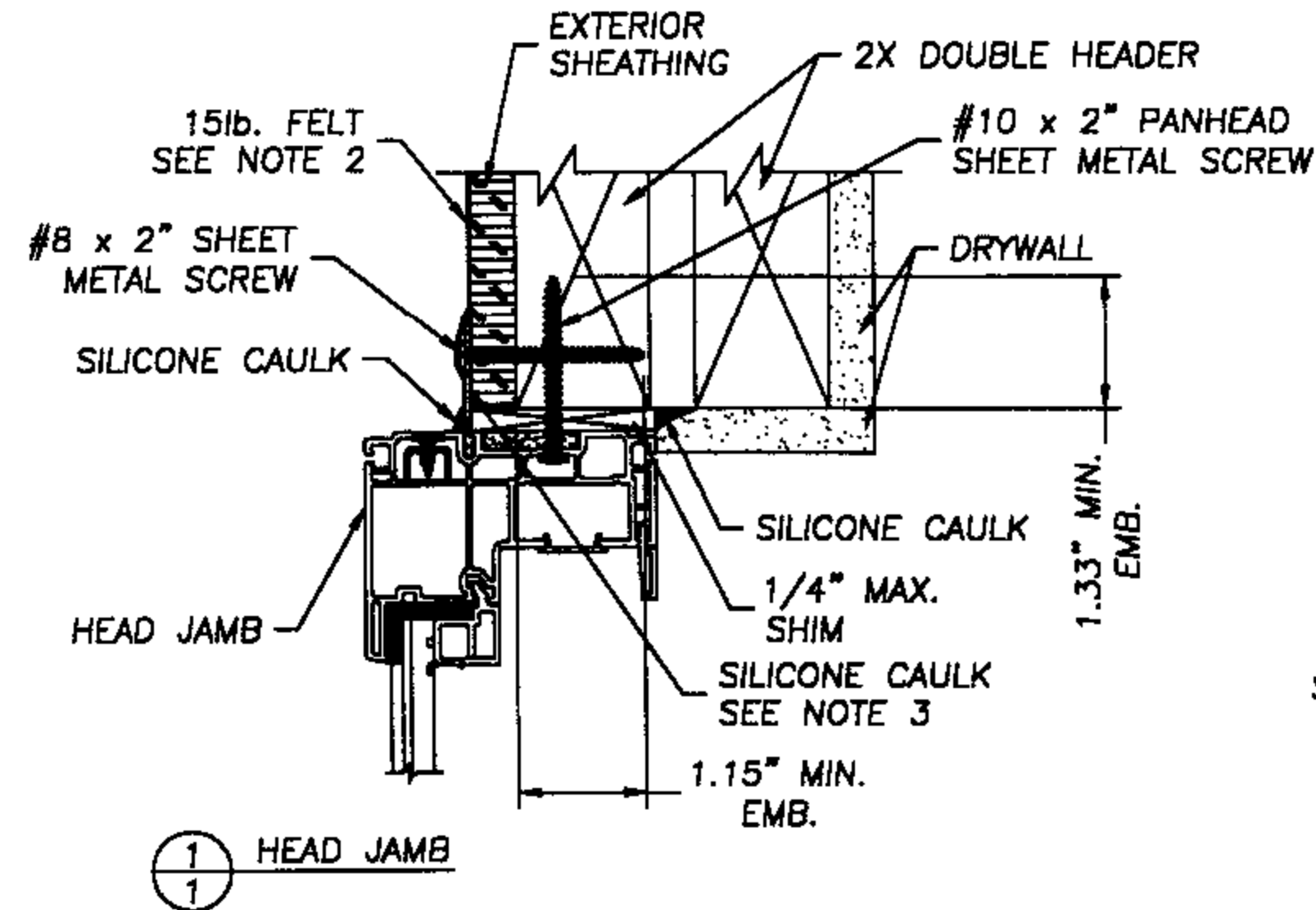
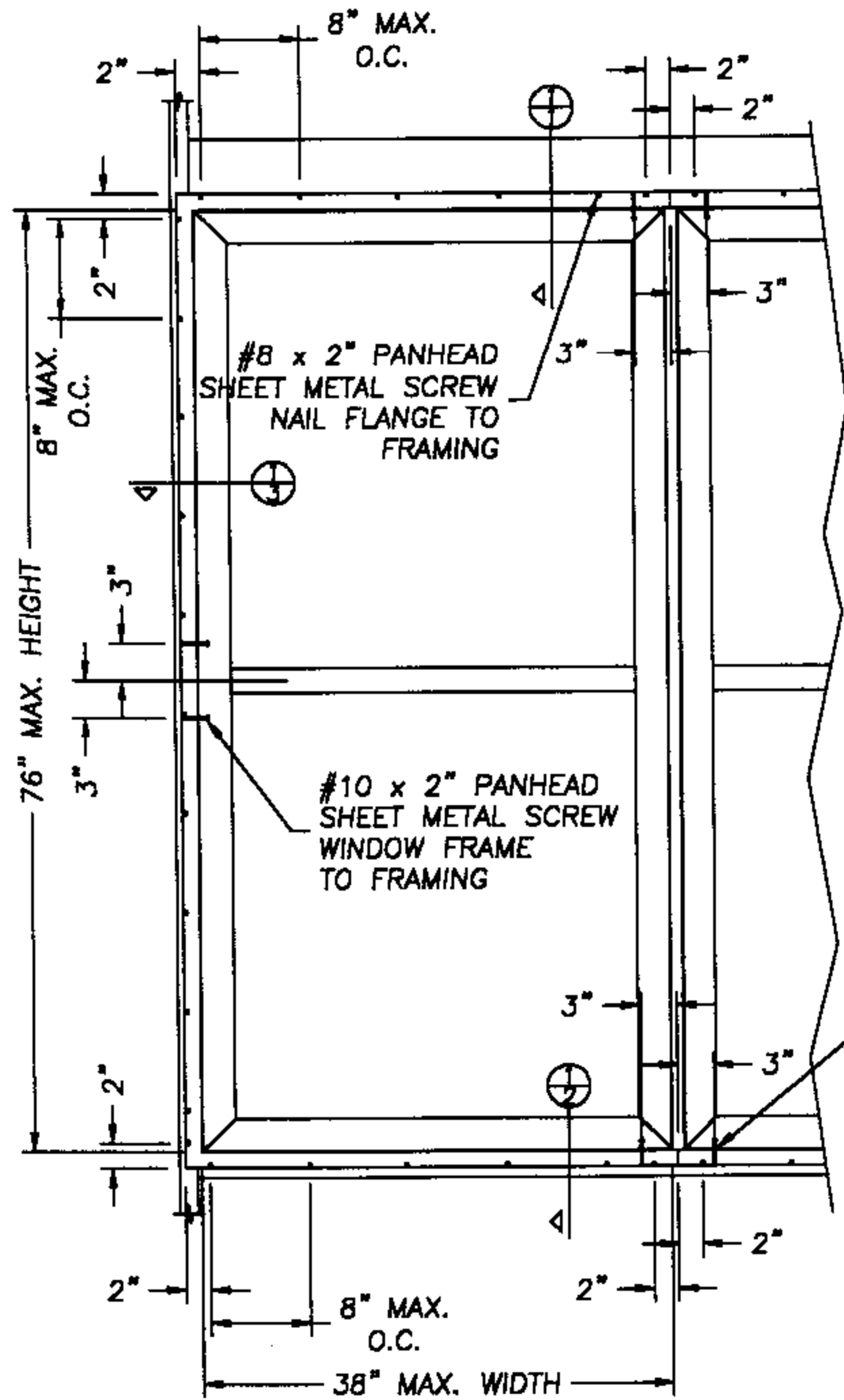
GALAXY Window & Door, Inc.
1900 N. Andrews Avenue
Pompano Beach, FL 33069
PH. 954.978.2400

PRODUCT: "TROPICAL FORCE SERIES"
SINGLE HUNG
EXTRUDED VINYL WINDOW
PART OR ASSEMBLY:
GENERAL NOTES &
TYPICAL ELEVATIONS

NO.	DATE	BY	REVISIONS

RW BUILDING
CONSULTANTS, INC.
813.659.9197

DATE: 6/11/02
SCALE: N.T.S.
DWG. BY: RW
CHK. BY: LS
DRAWING NO.: GX-101-OC
SHEET 1 OF 3



NOTE:

1. Adjust Tapcon anchor locations, if necessary, to maintain a minimum 2.0" clearance from mortar joints.
2. 15lbs. felt must be used as a water barrier. The felt must cover the nailing flange and anchor screw heads.
3. The full perimeter of the window nailing flange must have a heavy bead of caulk applied to the building side before the window is placed in the opening.

June 11, 2002

Lyndon F. Schmidt
 Florida P. E. No. 43409
 19506 French Lace Drive
 Lutz, FL 33558

GALAXY Window & Door, Inc.
 1900 N. Andrews Avenue
 Pompano Beach, FL 33069
 PH. 954.978.2400

**ANCHORING CROSS SECTIONS
 FOR WOOD CONSTRUCTION
 MULLED TROPICAL FORCE
 VINYL SINGLE HUNG WINDOW**

**RW BUILDING
 CONSULTANTS, INC.**
 813.659.9197

DATE: 06/10/02

SCALE: N.T.S.

DWG. BY: TJH

CHK. BY: RW

DRAWING NO.:
 GX-101-OC

SHEET 3 OF 3