

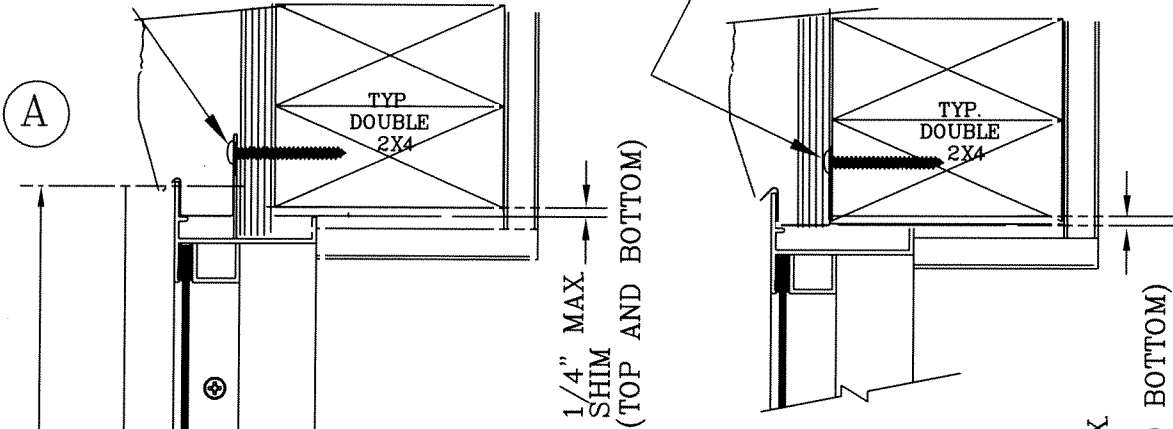
10 X 1-3/4" P.H. S.M.S.
W/1-1/2" MIN. EMBEDMENT
SEE ELEVATION FOR
ANCHOR SPACING.

10 X 1-3/4" P.H. S.M.S.
W/1-1/2" MIN. EMBEDMENT
SEE ELEVATION FOR
ANCHOR SPACING.

NOTES:

- 1) SHIM AS REQUIRED, MAX. SHIM STACK 1/4".
- 2) ALL ALUMINUM EXTRUSIONS ARE ALLOY 6063-T5 OR T6 WITH TYPICAL WALL THICKNESS OF 0.62".
- 3) USE HIGH QUALITY CAULK BEHIND WINDOW FLANGE.
- 4) GLASS THICKNESS BASED ON TABLE E1300 GLASS CHARTS, AND MAY VARY DEPENDING ON SIZE.
- 5) THE RESPONSIBILITY FOR SELECTION OF NORANDEX PRODUCTS TO MEET ANY APPLICABLE LOCAL LAWS, BUILDING CODES, ORDINANCES OR OTHER SAFETY REQUIREMENTS REST SOLELY WITH THE ARCHITECT, BUILDING OWNER OR CONTRACTOR.
- 6) NOTE * INDICATES THAT EQUAL FASTENERS AT HEAD AND SILL ARE REQUIRED.

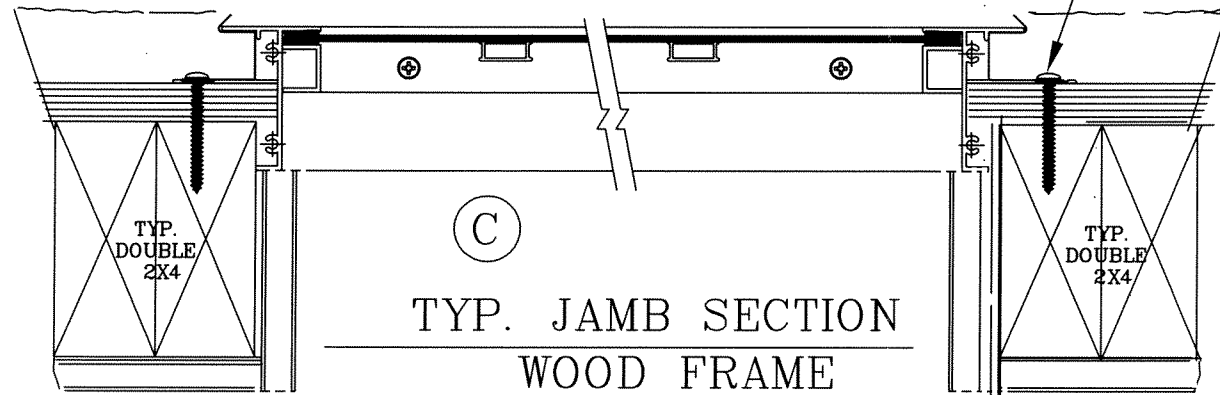
WINDOW DIMENSIONS		WINDOW FASTENER SCHEDULE					
WIDTH (INCHES)	HEIGHT (INCHES)	NO. ANCHORS HEAD/SILL SEE NOTE 6			NO. ANCHORS JAMB		
		35 (PSF)	45 (PSF)	60 (PSF)	35 (PSF)	45 (PSF)	60 (PSF)
18-1/8"	25"	2	2	2*	2	2	2
25-1/2"		2	2	2*	2	2	2
36"		2	3	3*	2	2	2
52-1/8"	37-1/4"	3	3	4*	2	2	2
18-1/8"		2	2	2*	2	3	3
25-1/2"		2	2	2*	2	3	3
36"	49-5/8"	2	3	3*	2	3	3
52-1/8"		3	3	4*	2	3	3
18-1/8"		2	2	2*	3	3	3
25-1/2"	62"	2	2	2*	3	3	3
36"		2	3	3*	3	4	4
52-1/8"		3	3	4*	3	4	4
18-1/8"	76-3/4"	2	2	2*	3	4	5
25-1/2"		2	2	2*	3	4	5
36"		2	3	3*	3	4	5
52-1/8"		3	3	4*	3	4	5



ALT. FIN ATTACHMENT
UNDER SHEATHING

1/4" MAX.
SHIM
(TOP AND BOTTOM)

10 X 1-3/4" P.H. S.M.S.
W/1-1/2" MIN. EMBEDMENT
SEE ELEVATION FOR
ANCHOR SPACING.



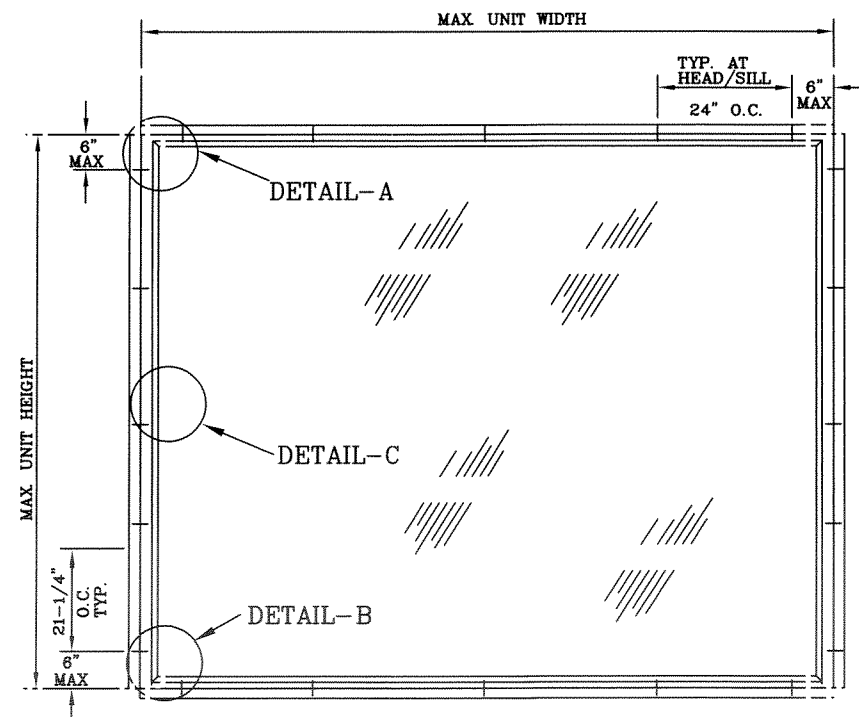
TYP. JAMB SECTION
WOOD FRAME

1/4" MAX.
SHIM
(TOP AND BOTTOM)

HEADER AND SILL SECTION
WOOD FRAME

10 X 1-3/4" P.H. S.M.S.
W/1-1/2" MIN. EMBEDMENT
SEE ELEVATION FOR
ANCHOR SPACING.

Charles A. Pagen
CHARLES A. PAGEN, P.E.
FL. REG. ENG. # 49121
DATE: 3/27/02



SERIES: 438
 ALUMINUM FIXED WINDOW
NORANDEX
 4505 30th STREET WEST
 BRADENTON, FL. 34207
 PHONE: (941) 755-1591

NO.	DATE	REVISIONS DESCRIPTION

DATE: 12/22/01
SCALE: N.T.S.
DWG. BY: J.R.M.
CHK. BY: RLK
DWG. NO.: FBC-022