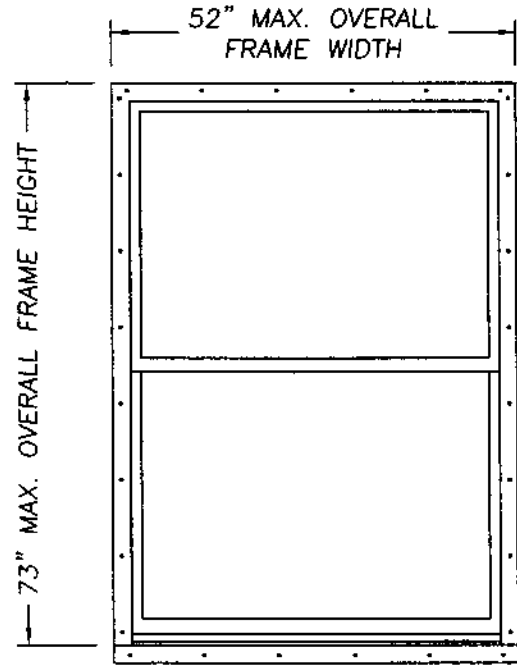
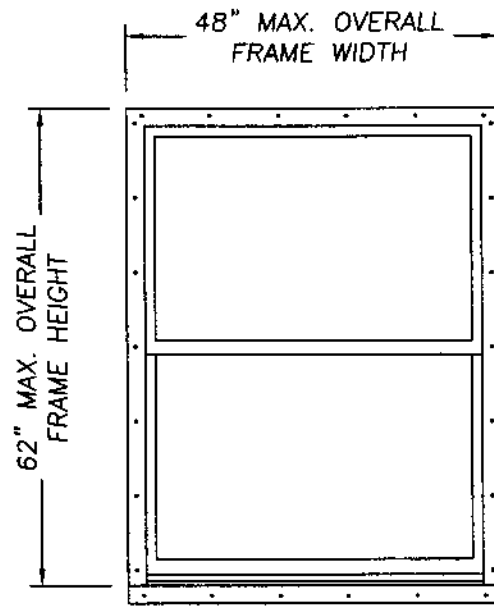


Silverline Building Products Corp.

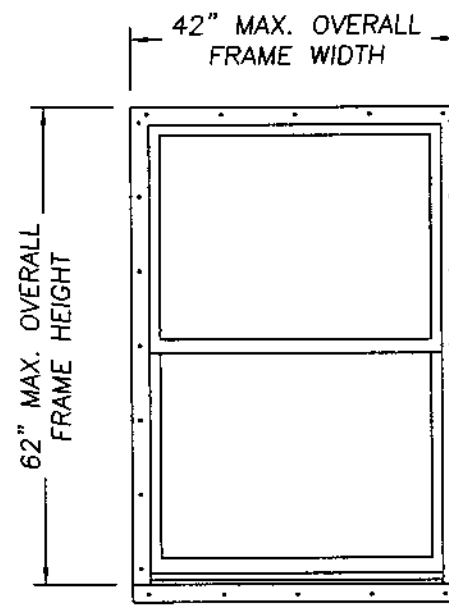
SILVERLINE 2100 SERIES MODEL 2160
EXTRUDED VINYL SINGLE HUNG WINDOWS W/NAILING FIN



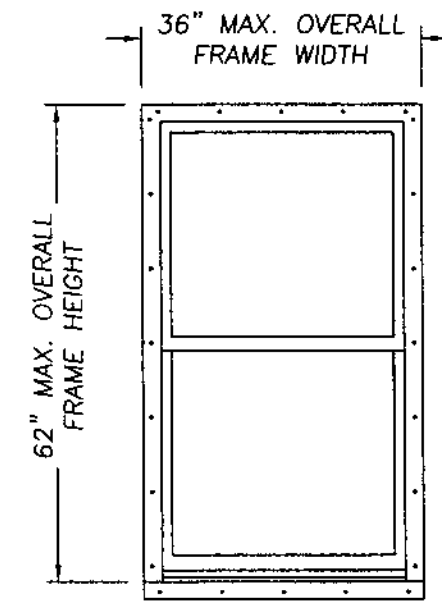
O
X



O
X



O
X



O
X

DESIGN PRESSURE RATING
POS. 25.0 NEG. 25.0

GLASS TABLE
5/8" INSULATED GLASS
1/8" ANN. - AIR SPACE - 1/8" ANN.

DESIGN PRESSURE RATING
POS. 30.0 NEG. 30.0

GLASS TABLE
5/8" INSULATED GLASS
1/8" ANN. - AIR SPACE - 1/8" ANN.

(ACHIEVED BY COMPARISON ANALYSIS)

DESIGN PRESSURE RATING
POS. 35.0 NEG. 35.0

GLASS TABLE
5/8" INSULATED GLASS
1/8" ANN. - AIR SPACE - 1/8" ANN.

(ACHIEVED BY COMPARISON ANALYSIS)

DESIGN PRESSURE RATING
POS. 45.0 psf NEG. 45.0 psf

GLASS TABLE
5/8" INSULATED GLASS
1/8" ANN. - AIR SPACE - 1/8" ANN.

GENERAL NOTES

1. THIS PRODUCT IS DESIGNED TO COMPLY WITH THE FLORIDA BUILDING CODE.
2. PRODUCT ANCHORS SHALL BE AS LISTED AND SPACED AS SHOWN ON DETAILS.
3. WHEN THIS PRODUCT IS USED IN AN AREA REQUIRING WINDBORNE DEBRIS PROTECTION, FLORIDA BUILDING CODE APPROVED IMPACT RESISTANT SHUTTERS ARE REQUIRED.
4. MASONRY ANCHORING FOR 1x BUCK SEE SHEET 2 OF 3.
5. MASONRY ANCHORING FOR 2x BUCK SEE SHEET 3 OF 3.

PRODUCT DESCRIPTION

1. VINYL SINGLE HUNG WINDOW WITH MITERED AND WELDED CORNERS.
2. THE HEAD AND SIDE JAMBS ARE EXTRUDED VINYL WITH AN EXTERIOR WALL THICKNESS OF 0.070" +/- 0.008".
3. ALL ACTIVE SASH MEMBERS REINFORCED WITH SOLID ALUMINUM BAR STOCK.
4. THE FIXED MEETING RAIL UTILIZES A ROLLED FORMED STEEL REINFORCEMENT.

September 24, 2002
Lyndon F. Schmidt
Florida P. E. No. 43409
19506 French Lace Drive Lutz, FL 33558

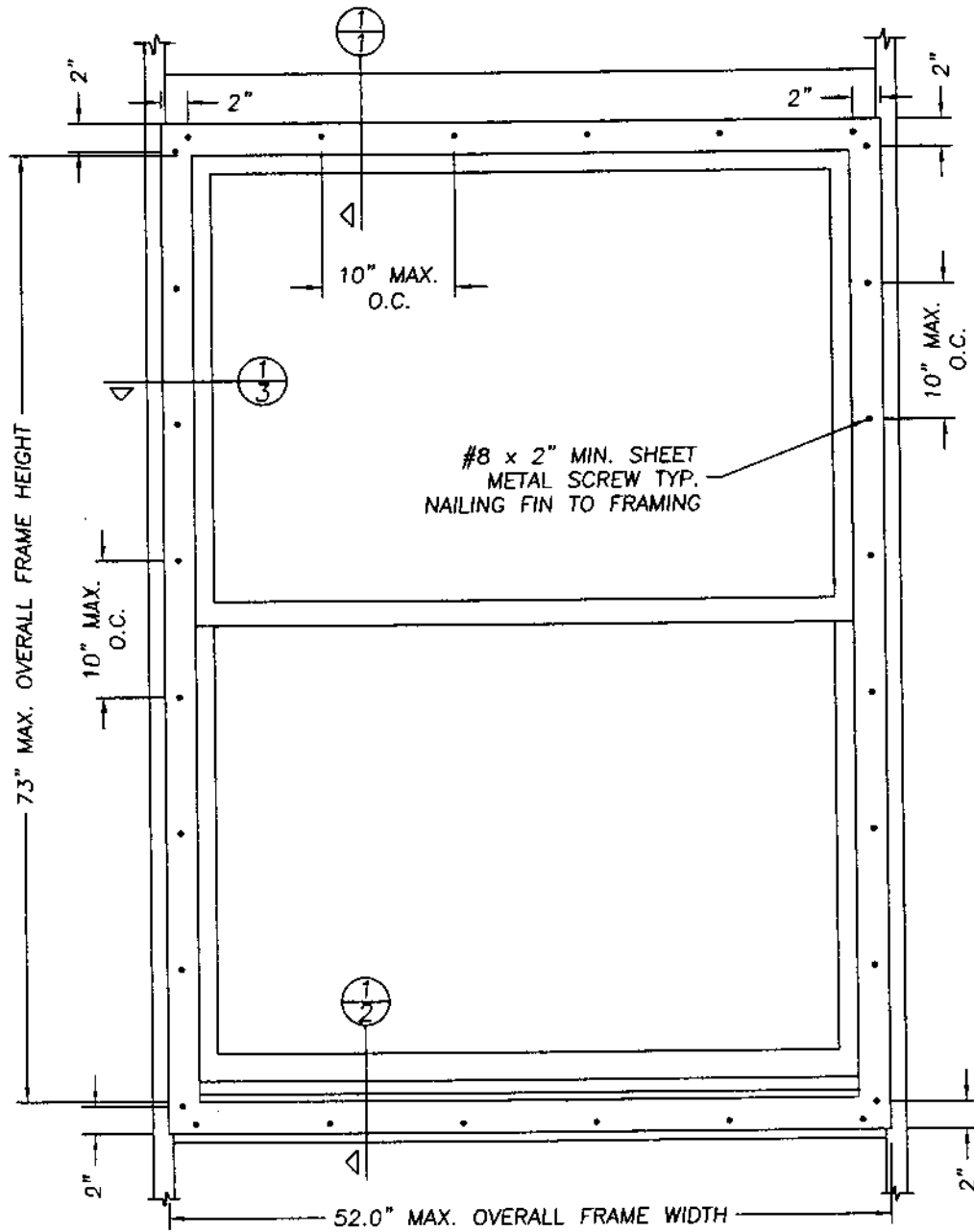
RW BUILDING
CONSULTANTS, INC.
813.659.9197

DATE: 09/23/02
SCALE: N.T.S.
DWG. BY: TJH
CHK. BY: RW
DRAWING NO.:
SL-403W-OC
SHEET 1 OF 2

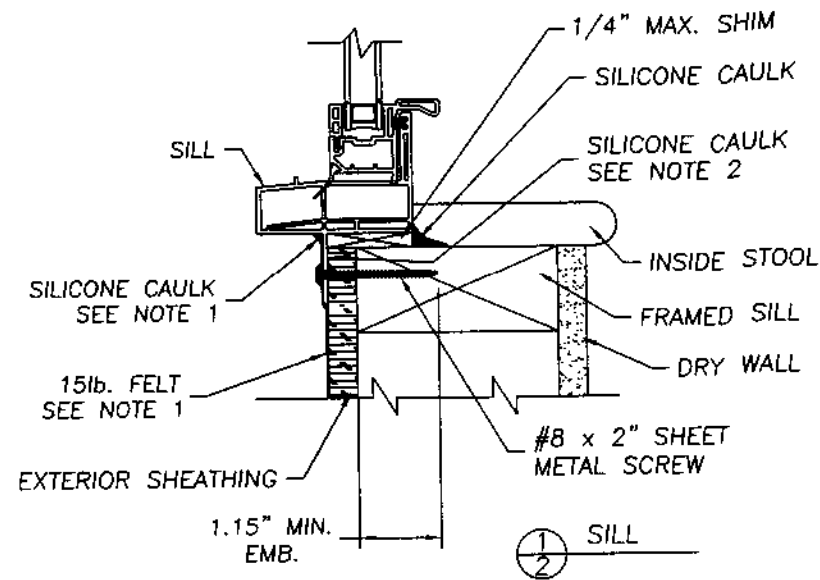
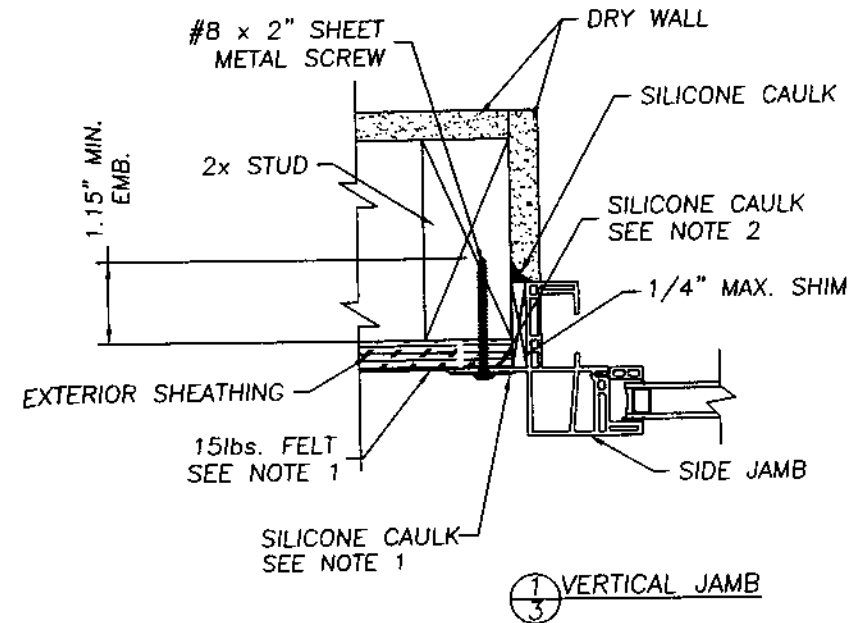
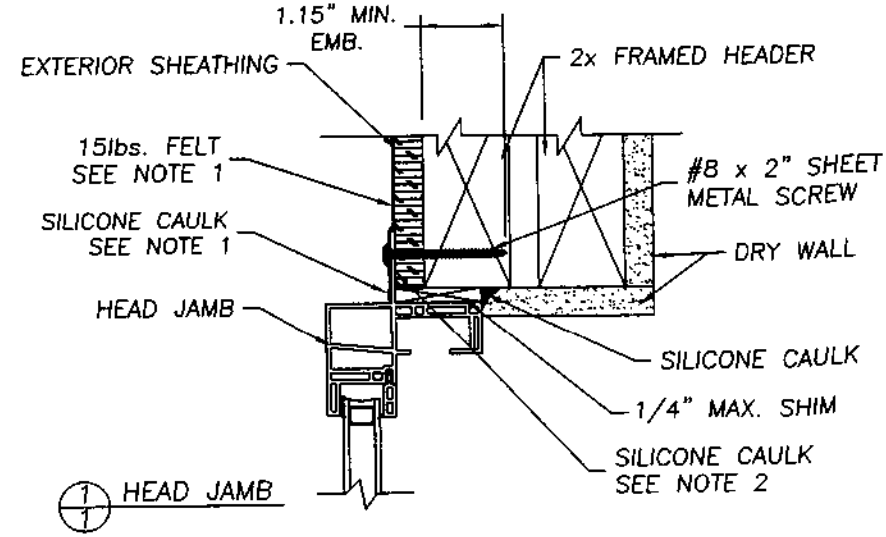
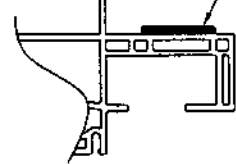
PRODUCT: SILVERLINE
EXTRUDED VINYL
SINGLE HUNG WINDOW
PART OR ASSEMBLY:
GENERAL NOTES &
TYPICAL ELEVATIONS

NO.	DATE	BY	REVISIONS

Silverline Building Products Corp.
One Silverline Drive
North Brunswick, NJ 08902
PH. 732.435.1000



APPLY A GENEROUS BEAD OF COMMERCIAL GRADE CONSTRUCTION ADHESIVE TO BOTH THE BACK OF THE FIN AND THE MAIN BODY OF THE WINDOW FRAME AROUND THE FULL PERIMETER AS SHOWN.



NOTE:

1. All loose edges of the felt paper must be sealed with silicone.
2. The full perimeter of the window nailing fin must have a heavy bead of coulk applied to the building side before the window is placed in the opening.

September 24, 2002

Lyndon F. Schmidt
 Florida P. E. No. 43409
 19506 French Lace Drive
 Lutz, FL 33558

Silverline Building Products Corp.
 One Silverline Drive
 North Brunswick, NJ 08902
 PH. 732.435.1000

ANCHORING CROSS SECTIONS
 FOR WOOD CONSTRUCTION
 SINGLE HUNG WITH NAILING FIN
 EXTRUDED VINYL WINDOW

RW BUILDING
 CONSULTANTS, INC.
 813.659.9197

DATE: 09/23/04

SCALE: N.T.S.

DWG. BY: TJH

CHK. BY: R.W.

DRAWING NO.:
 SL-403W-OC

SHEET 2 OF 2