

NATIONAL CERTIFIED TESTING LABORATORIES

1464 GEMINI BOULEVARD • ORLANDO, FLORIDA 32837
PHONE (407) 240-1356 • FAX (407) 240-8882

STRUCTURAL PERFORMANCE TEST REPORT

Report No: NCTL-210-2344-1
Test Date: 04/21/00
Report Date: 04/22/00

Client: Florida Extruders International Inc.
2540 Jewett Lane
Sanford, FL 32771-1600

Test Specimen: Florida Extruders International Incorporated's Series "Milestone 2000" Aluminum Prime Window (F-HC70) (6'0" x 6'0").

Test Method: AAMA/NWWDA 101/I.S. 2-97, "Voluntary Specifications for Aluminum, Vinyl (PVC), and Wood Windows and Sliding Glass Doors."

TEST SPECIMEN DESCRIPTION

General: The specimen tested a fixed lite aluminum prime window measuring 6'0" wide by 6'0" high overall. Frame members were not thermally broken. The frame was of double screw (# 6 x 5/8") pan head coped corner construction. The frame was flush mounted to the test buck using twenty (20) total screws; four (4) (# 8 x 1) in head and eight (8) (# 8 x 2") pan head screws used; four (4) in each jamb.

Glazing: The fixed lite was interior glazed using 1/4" thick annealed glass with a silicone bedding and a snap-in rigid vinyl glazing stop.

Weatherstrip: No weatherstrip employed.

Weeps: No weeps employed.

Interior & Exterior Surface Finish: White painted aluminum.

Sealant: Frame corners were sealed with a small-joint sealant.

Screen: No insect screen employed.

*Ray Parker
Director*

TEST RESULTS

<u>Par. No.</u>	<u>Title Of Test</u>	<u>Measured</u>	<u>Allowed</u>
2.1.2	Air Infiltration - ASTM E283 1.57 psf (25 mph) 6.24 psf (50 mph)	0.00 cfm/ft ² 0.02 cfm/ft ²	----- 0.30 cfm/ft ²
2.1.3	* Water Resistance - ASTM E547 5.0 gph/ft ² WTP = 3.00 psf	No Leakage	No Leakage
2.1.4.2	Uniform Load Structural - ASTM E330 30.0 psf Exterior 30.0 psf Interior	0.004" 0.006"	0.288" 0.288"

OPTIONAL PERFORMANCE

4.3	Water Resistance - ASTM E547 5.0 gph/ft ² WTP = 20.0 psf	No Leakage	No Leakage
4.4.2	Uniform Load Structural - ASTM E330 105.5 psf Exterior 105.5 psf Interior	0.011" 0.016"	0.288" 0.288"

TEST COMPLETED 04/21/00

This test specimen meets (or exceeds) the performance criteria levels specified in Table 2.1 of AAMA/ NWWDA 101/I.S. 2-97 for air infiltration. The listed results were secured by using the designated test methods and indicate compliance with the performance requirements of the referenced specification paragraphs for the F-HC70 6'0" x 6'0" product designation.

Detailed drawings were available for laboratory records and compared to the test specimen at the time of this report. A copy of this report along with representative sections of the test specimen will be retained by NCTL for a period of four (4) years. The results obtained apply only to the specimen tested. No conclusions of any kind regarding the adequacy or inadequacy of the glass in the test specimen may be drawn from this test. This report does not constitute certification of the product which may only be granted by a certification program validator.

NATIONAL CERTIFIED TESTING LABORATORIES

MICHAEL E. LANE
Division Manager

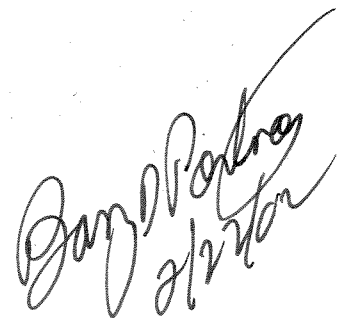
David P. ...

APPENDIX A
Forced Entry Resistance Test Results

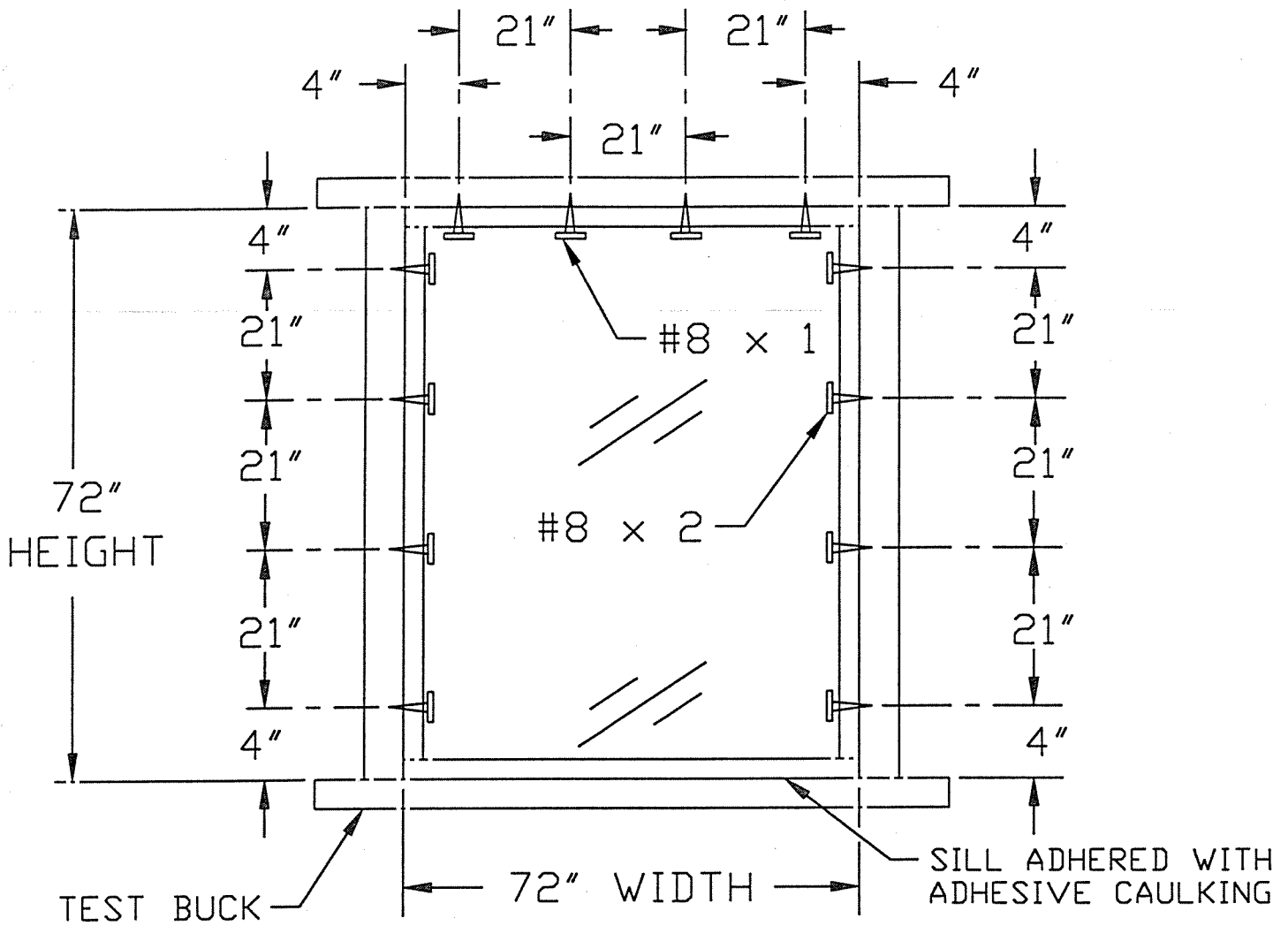
Test Method: ASTM F588-85 (94), "Standard Test Method for Resistance of Window Assemblies to Forced Entry, Excluding Glazing."

TEST RESULTS

<u>Paragraph No.</u>	<u>Loads</u>	<u>Duration</u>	<u>Measured</u>	<u>Allowed</u>
7.0 - Hand Manipulation		5 Minutes	No Entry	No Entry
8.0 - Hand Manipulation		5 Minutes	No Entry	No Entry
9.4.1 - Test 19	150 lbf	2 Minutes	No Entry	No Entry
9.1.1.8				
7.0 - Hand Manipulation		5 Minutes	No Entry	No Entry
8.0 - Tool Manipulation		5 Minutes	No Entry	No Entry



FASTENER LOCATIONS



Dimensions shown from buck.

The test specimen was mounted to the test buck using twelve (12) screws total, (4) #8 x 1" in the head and (8) #8 x 2" in the jambs, located as shown.

⏏ - DENOTES SCREW

*Barbara Parline
Taylor*

pwfast3

NATIONAL CERTIFIED
TESTING LABORATORIES

JOB NO. : NCTL-210-2344-1

COMPANY : FLORIDA EXTRUDERS

TEST DATE : 4/23/00