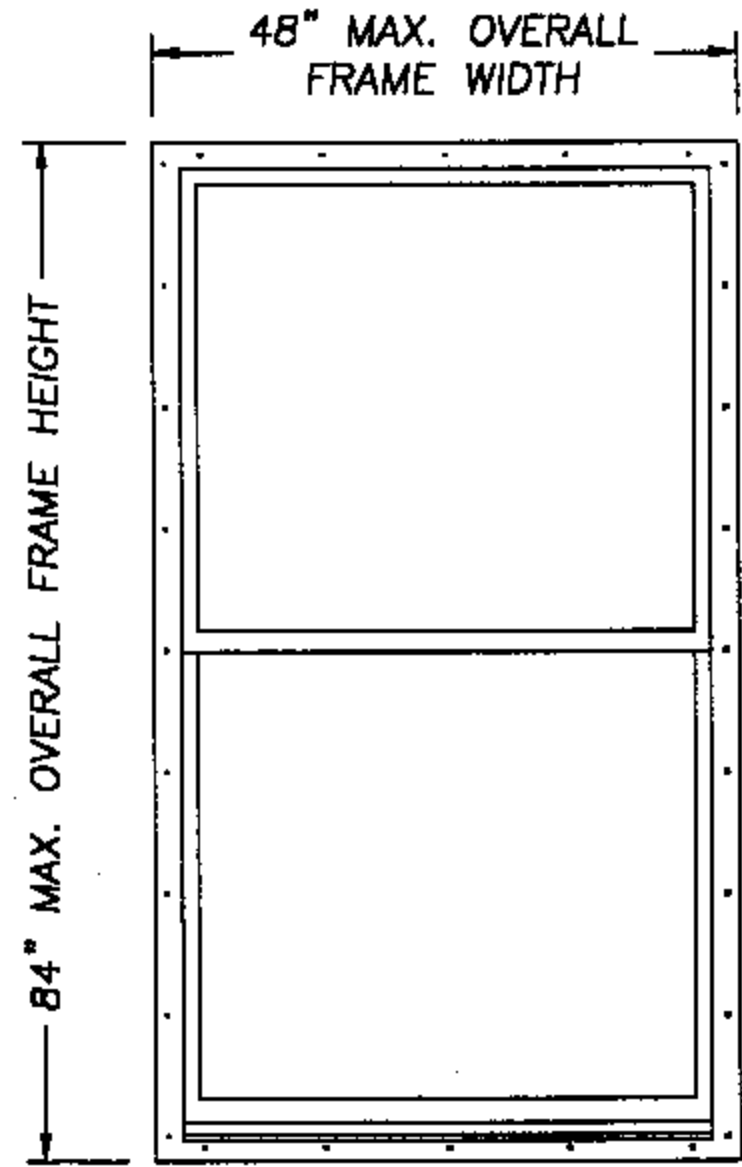


# Silverline Building Products Corp.

SILVERLINE SERIES 2900 MODEL 2960

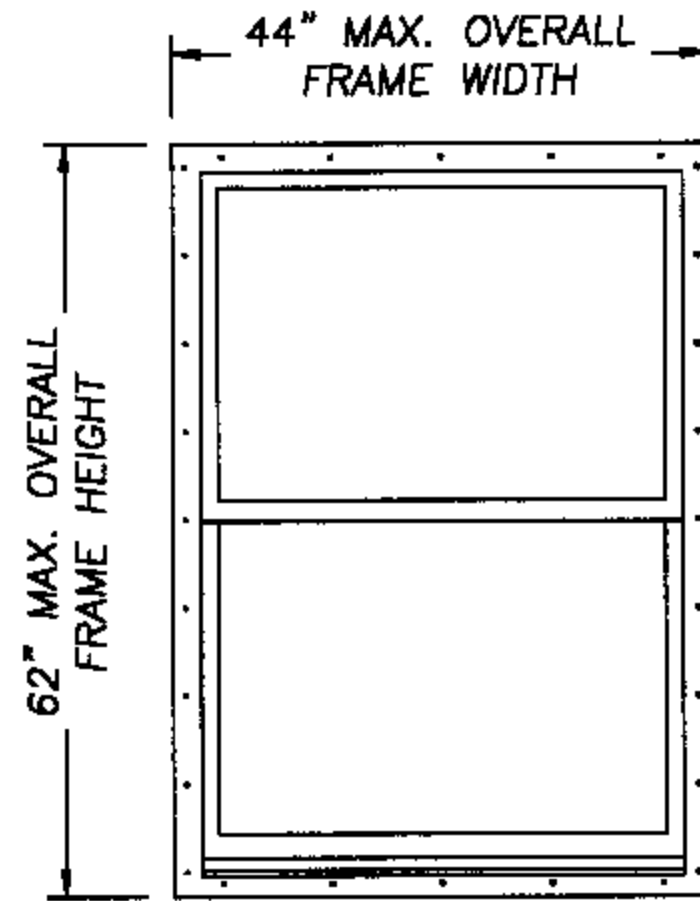
EXTRUDED VINYL SINGLE HUNG WINDOWS WITH NAILING FIN



$\frac{0}{X}$

DESIGN PRESSURE RATING
POS. 30.0    NEG. 30.0

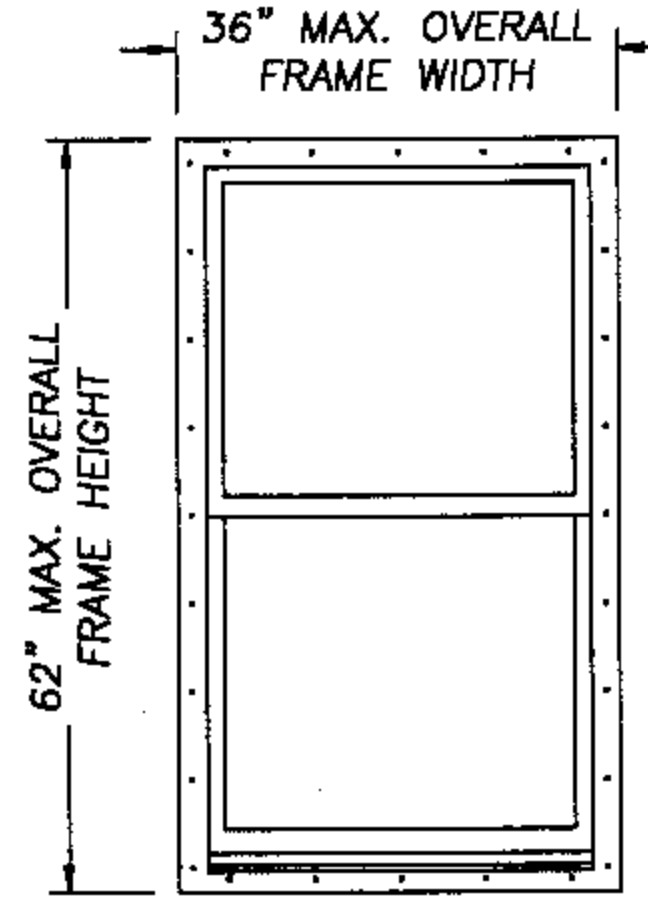
GLASS TABLE
5/8" INSULATED GLASS
1/8" ANN. - AIR SPACE - 1/8" ANN.



$\frac{0}{X}$

DESIGN PRESSURE RATING
POS. 45.0    NEG. 45.0

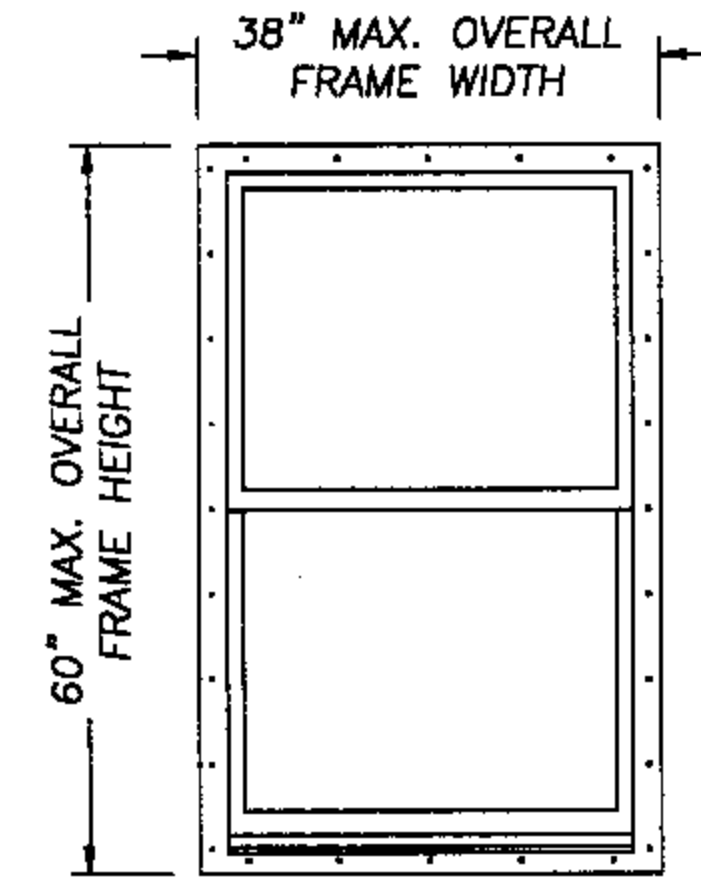
GLASS TABLE
5/8" INSULATED GLASS
1/8" ANN. - AIR SPACE - 1/8" ANN.



$\frac{0}{X}$

DESIGN PRESSURE RATING
POS. 50.0    NEG. 50.0

GLASS TABLE
5/8" INSULATED GLASS
1/8" ANN. - AIR SPACE - 1/8" ANN.



$\frac{0}{X}$

DESIGN PRESSURE RATING
POS. 50.0    NEG. 50.0

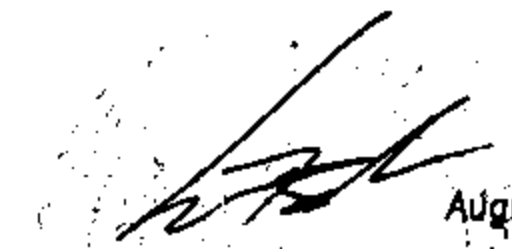
GLASS TABLE
5/8" INSULATED GLASS
1/8" ANN. - AIR SPACE - 1/8" ANN.

### GENERAL NOTES

1. THIS PRODUCT IS DESIGNED TO COMPLY WITH THE FLORIDA BUILDING CODE.
2. PRODUCT ANCHORS SHALL BE AS LISTED AND SPACED AS SHOWN ON DETAILS.
3. WHEN THIS PRODUCT IS USED IN AN AREA REQUIRING WINDBORNE DEBRIS PROTECTION, FLORIDA BUILDING CODE APPROVED IMPACT RESISTANT SHUTTERS ARE REQUIRED.
4. ANCHORING CROSS SECTION FOR 2X STUD CONSTRUCTION SEE SHEET 2 OF 2.

### PRODUCT DESCRIPTION

1. VINYL SINGLE HUNG WINDOW WITH MITERED AND WELDED CORNERS.
2. THE HEAD AND SIDE JAMBS ARE EXTRUDED VINYL WITH AN EXTERIOR WALL THICKNESS OF 0.070" +/- 0.008".
3. ALL ACTIVE SASH MEMBERS REINFORCED WITH SOLID ALUMINUM BAR STOCK.
4. THE FIXED MEETING RAIL UTILIZES A ROLLED FORMED STEEL REINFORCEMENT.
5. ALL FRAME MEMBERS HAVE AN INTEGRAL NAILING FIN.

  
 August 21, 2002  
 Lyndon F. Schmidt  
 Florida P. E. No. 43409  
 19506 French Lace Drive    Lutz, FL 33558

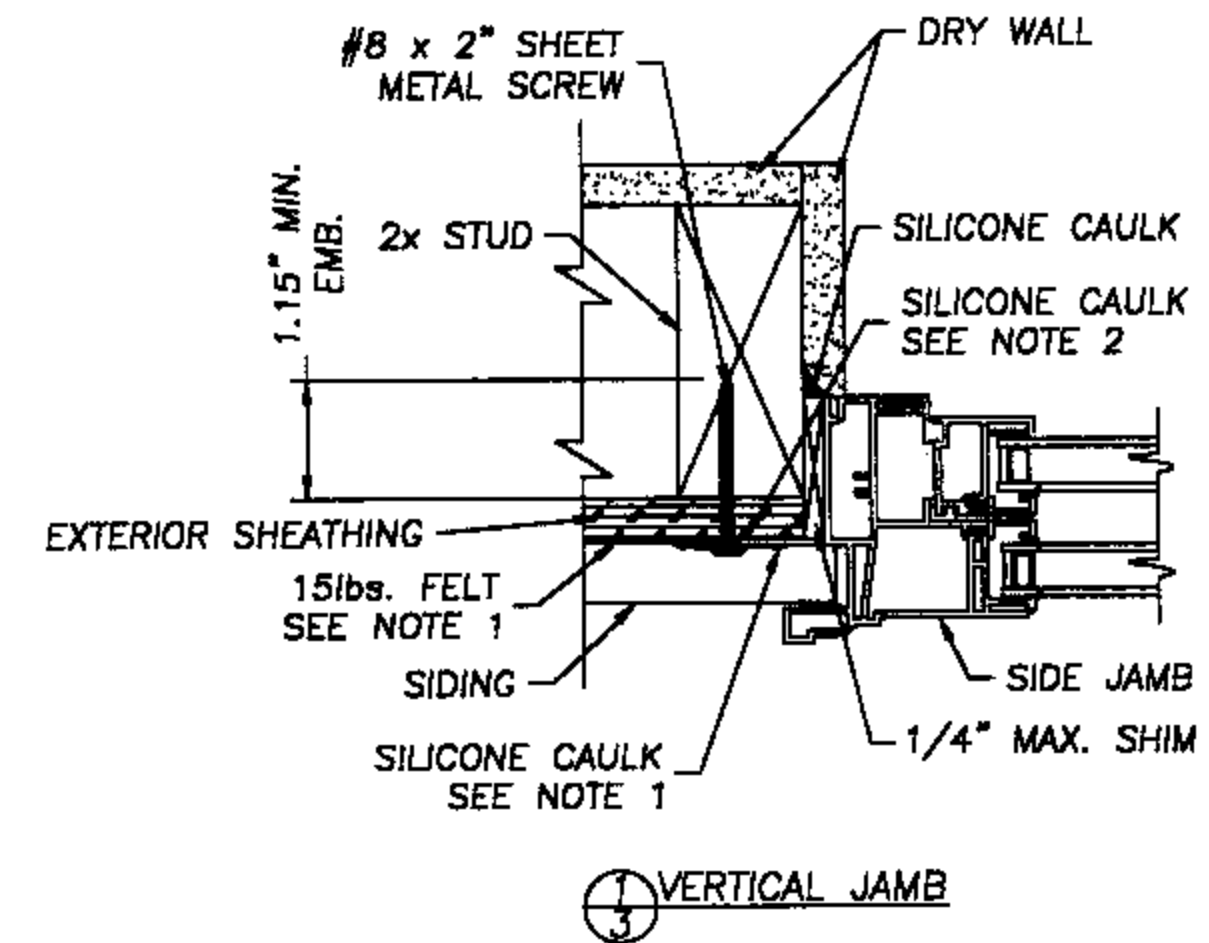
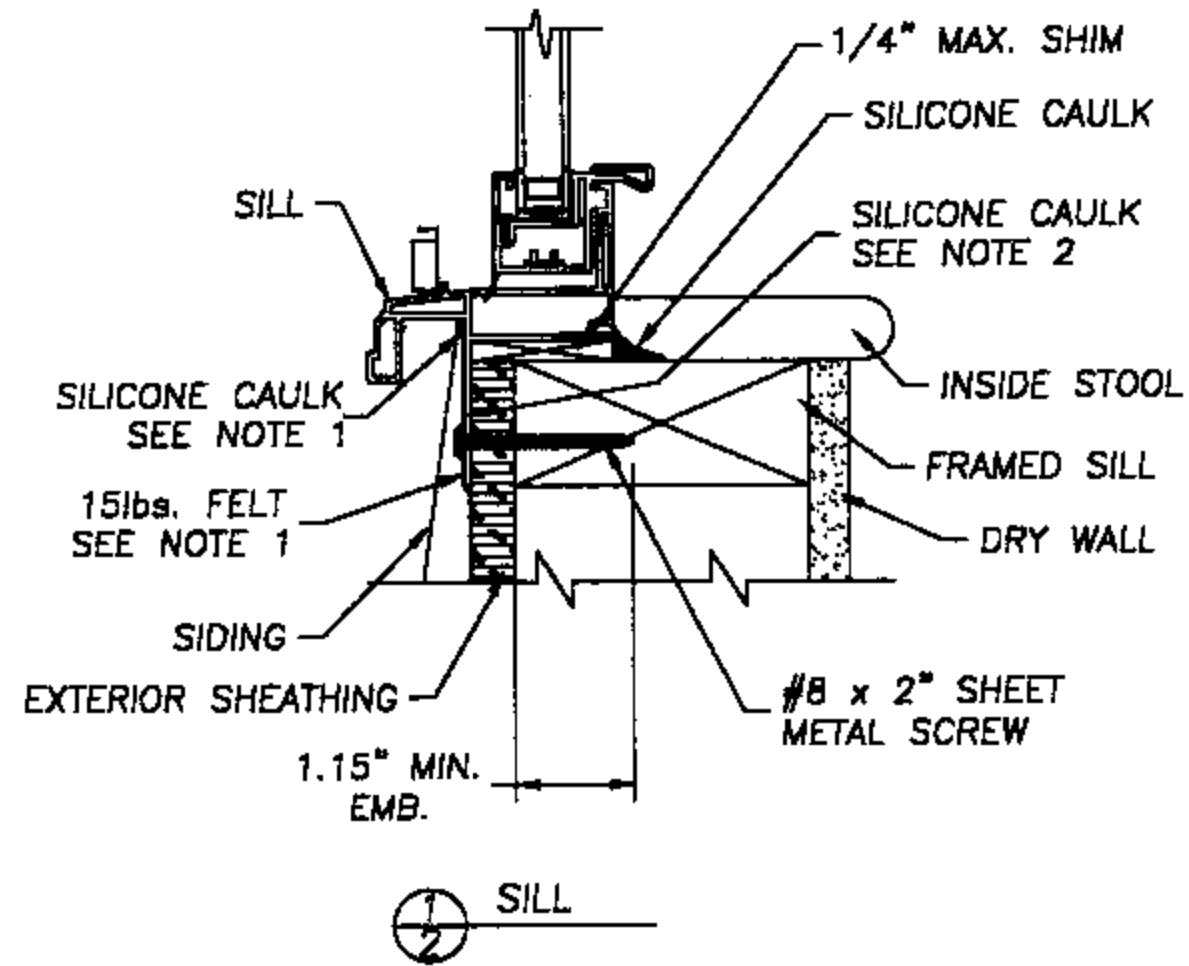
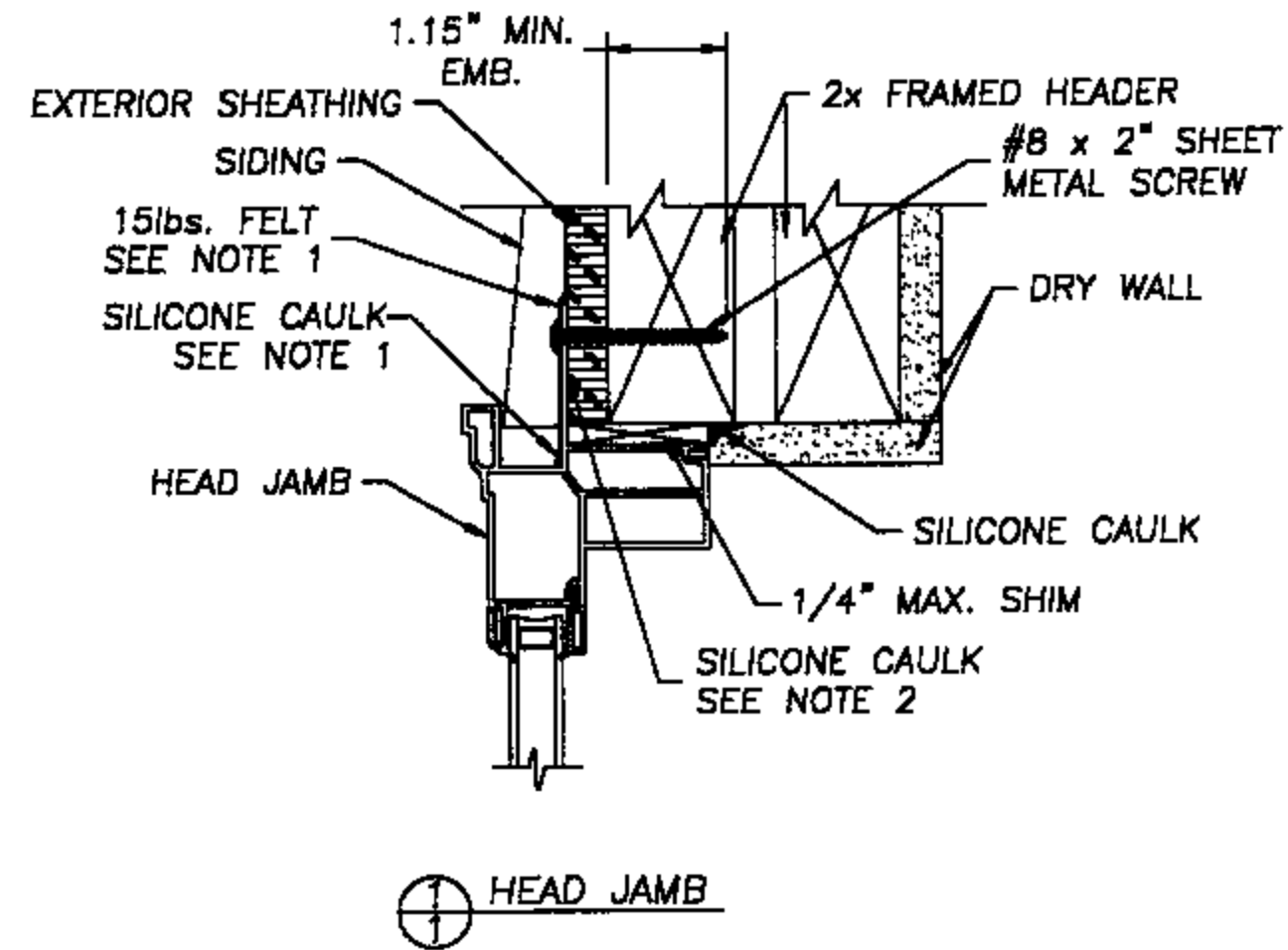
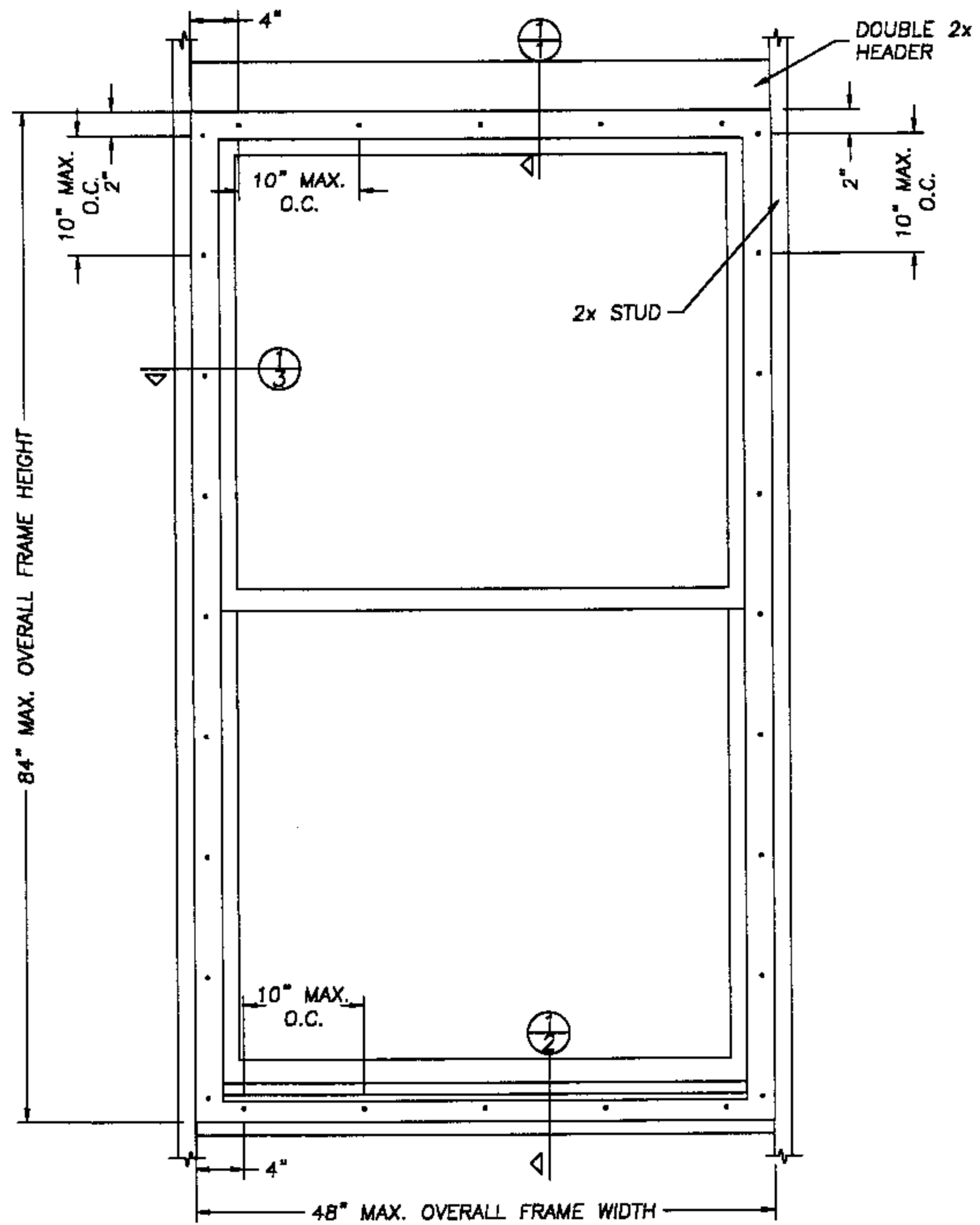
**Silverline Building Products Corp.**  
 One Silverline Drive  
 North Brunswick, NJ 08902  
 PH. 732.435.1000

PRODUCT: SILVERLINE  
 EXTRUDED VINYL SINGLE  
 HUNG WINDOW W/NAILING FIN  
 PART OR ASSEMBLY:  
 GENERAL NOTES &  
 TYPICAL ELEVATIONS

NO.	DATE	REVISIONS	BY

  
 RW BUILDING  
 CONSULTANTS, INC.  
 813.659.9197

DATE: 8/19/02  
 SCALE: N.T.S.  
 DWG. BY: WLN  
 CHK. BY: RW  
 DRAWING NO.:  
 SL-411-OC  
 SHEET 1 OF 2



**NOTE:**

1. 15lbs. felt must be used as a water barrier. The felt must cover the nailing fin and anchor screw heads. All loose edges of the felt paper must be sealed with silicone caulk.
2. The full perimeter of the window nailing fin must have a heavy bead of caulk applied to the building side before the window is placed in the opening.

August 21, 2002

Lyndon F. Schmidt  
 Florida P. E. No. 43409  
 19506 French Lace Drive  
 Lutz, FL 33558

Silverline Building Products Corp.  
 One Silverline Drive  
 North Brunswick, NJ 08902  
 PH. 732.435.1000

ANCHORING CROSS SECTIONS  
 FOR 2X STUD CONSTRUCTION  
 SINGLE HUNG VINYL  
 WINDOW W/ NAILING FIN

**RW** BUILDING  
 CONSULTANTS, INC.  
 813.659.9197

8/19/02

SCALE: N.T.S.

DWG. BY: WLN

CHK. BY: R.W.

DRAWING NO.:  
 SL-411-OC

SHEET 2 OF 2