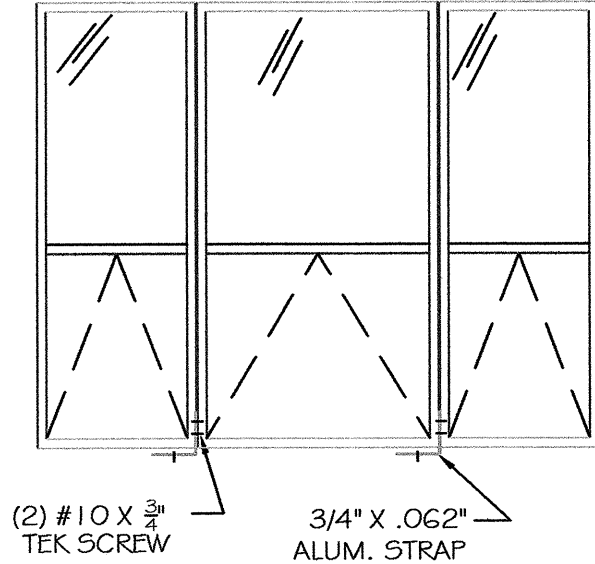
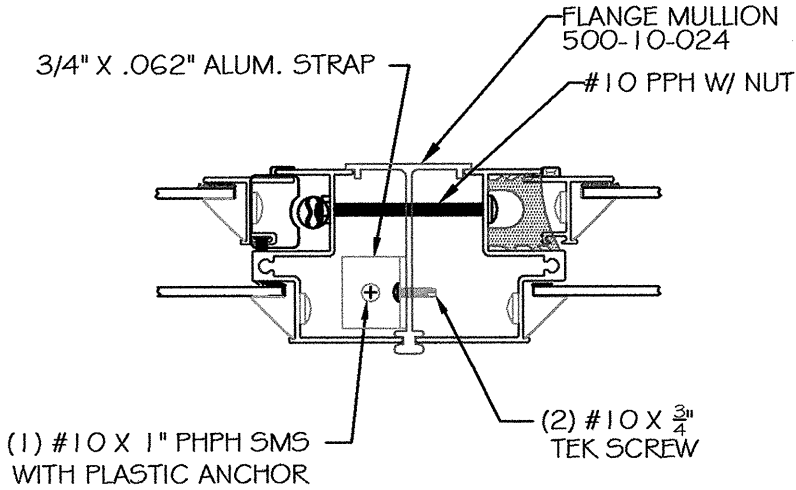
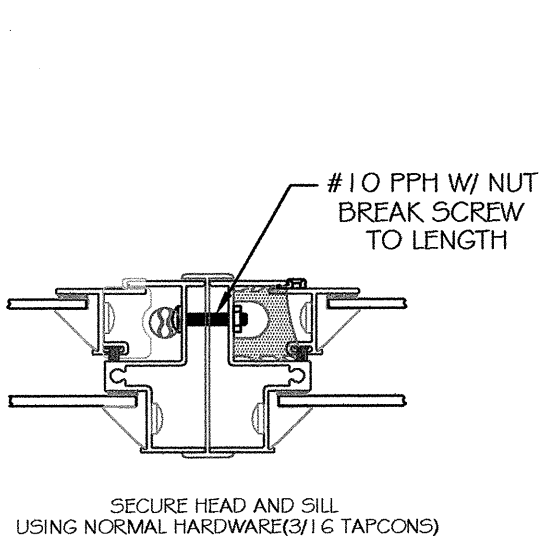


**SERIES PA-55 I SINGLE HUNG WINDOW**

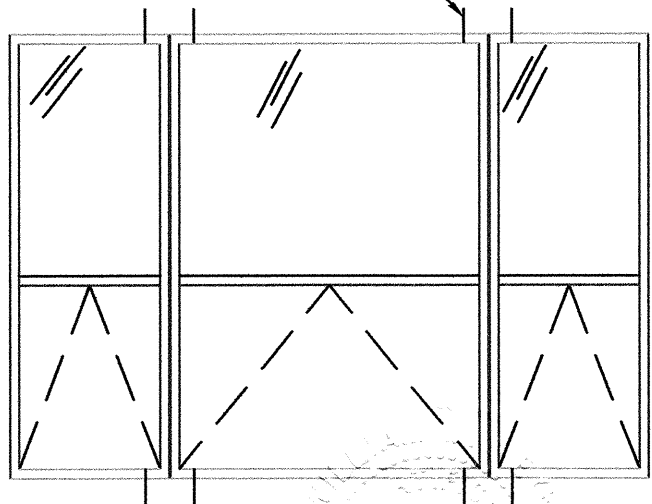


STANDARD T-MULL INSTALLATION



STANDARD DUTY I-MULL INSTALLATION  
FOR FIN TYPE ASSEMBLY ONLY

3/16" DIA. TAPCON  
(2) PER END TYPICAL



RUBI. E. FISHER  
WM. M. MEYERS, P.E.  
Consulting Engineers  
9301 N.E. 8th Ave. C-300  
Miami Shores, FL 33138  
(305) 758-3117 567-4006 Fax 362-6282

*Wm. M. Meyers*  
FLA. 18755  
STRUCTURAL  
Date: 05/13/07