

ALT. FIN ATTACHMENT  
UNDER SHEATHING

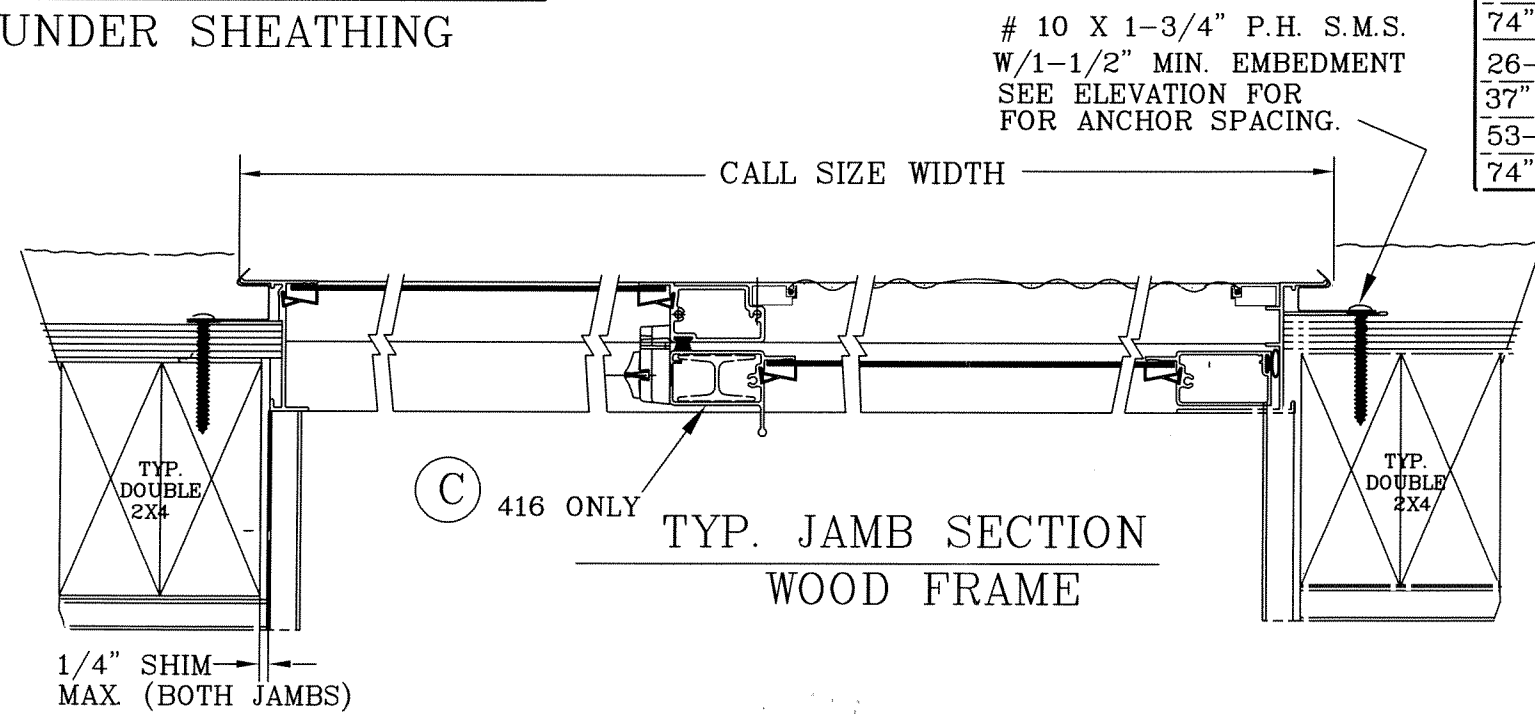
- NOTES:
- 1) SHIM AS REQUIRED, MAX SHIM STACK 1/4".
  - 2) ALL ALUMINUM EXTRUSIONS ARE ALLOY 6063-T5 OR T6 WITH TYPICAL WALL THICKNESS OF 0.62".
  - 3) USE HIGH QUALITY CAULK BEHIND WINDOW FLANGE.
  - 4) GLASS THICKNESS BASED ON TABLE E1300 GLASS CHARTS, AND MAY VARY DEPENDING ON SIZE.
  - 5) THE RESPONSIBILITY FOR SELECTION OF NORANDEX PRODUCTS TO MEET ANY APPLICABLE LOCAL LAWS, BUILDING CODES, ORDINANCES OR OTHER SAFETY REQUIREMENTS REST SOLELY WITH THE ARCHITECT, BUILDING OWNER OR CONTRACTOR.
  - 6) A PRESSURE TREATED WOODEN BUCK OR MARBLE SILL SHALL BE ADDED UNDER THE PRODUCT TO FULLY SUPPORT UNIT. THIS SUPPORT SHALL BE FIRMLY ATTACHED INTO MASONRY AND SUPPORT THE PRODUCT OVER ITS FULL LENGTH (SUPPLIED BY OTHERS).
  - 7) CONCRETE COMPRESSIVE STRENGTH = 3,000 PSI AT 28 DAYS.

WINDOW DIMENSIONS		FASTENER SCHEDULE			
WIDTH (INCHES)	HEIGHT (INCHES)	NO. ANCHORS HEAD/SILL		NO. ANCHORS JAMB	
		35 (PSF)	45 (PSF)	35 (PSF)	45 (PSF)
26-1/2"	26"	2	2	2	2
37"		2	2	2	2
53-1/8"		3	3	2	2
74"		3	4	2	2
26-1/2"	38-1/4"	2	2	3	3
37"		2	2	3	3
53-1/8"		3	3	3	3
74"		3	4	3	3
26-1/2"	50-5/8"	2	2	3	3
37"		2	2	3	3
53-1/8"		3	3	3	3
74"		3	4	3	3
26-1/2"	63"	2	2	3	4
37"		2	2	3	4
53-1/8"		3	3	3	4
74"		3	4	3	4
26-1/2"	72"	2	2	4	5
37"		2	2	4	5
53-1/8"		3	3	4	5
74"		3	4	4	5

CALL SIZE HEIGHT

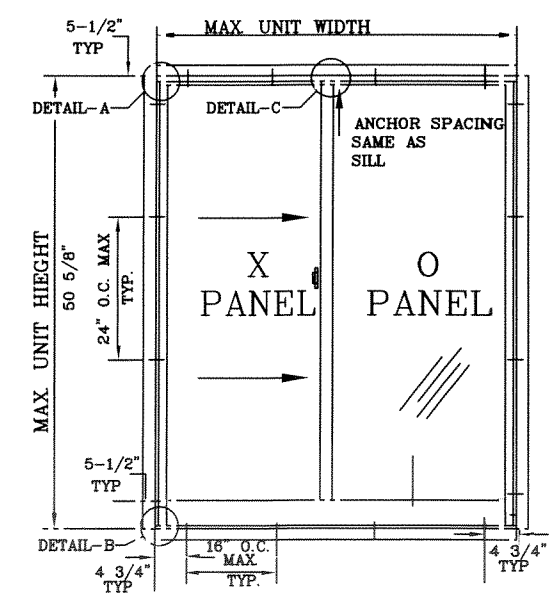
(B)

HEADER AND SILL SECTION  
WOOD FRAME



(C) 416 ONLY  
TYP. JAMB SECTION  
WOOD FRAME

*Charles A. Pagen*  
CHARLES A. PAGEN, P.E.  
FL. REG. ENG. # 49121  
DATE: 3/27/02



438/416 GLIDER  
INSTALLATION DETAIL  
OX / XO AND  
FASTENER SCHEDULE

SERIES: 438/416  
ALUMINUM GLIDER  
NORANDEX  
4505 30th STREET WEST  
BRADENTON, FL. 34207  
PHONE: (941) 755-1591

NO.	DATE	REVISIONS DESCRIPTION

DATE: 12/25/01  
SCALE: N.T.S.  
DWG. BY: J.R.M.  
CHK. BY: RLK  
DWG. NO.: FBC-018