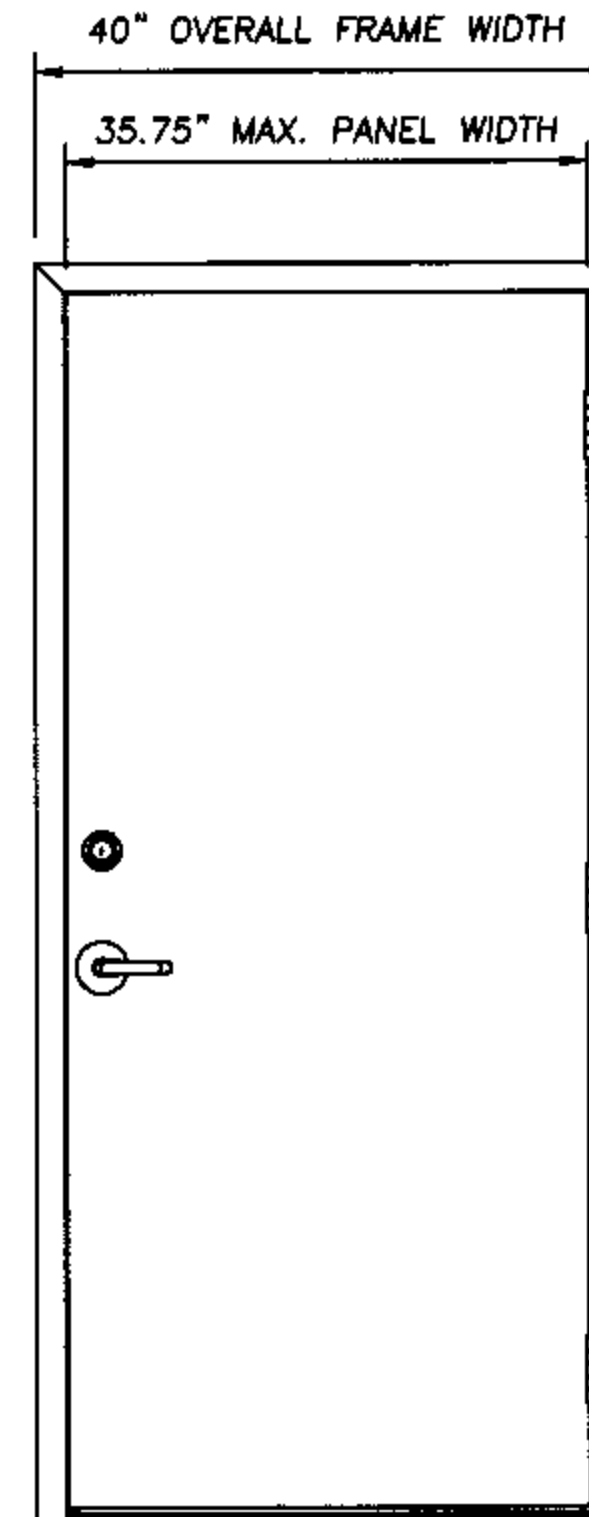
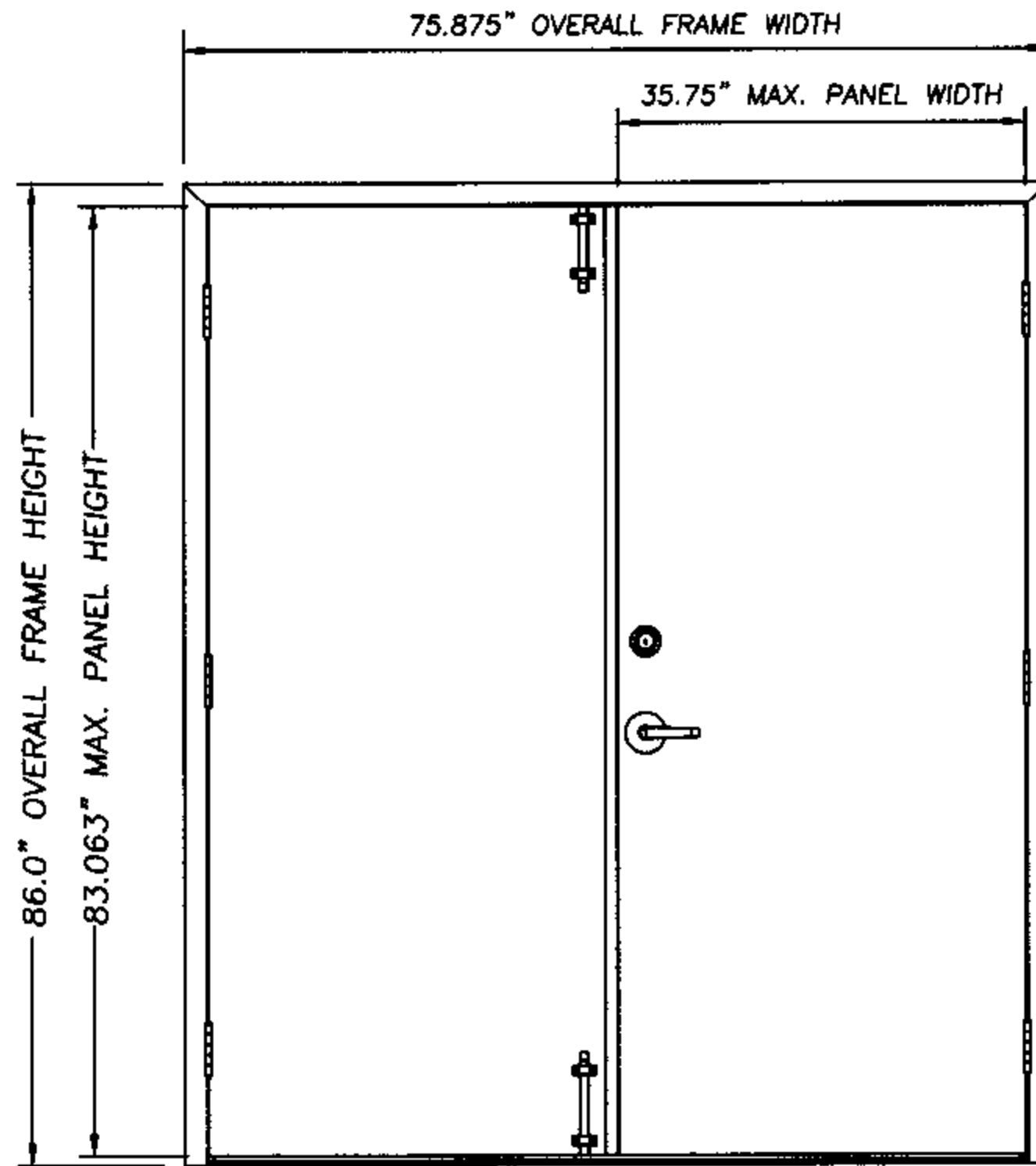


MESKER

OUTSWING 16ga. FLUSH OPAQUE COMMERCIAL STEEL DOOR
IN A 16ga. HOLLOW METAL FRAME



X X

DESIGN PRESSURE RATING
OUT-SWING
POS. 80.0 NEG. 80.0
CYLINDRICAL OR MORTISE LOCKS

X

DESIGN PRESSURE RATING
OUT-SWING
POS. 90.0 NEG. 90.0
CYLINDRICAL OR MORTISE LOCKS

GENERAL NOTES

1. THIS PRODUCT IS DESIGNED TO COMPLY WITH THE FLORIDA BUILDING CODE.
2. PRODUCT ANCHORS SHALL BE AS LISTED AND SPACED AS SHOWN ON DETAILS.
3. THE MESKER STEEL DOOR MEETS THE REQUIREMENTS OF SECTION 1626.1 OF THE FLORIDA BUILDING CODE AND DOES NOT REQUIRE ANY ADDITIONAL PROTECTION WHEN USED IN WINDBORNE DEBRIS AREAS (PANIC HARDWARE DOES NOT MEET WINDBORNE DEBRIS CRITERIA AND REQUIRES APPROVED EXTERNAL PROTECTION).
4. FOR OUTSWING NEW MASONRY ANCHORING SEE SHEET 2 OF 3.
5. FOR OUTSWING EXISTING MASONRY ANCHORING SEE SHEET 3 OF 3.

PRODUCT DESCRIPTION

1. THE DOOR FACE SHEETS ARE 16 GA. (0.0565") MIN. THICKNESS STEEL.
2. THE FACE SHEETS EACH HAVE NINETY DEGREE LEGS FORMING THE INTERLOCKING STILES AND RAILS.
3. THE INTERIOR DOOR CAVITY IS EXPANDED POLYSTYRENE.
4. THE FRAME IS 16 GA. (0.0565") MIN. THICKNESS STEEL MITERED, BUTTED AND SEAM WELDED.
5. THE THRESHOLD IS AN ALUMINUM BUMP FACE TYPE.
6. INACTIVE DOOR REQUIRES SURFACE BOLTS TOP AND BOTTOM. (8.0" HAGER #275D AT TOP, 12.0" HAGER #276 AT BOTTOM)

Lyndon F. Schmidt
JUNE 4, 2002

Lyndon F. Schmidt
Florida P. E. No. 43409
19506 French Lace Drive Lutz, FL 33558

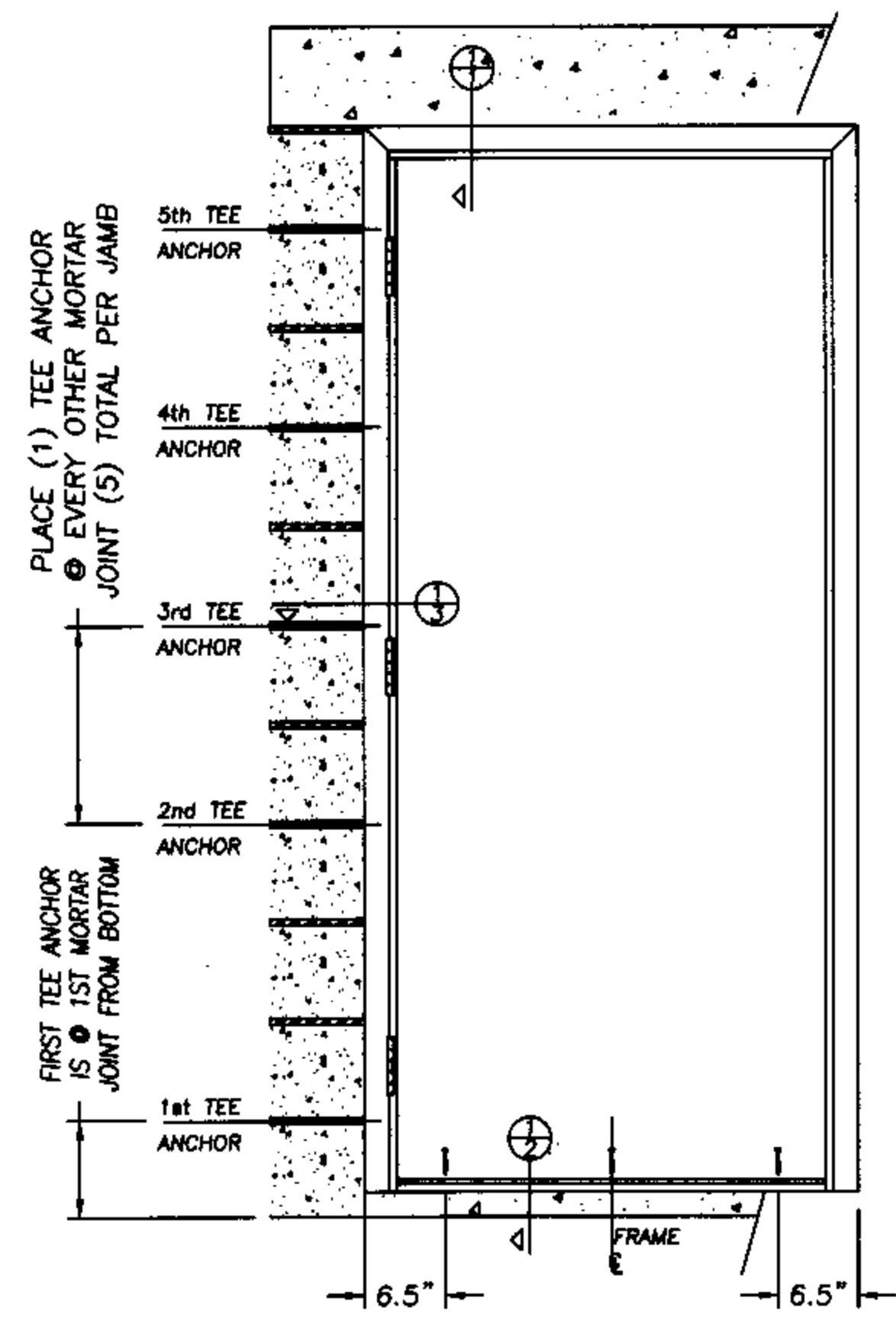
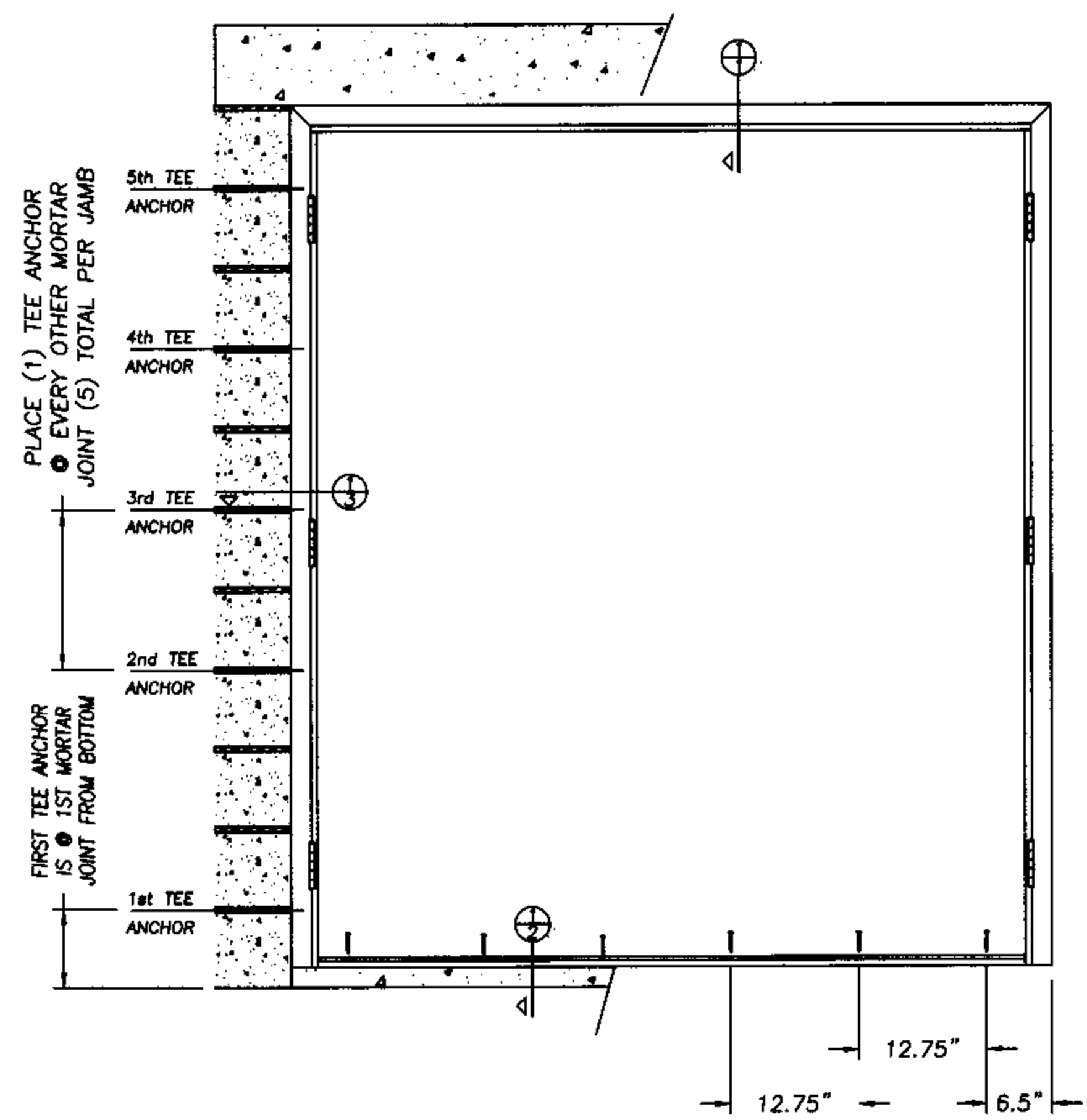
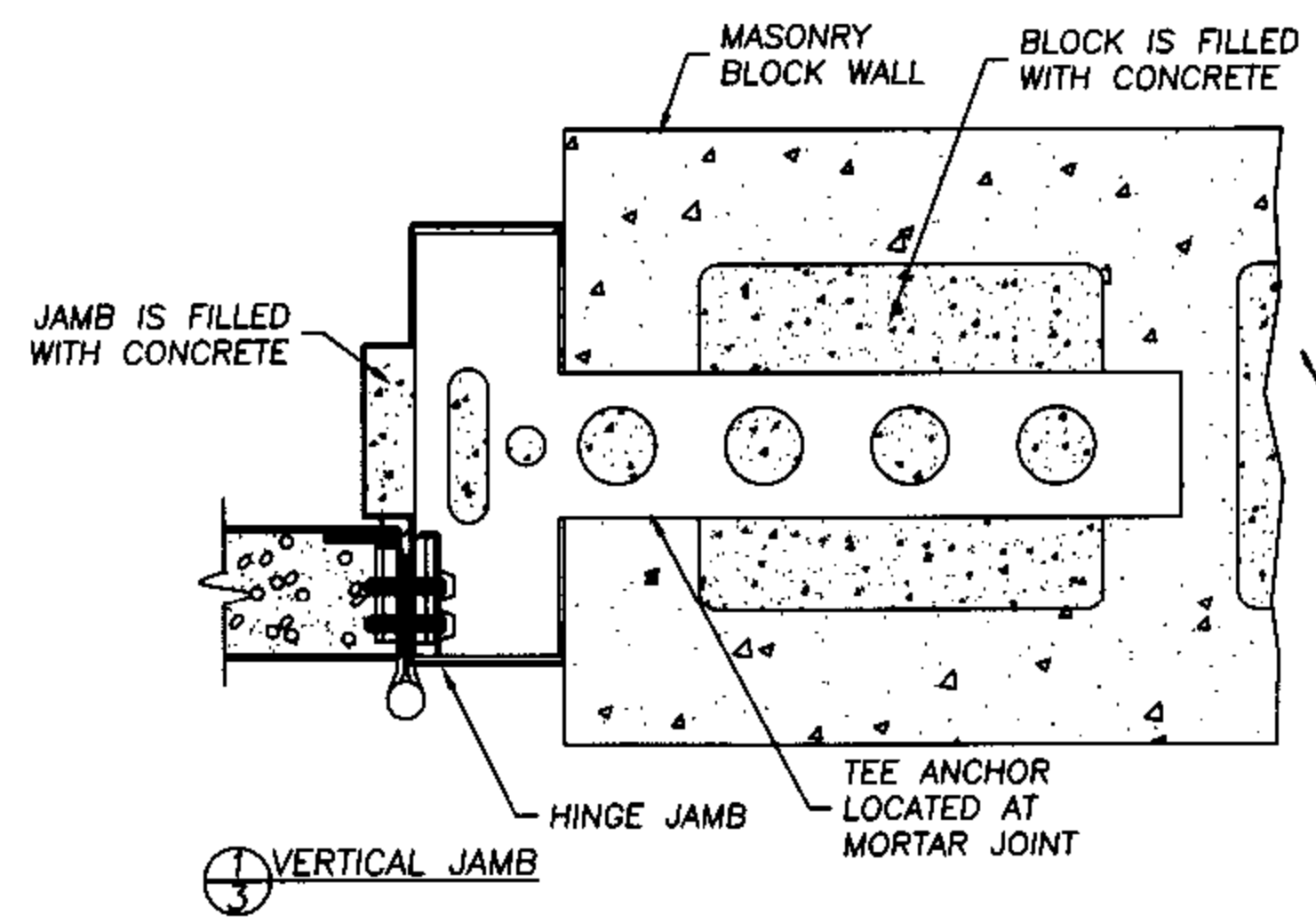
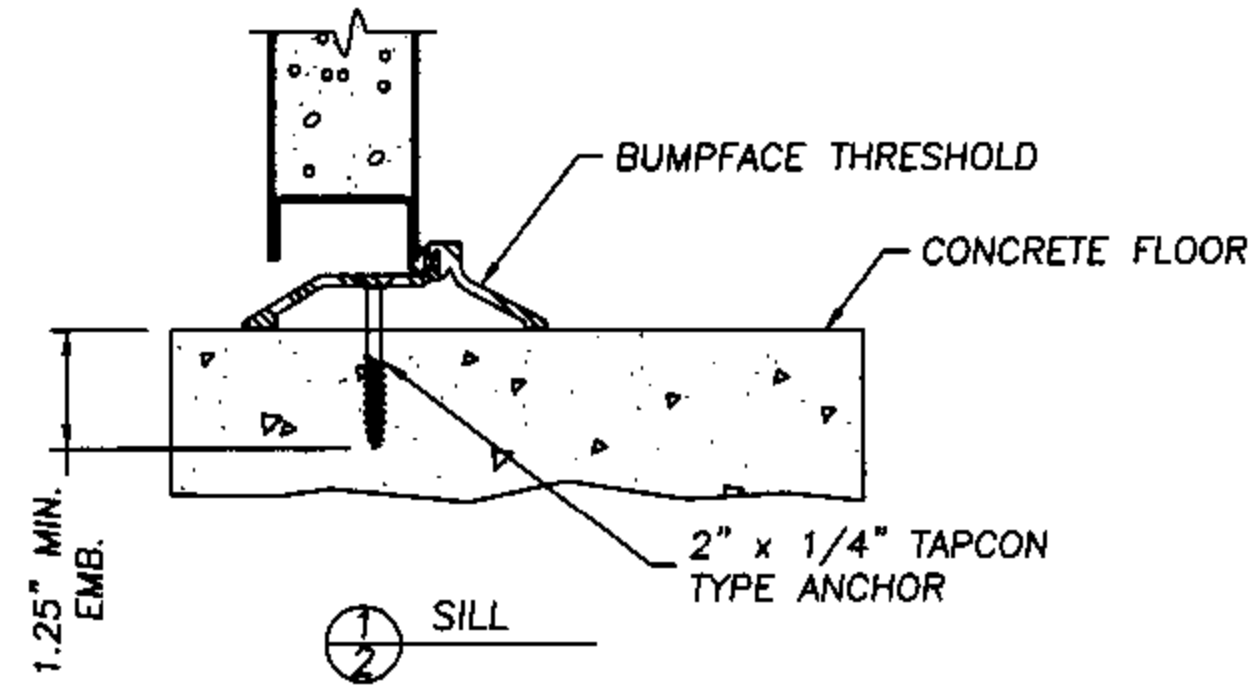
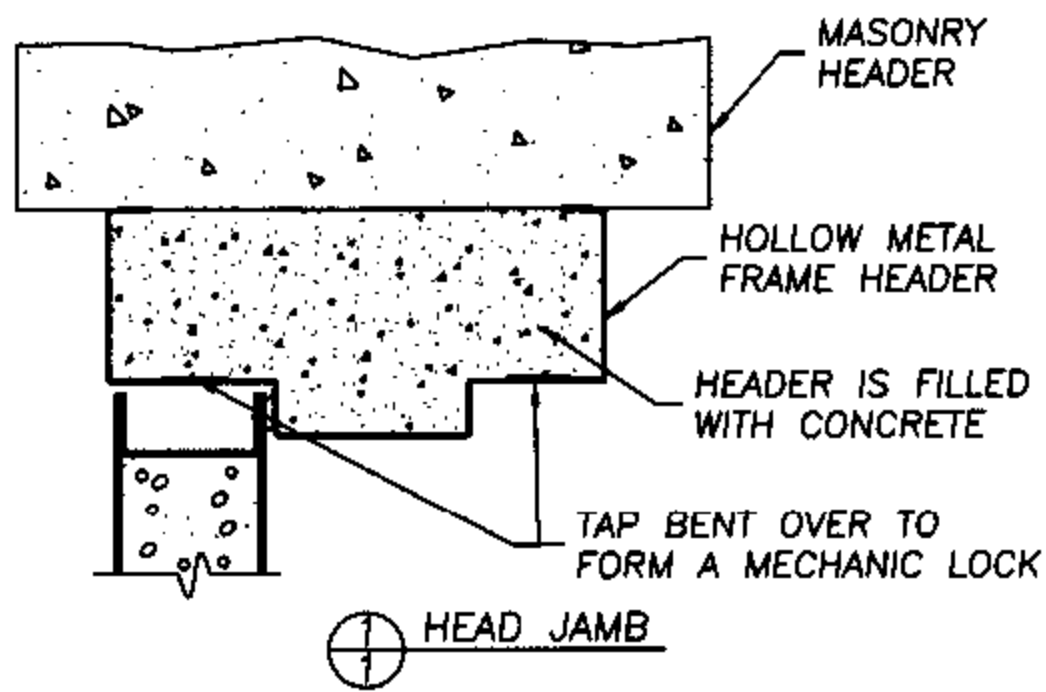
MESKER
SINCE 1884 THE FIRST DOOR AND STILL THE FIRST DOOR
3440 Starwood Blvd.
Huntsville, AL 35811-9021
Phone: 256-851-6670 Fax: 256-851-7886

PRODUCT:
COMMERCIAL STEEL DOOR
& HOLLOW METAL FRAME
PART OR ASSEMBLY:
GENERAL NOTES &
TYPICAL ELEVATIONS

NO.	DATE	BY	REVISIONS

RW BUILDING
CONSULTANTS, INC.
813.659.9197

DATE: 6/04/02
SCALE: NTS
DWG. BY: TJH
CHK. BY: RW
DRAWING NO.:
MK-101-OC
SHEET 1 of 3



[Handwritten Signature]

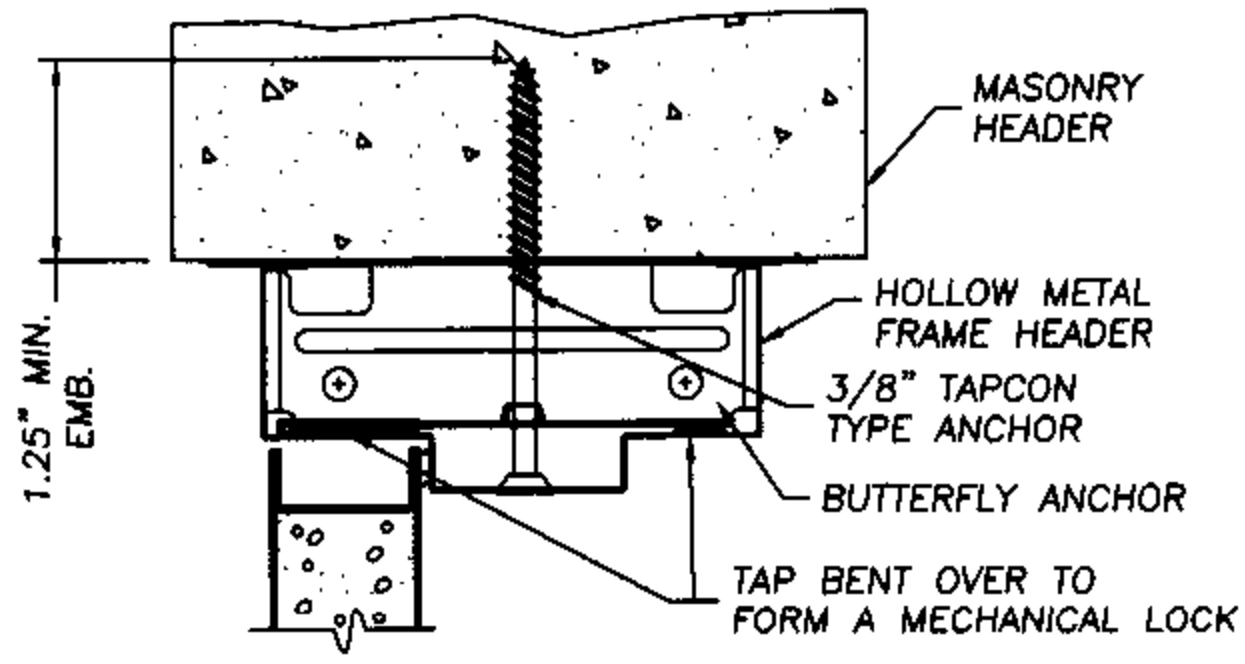
JUNE 4, 2002
Lyndon F. Schmidt
Florida P. E. No. 43409
19506 French Lace Drive
Lutz, FL 33558

MESKER
SINCE 1964 THE FIRST DOOR AND STILL THE FIRST DOOR
2440 Starwood Blvd
Huntsville, AL 35811-9021
Phone: 256-851-8870 Fax: 256-851-7866

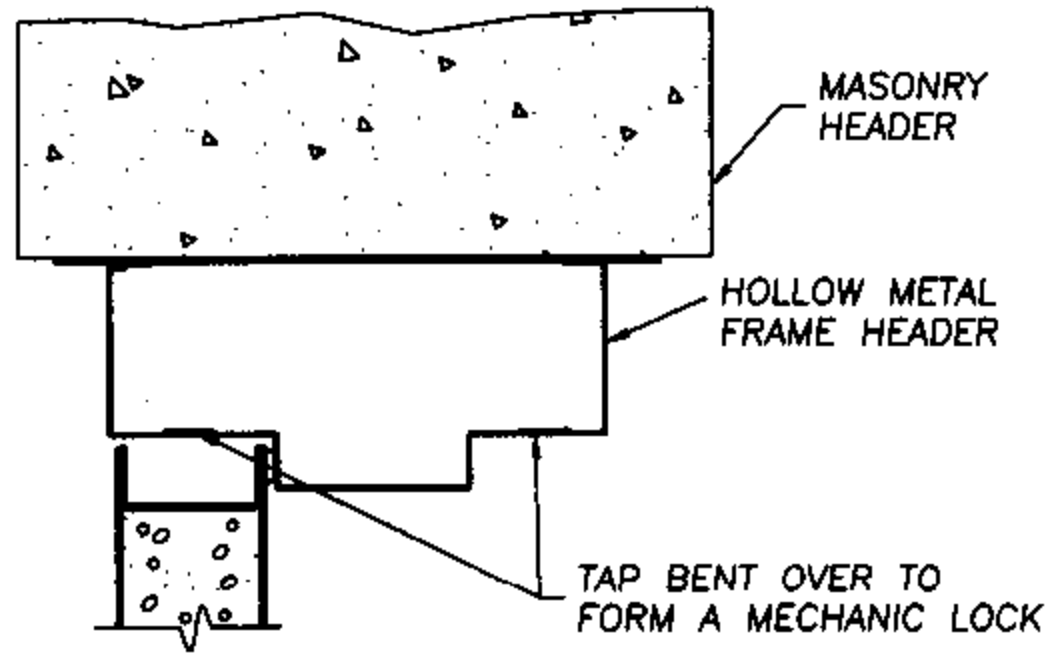
ANCHORING CROSS SECTIONS
MASONRY OUT-SWING
HOLLOW METAL FRAME
FOR NEW CONSTRUCTION

RW BUILDING
CONSULTANTS, INC.
813.659.9197

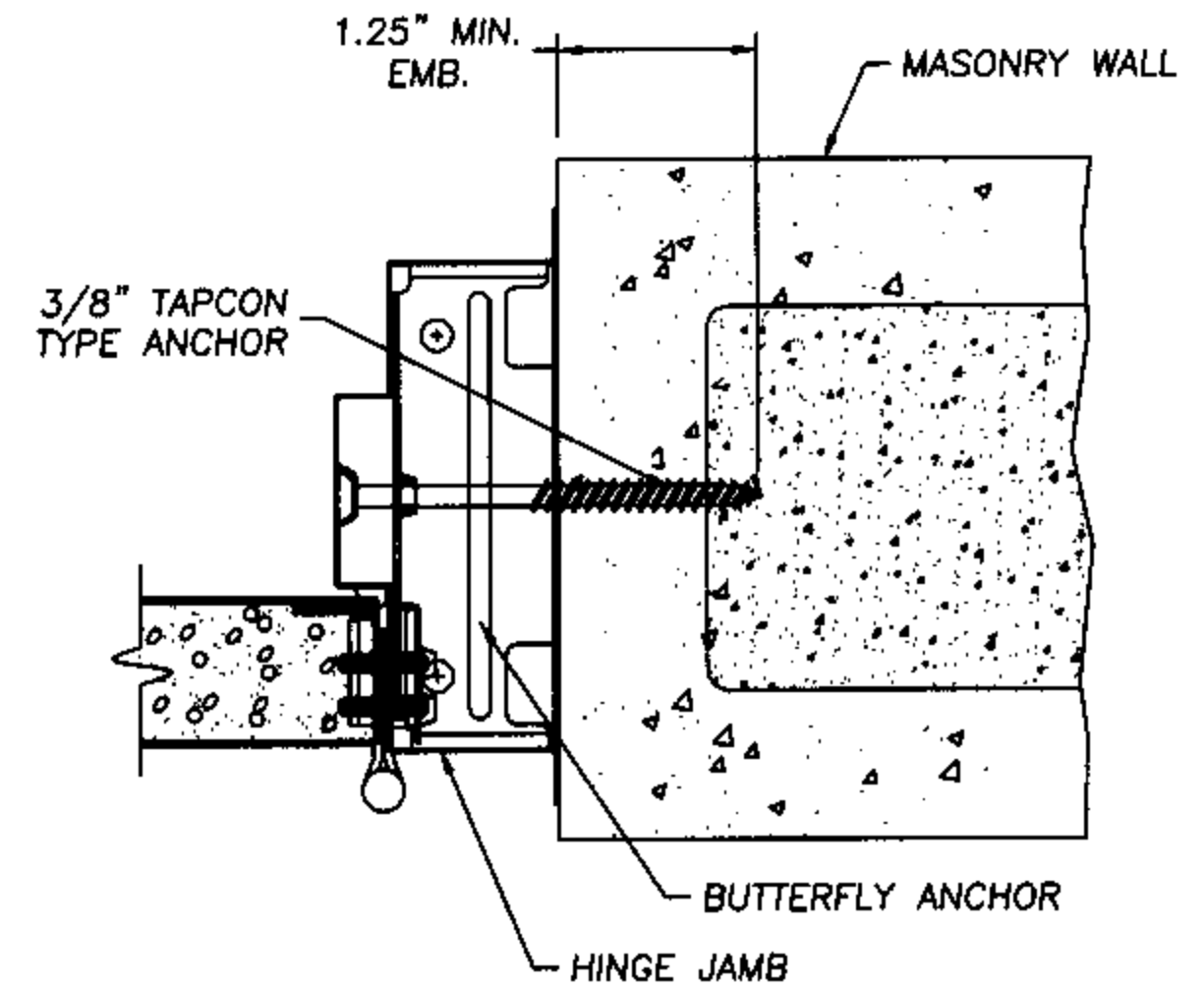
DATE: 6/04/02
SCALE: N.T.S.
DWG. BY: WLN
CHK. BY: R.W.
DRAWING NO.:
MK-101-OC
SHEET 2 OF 3



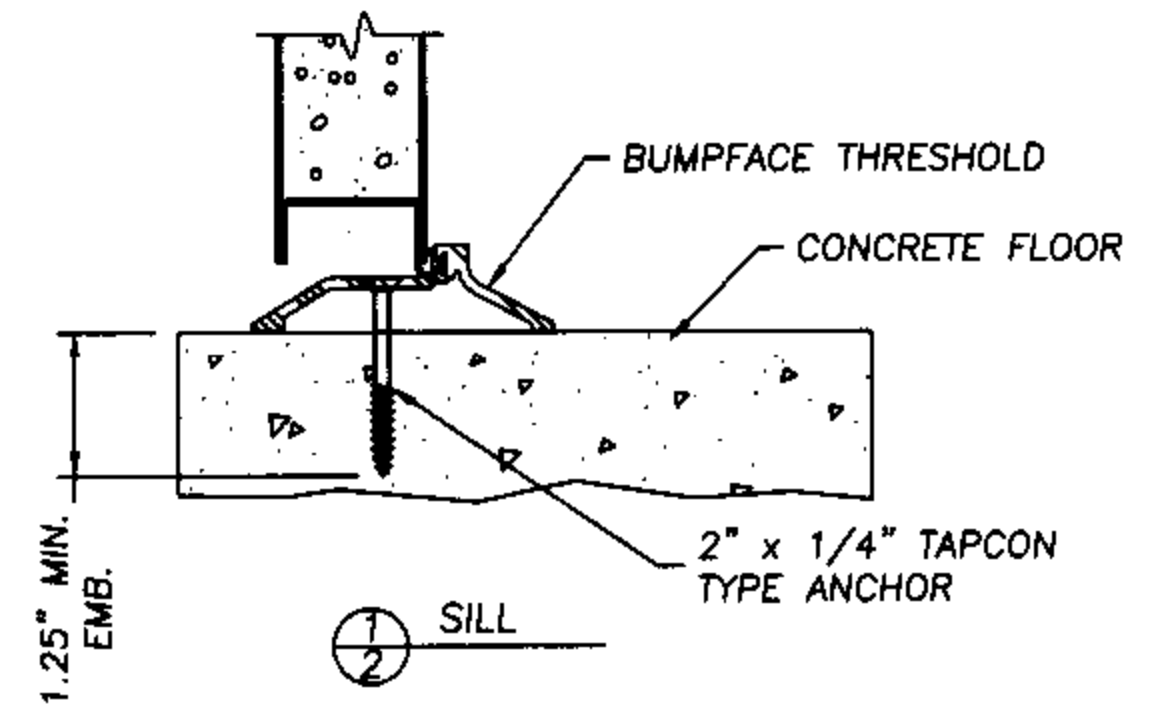
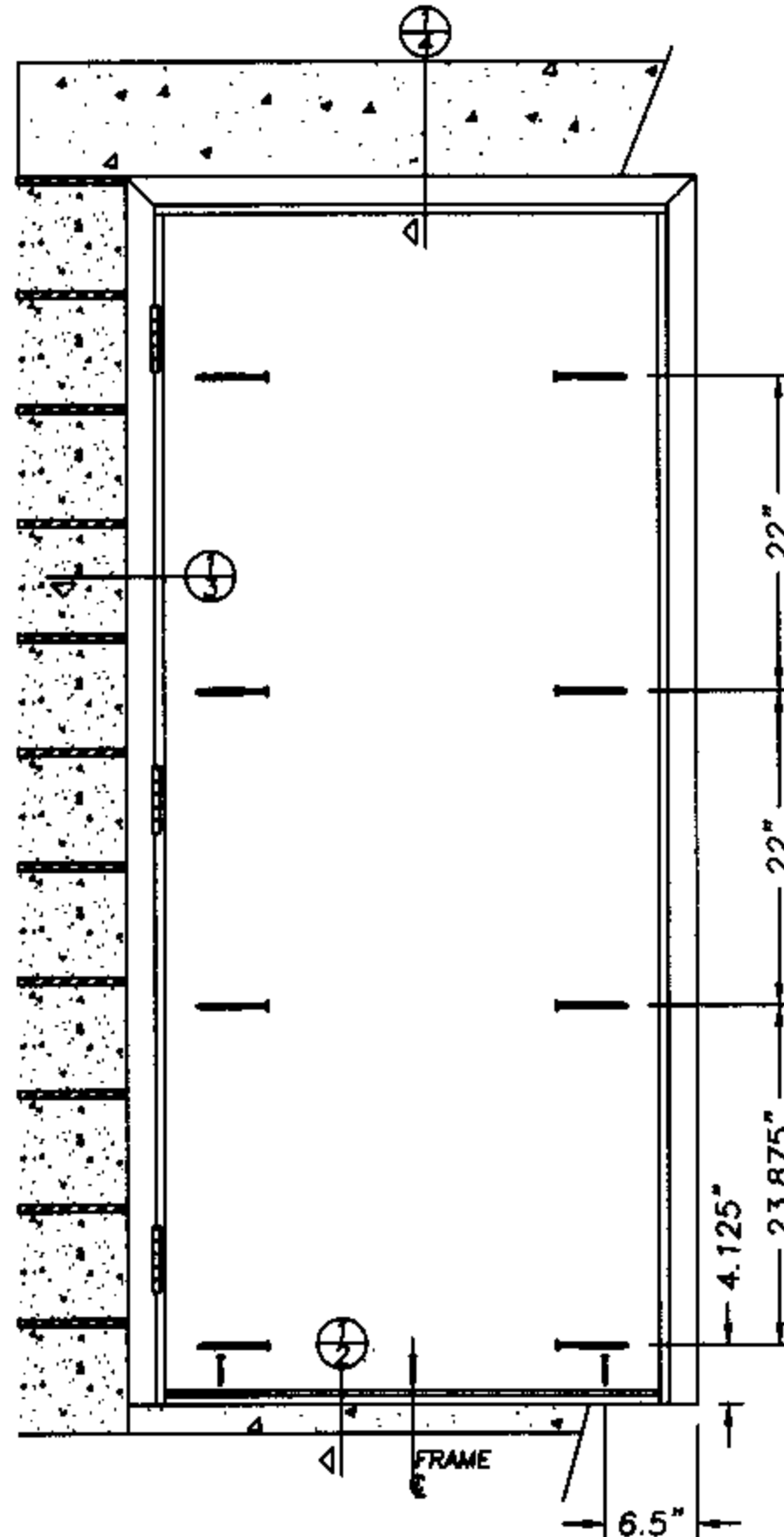
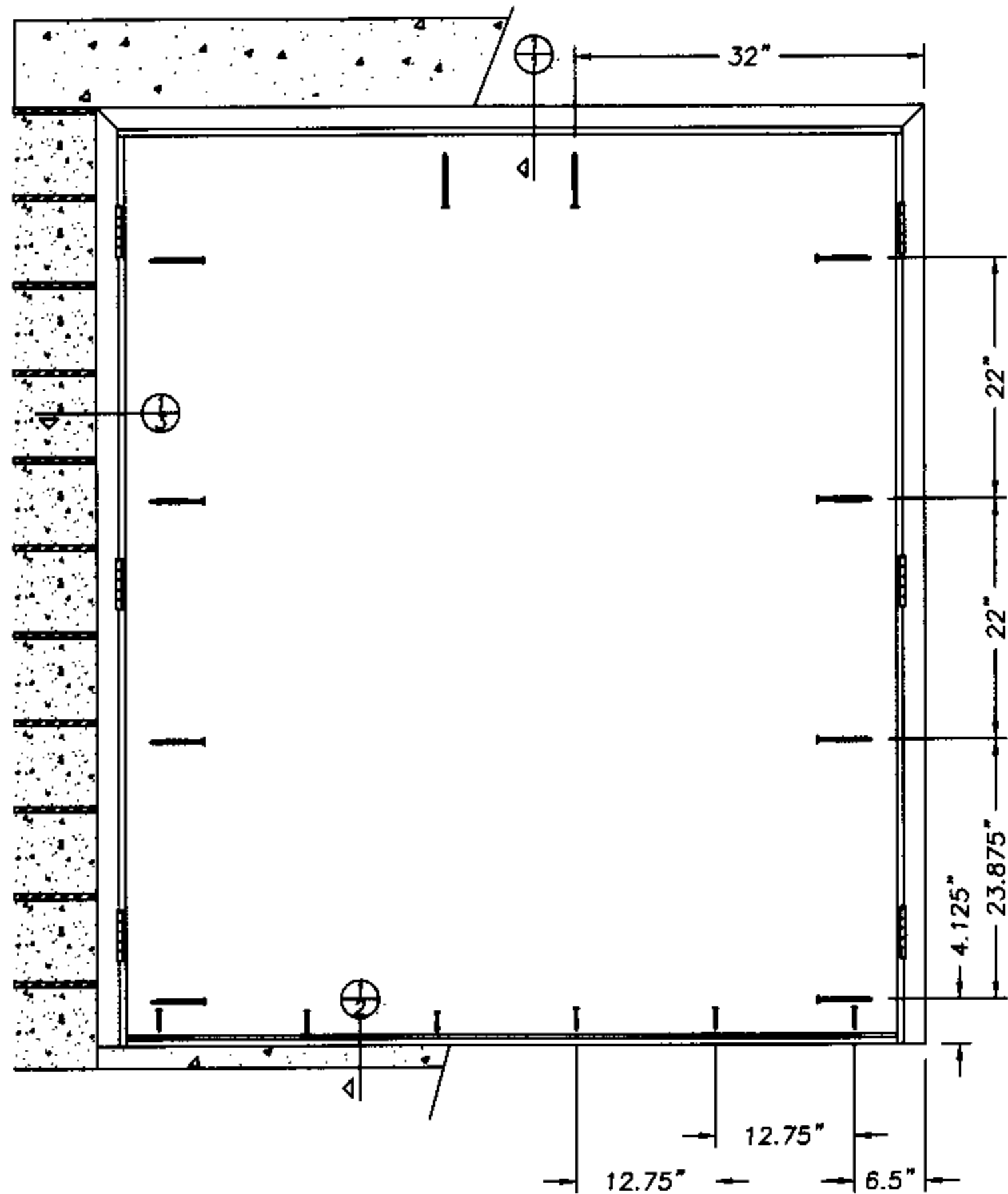
⊕ HEAD JAMB
DOUBLE DOOR APPLICATION



⊕ HEAD JAMB
SINGLE DOOR APPLICATION
(NOTE: NO ANCHORING REQUIRED)



⊕ VERTICAL JAMB



⊕ SILL

JUNE 4, 2002
Lyndon F. Schmidt
Florida P. E. No. 43409
19506 French Lace Drive
Lutz, FL 33558

MESKER
ANCHORING CROSS SECTION
MASONRY OUT-SWING
HOLLOW METAL FRAME
FOR EXISTING CONSTRUCTION

SPACE 1884 THE FIRST DOOR and STILL THE FIRST DOOR
3440 Starwood Blvd.
Huntsville, AL 35811-9021
Phone: 256-851-6670 Fax: 256-851-7886

ANCHORING CROSS SECTION
MASONRY OUT-SWING
HOLLOW METAL FRAME
FOR EXISTING CONSTRUCTION

RW BUILDING
CONSULTANTS, INC.
813.659.9197

DATE: 6/04/02
SCALE: N.T.S.
DWG. BY: WLN
CHK. BY: R.W.
DRAWING NO.:
MK-101-OC
SHEET 3 OF 3