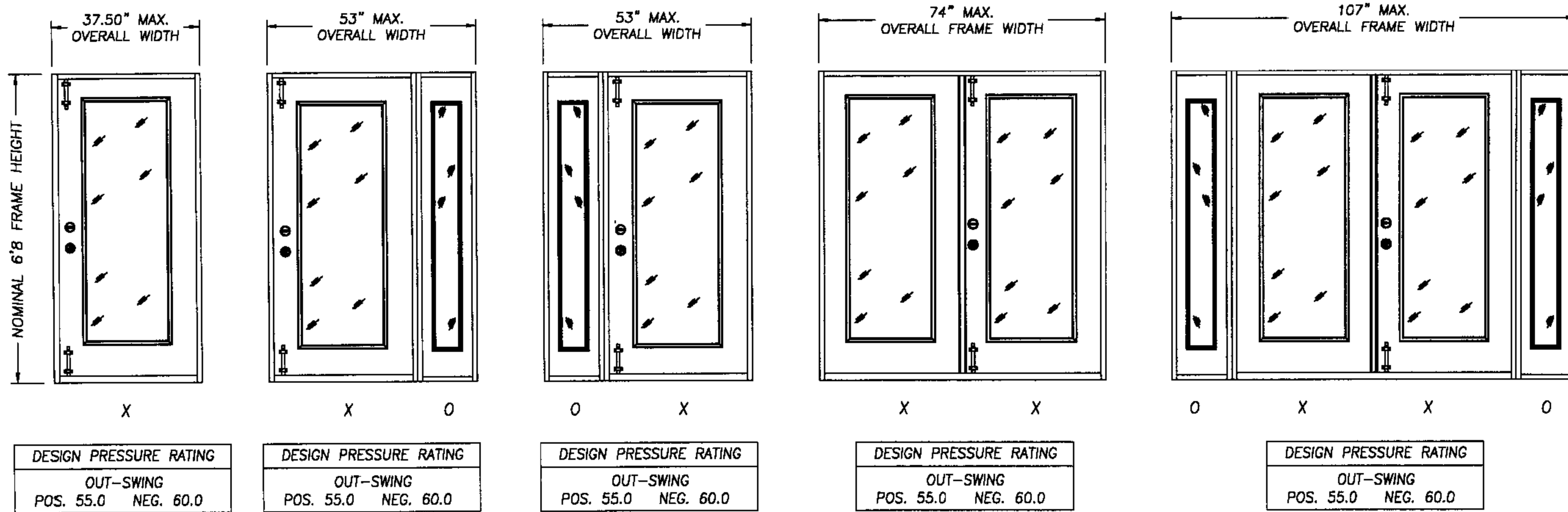


Taylor Door®

STEEL EDGE GLAZED INSULATED STEEL DOOR
OUT-SWING / IN-SWING 6-8 UNITS W/ & W/O SIDELITES



GENERAL NOTES

1. THIS PRODUCT IS DESIGNED TO COMPLY WITH THE FLORIDA BUILDING CODE.
2. PRODUCT ANCHORS SHALL BE AS LISTED AND SPACED AS SHOWN ON DETAILS.
3. THE UNITS REQUIRE WINDBORNE DEBRIS EXTERNAL PROTECTION AS DESCRIBED IN SECTION 1626.1 OF THE FLORIDA BUILDING CODE WHEN USED IN WINDBORNE DEBRIS AREAS.
4. FOR INSWING MASONRY ANCHORING SEE SHEET 2 OF 4.
5. FOR OUTSWING MASONRY ANCHORING SEE SHEET 3 OF 4.
6. FOR INSWING/OUTSWING WOOD STUD ANCHORING SEE SHEET 4 OF 4.

PRODUCT DESCRIPTION

1. THE DOOR FACE SHEETS ARE 24 GA. (0.021") MIN. THICKNESS.
2. THE DOOR PANEL IS FORMED WITH TWO STEEL SKINS WITH A NINETY-DEGREE BREAK AND MECHANICALLY INTERLOCKED.
3. THE SIDELITES STILES AND RAILS ARE WOOD CONSTRUCTION.
4. THE INTERIOR DOOR CAVITY IS EXPANDED POLYSTYRENE.
5. THE DOOR AND SIDELITE GLAZING ARE 0.5" INSULATED GLASS BY RSL.
6. THE WOOD JAMBS ARE A MIN. 4-9/16".
7. THE THRESHOLD IS AN ALUMINUM BUMP FACE TYPE (OUTSWING) OR AN ALUMINUM SADDLE TYPE (INSWING).

Lyndon F. Schmidt
 Lyndon F. Schmidt
 Florida P. E. No. 43409
 19506 French Lace Drive Lutz, FL 33558

AUGUST 1, 2002

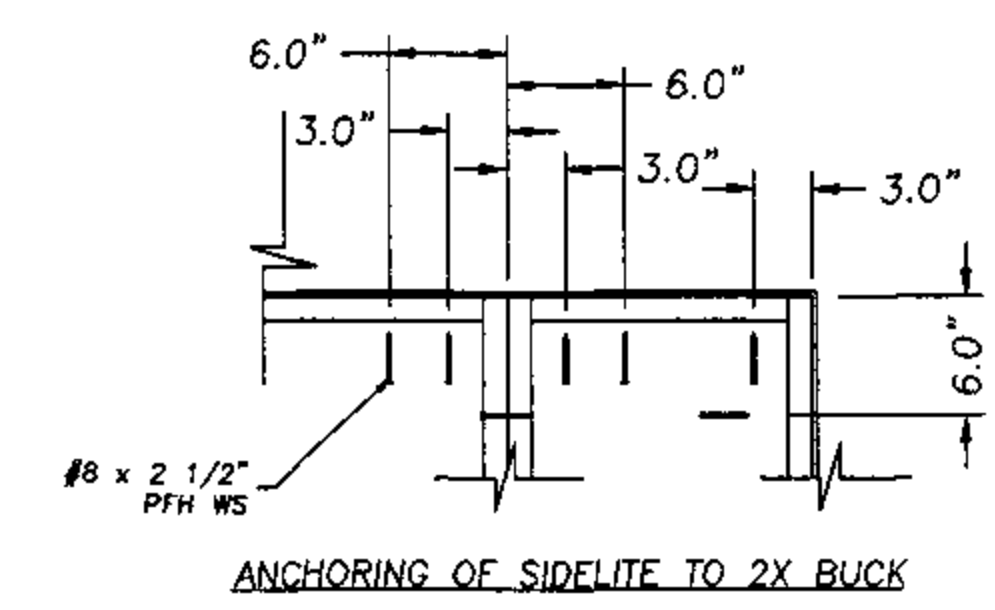
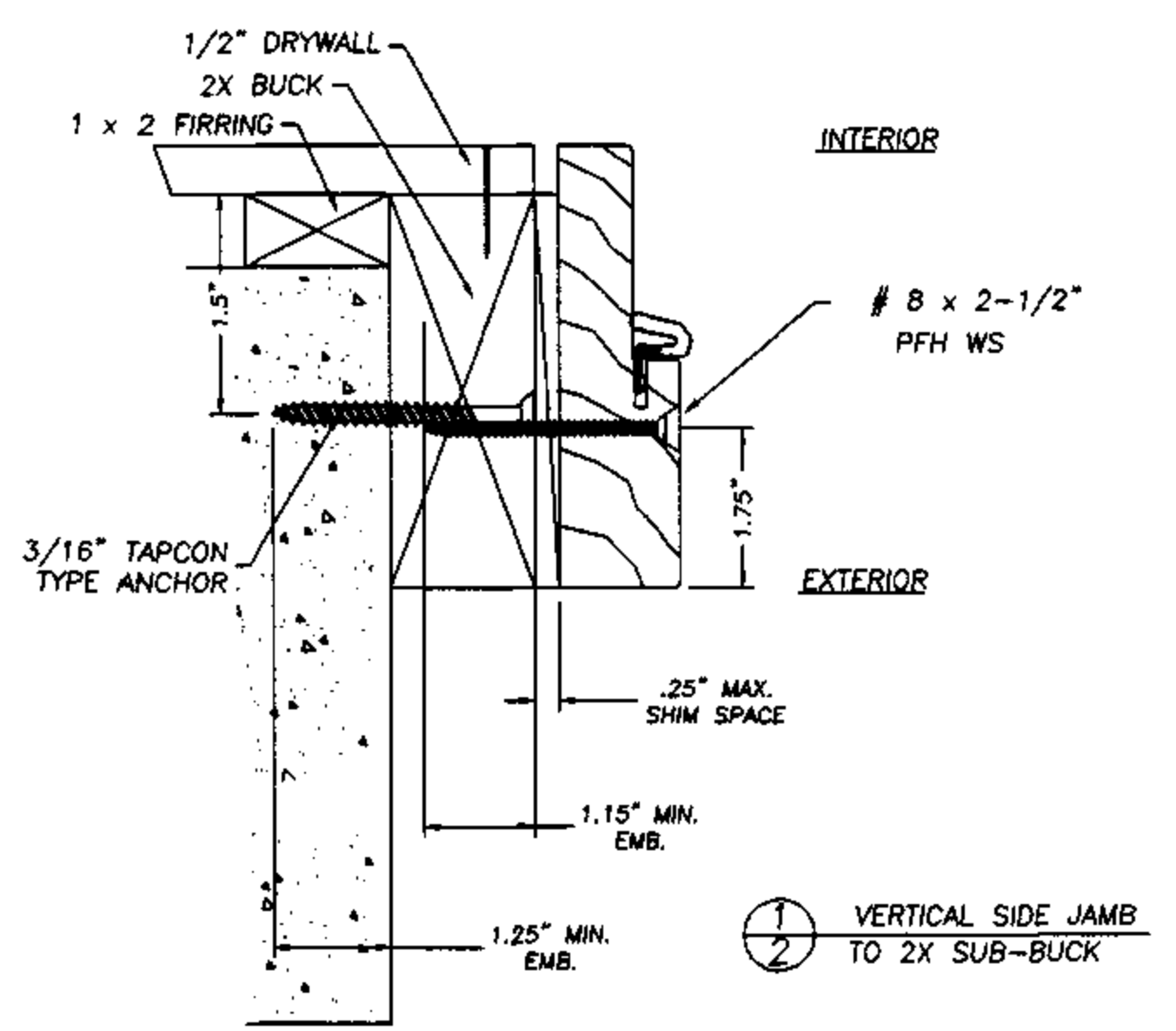
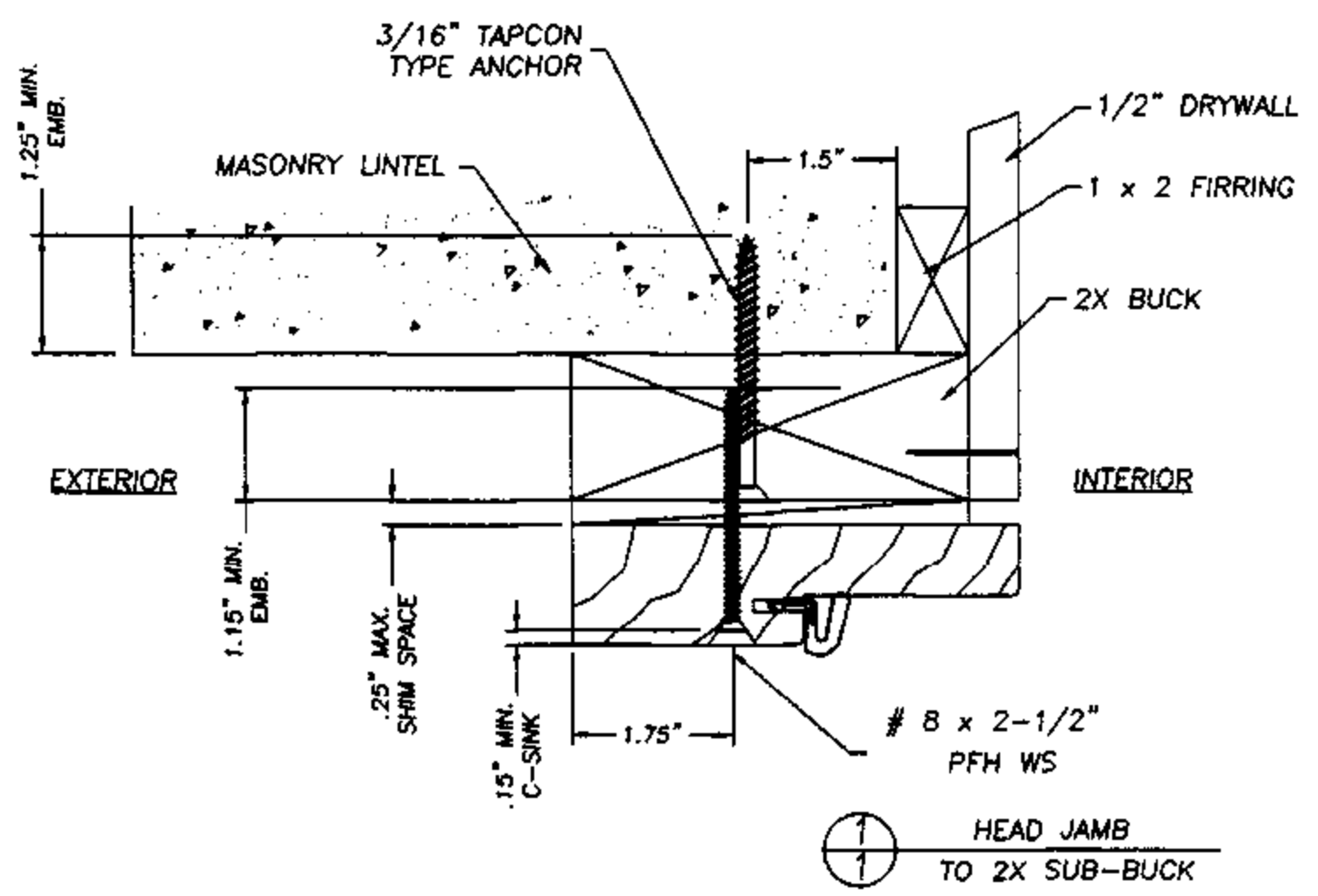
TAYLOR
 TAYLOR BUILDING PRODUCTS, INC.
 431 NORTH FIRST STREET
 WEST BRANCH, MICHIGAN 49661
 PH. (517) 345-5110 FAX. (517) 345-5116

PRODUCT: UNI-DOOR STEEL EDGE STEEL DOOR GLAZED W/WO SIDELITES
 PART OR ASSEMBLY: GENERAL NOTES & TYPICAL ELEVATIONS

NO.	DATE	REVISIONS	BY

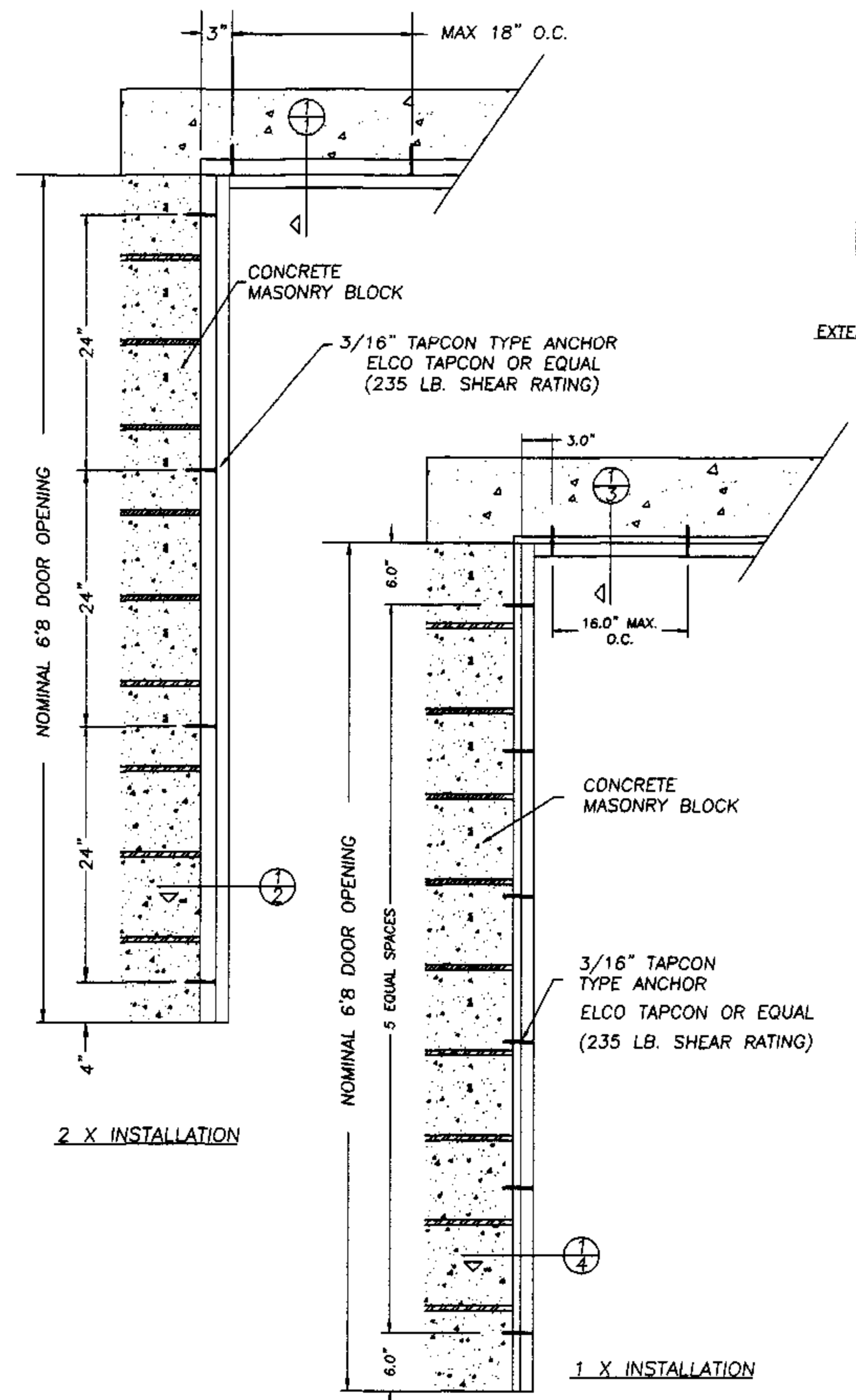
RW BUILDING CONSULTANTS, INC.
 813.659.9197

DATE: 8/1/02
 SCALE: N.T.S.
 DWG. BY: WLN
 CHK. BY: RW
 DRAWING NO.: TAY-105-OC
 SHEET 1 of 4



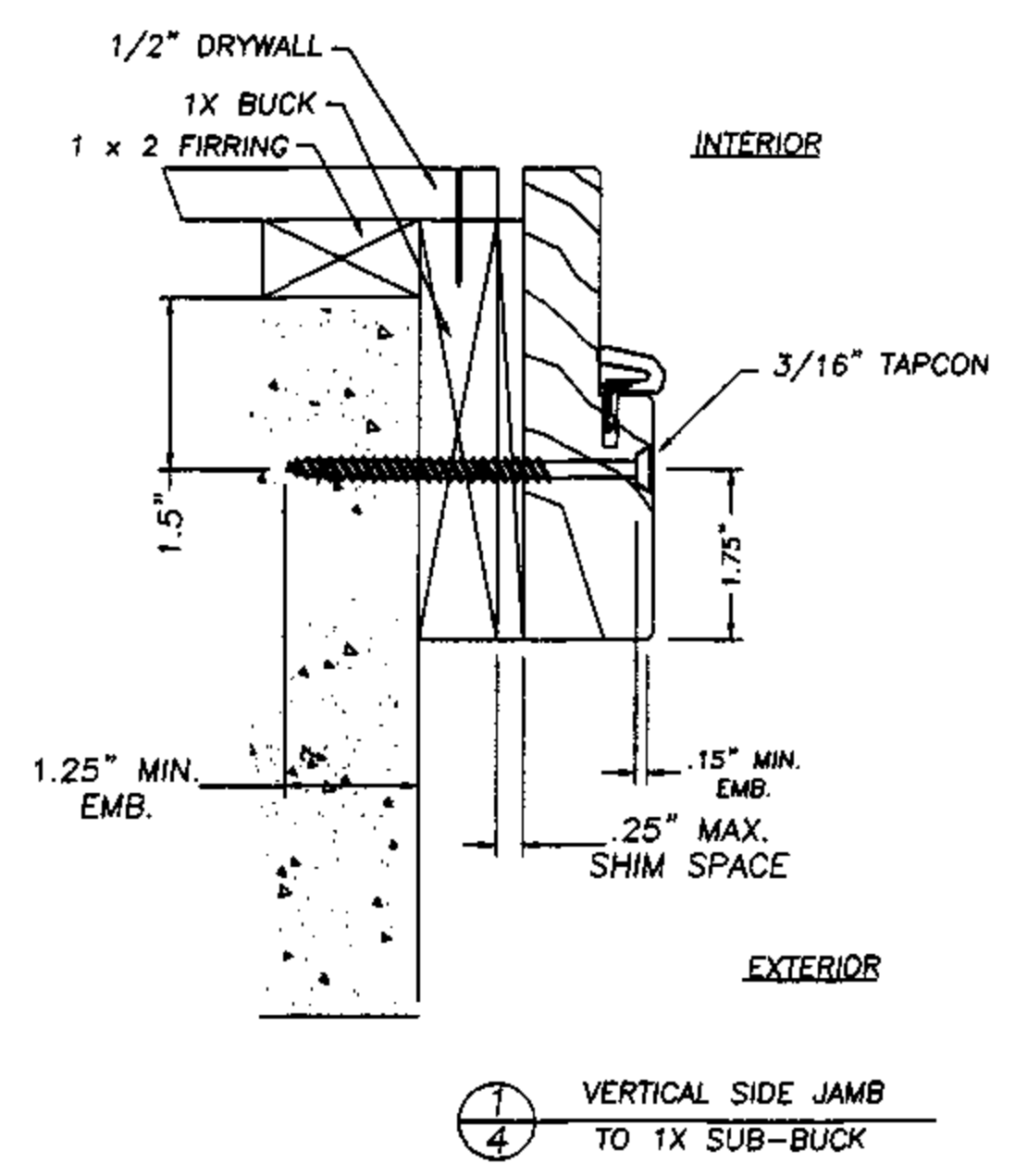
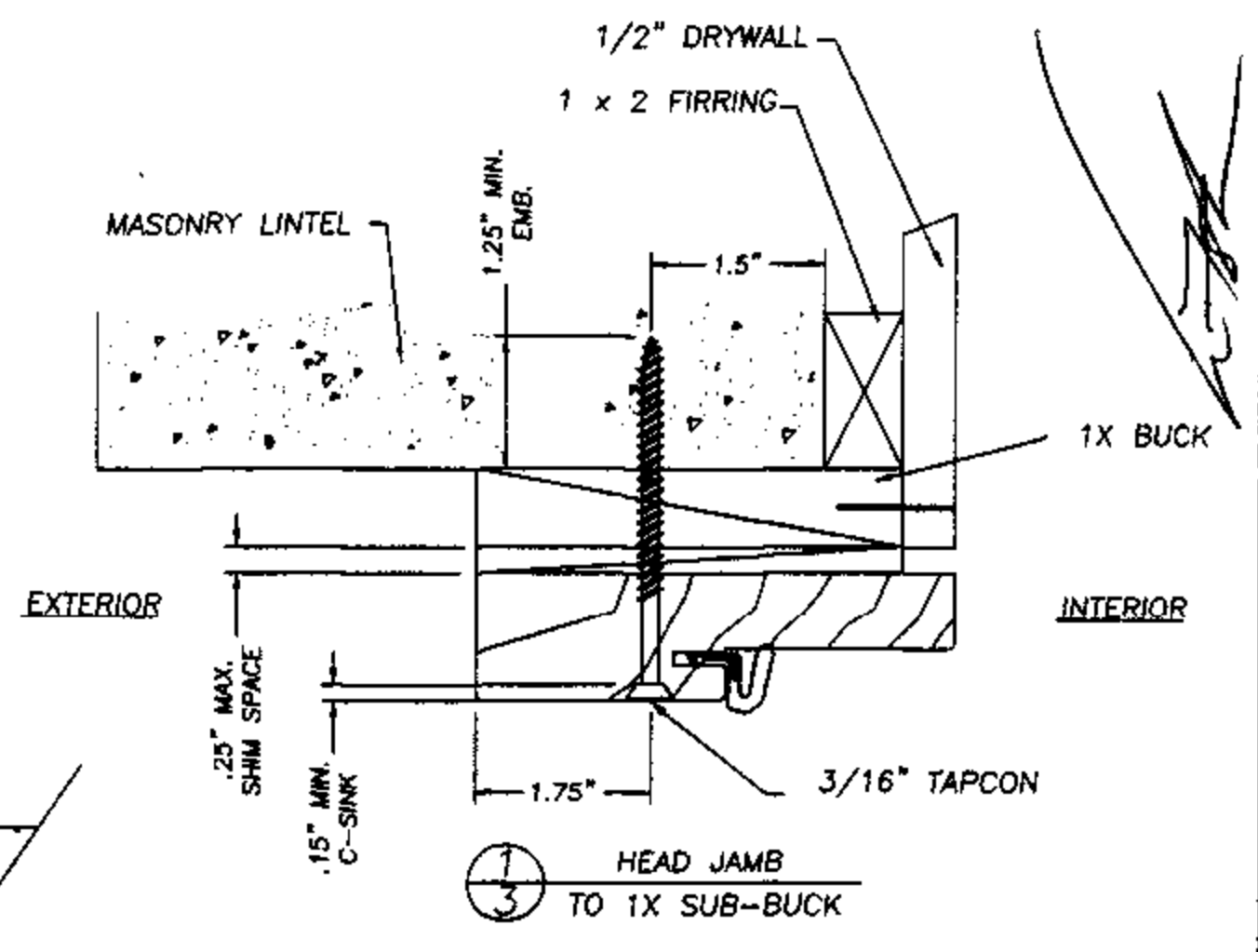
ANCHORING OF SIDELITE TO 2X BUCK

NOTE: A minimum clearance of 2.0" for all anchoring screws to mortar joints must be maintained.

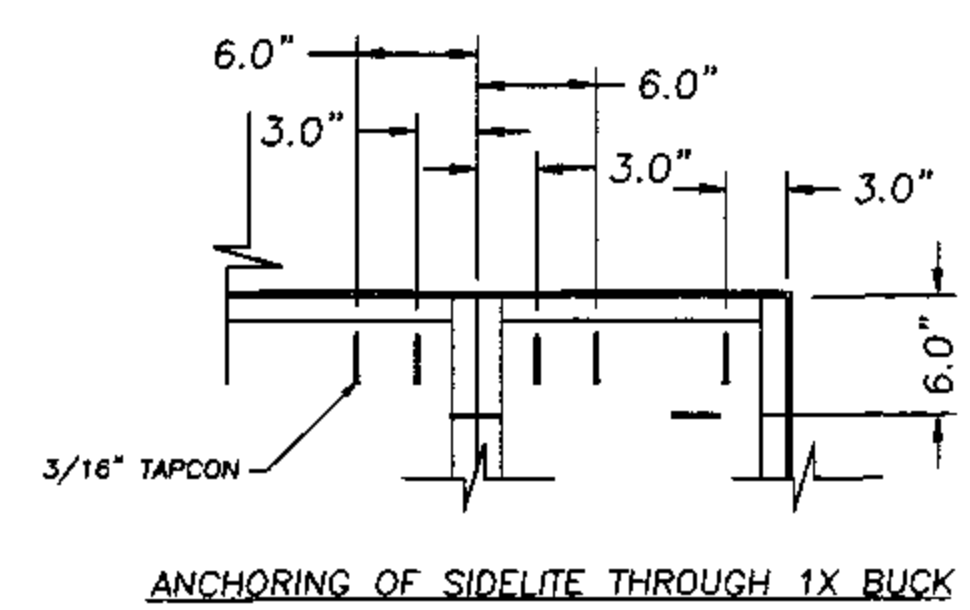


2 X INSTALLATION

1 X INSTALLATION



VERTICAL SIDE JAMB TO 1X SUB-BUCK



ANCHORING OF SIDELITE THROUGH 1X BUCK

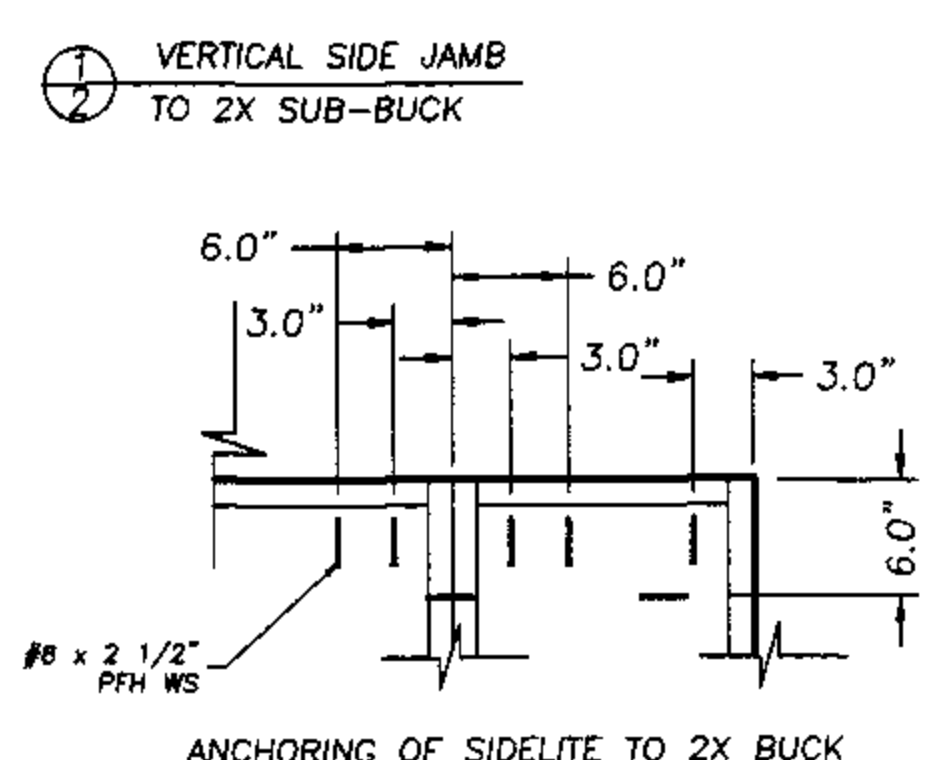
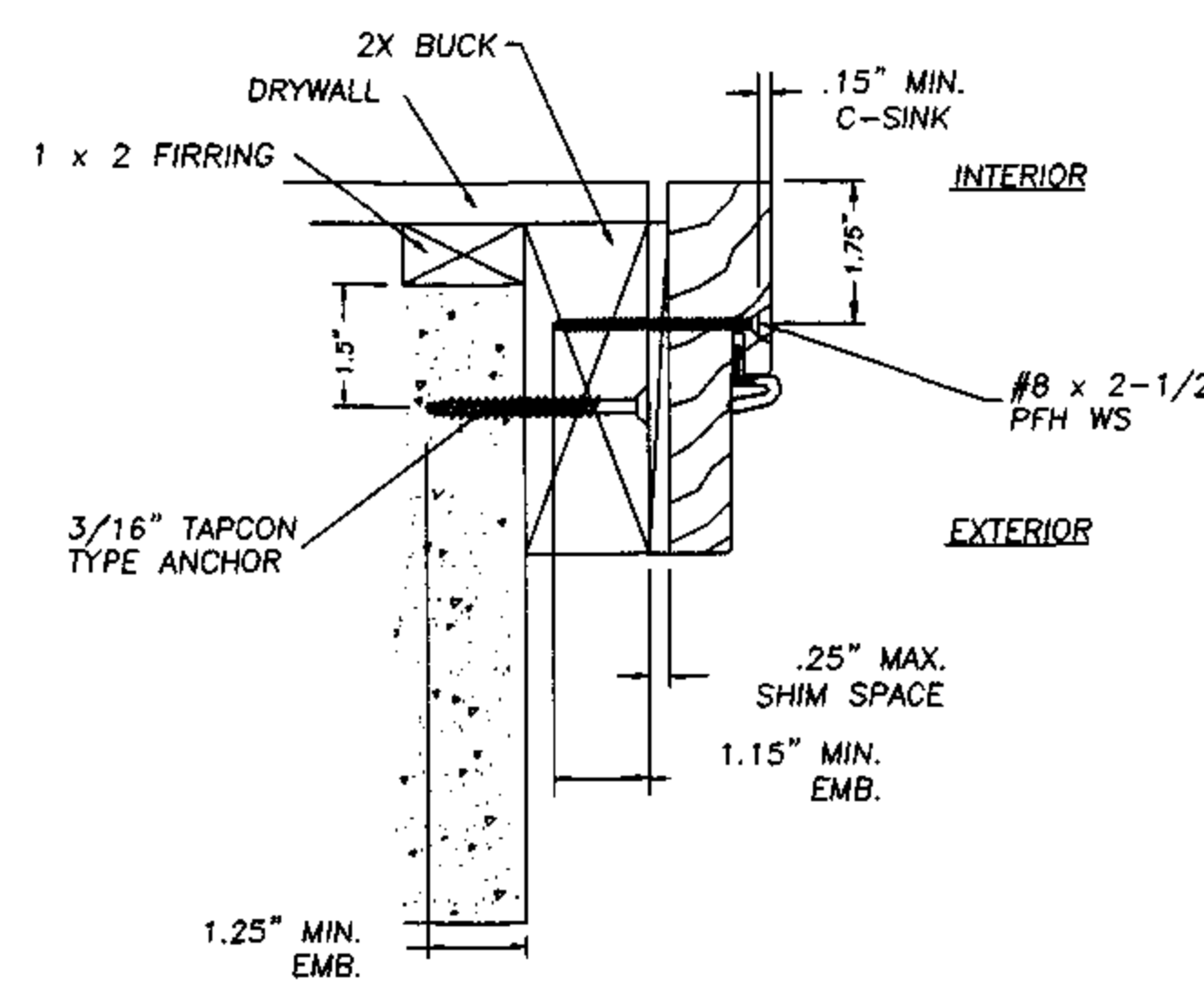
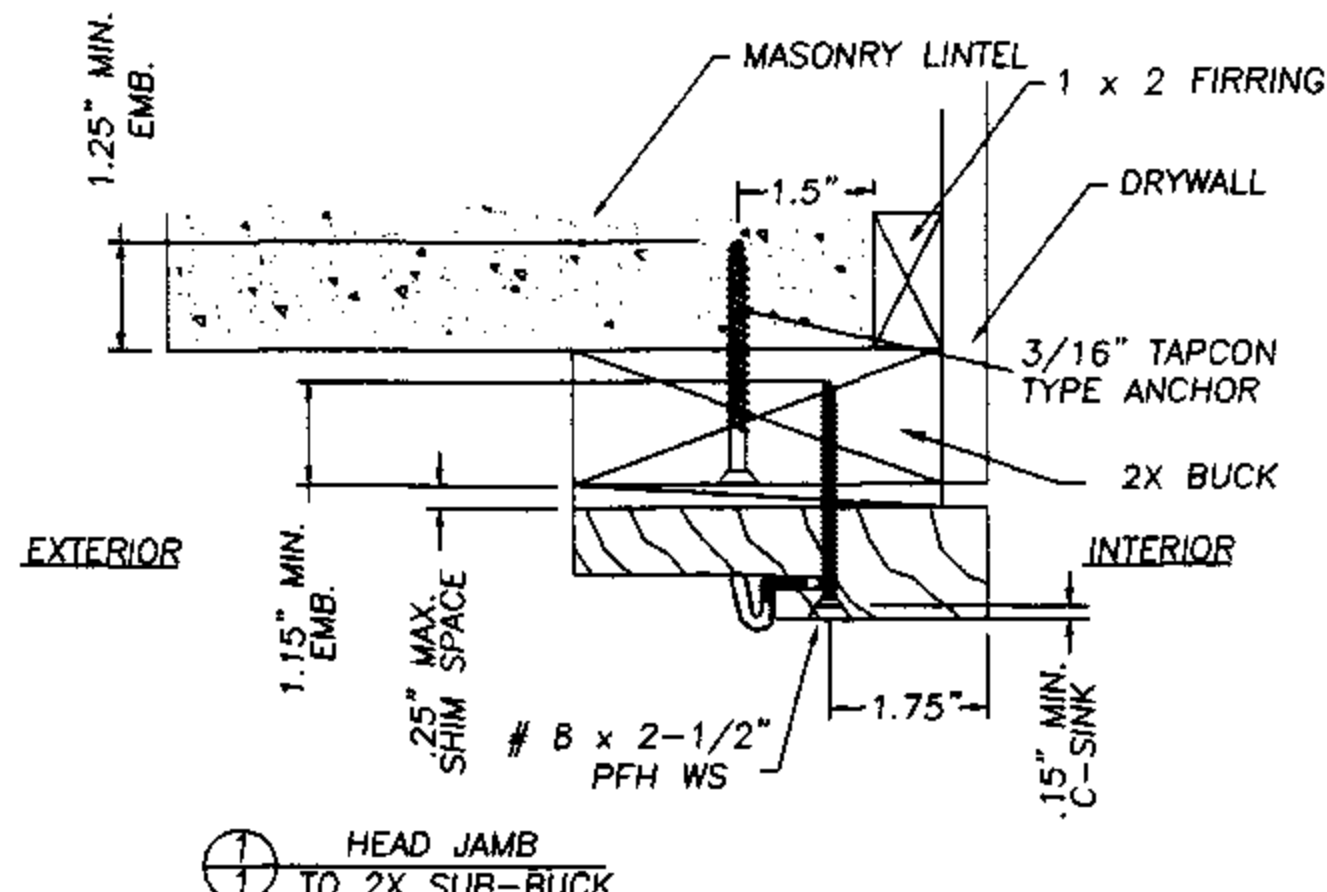
AUGUST 1, 2002
 Lyndon F. Schmidt
 Florida P. E. No. 43409
 19506 French Lace Drive
 Lutz, FL 33558

TAYLOR
 AMERICA'S DOORMAKER
TAYLOR BUILDING PRODUCTS, INC.
 631 NORTH FIRST STREET
 WEST BRANCH, MICHIGAN 48661
 PH. (517) 345-5110 FAX. (517) 345-5116

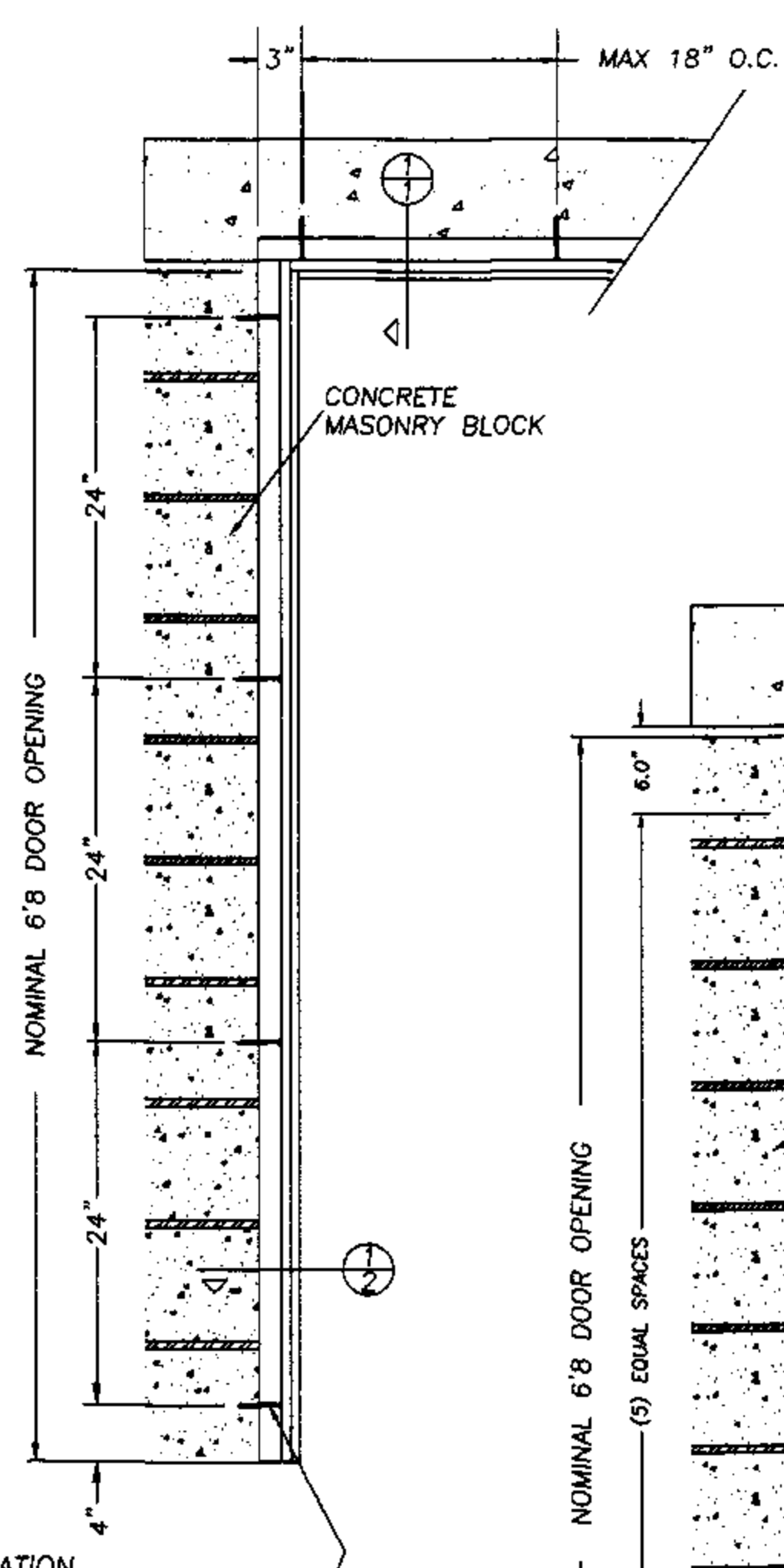
ANCHOR CROSS SECTIONS
 MASONRY 6'8
 IN-SWING WOOD FRAME

RW BUILDING
 CONSULTANTS, INC.
 813.659.9197

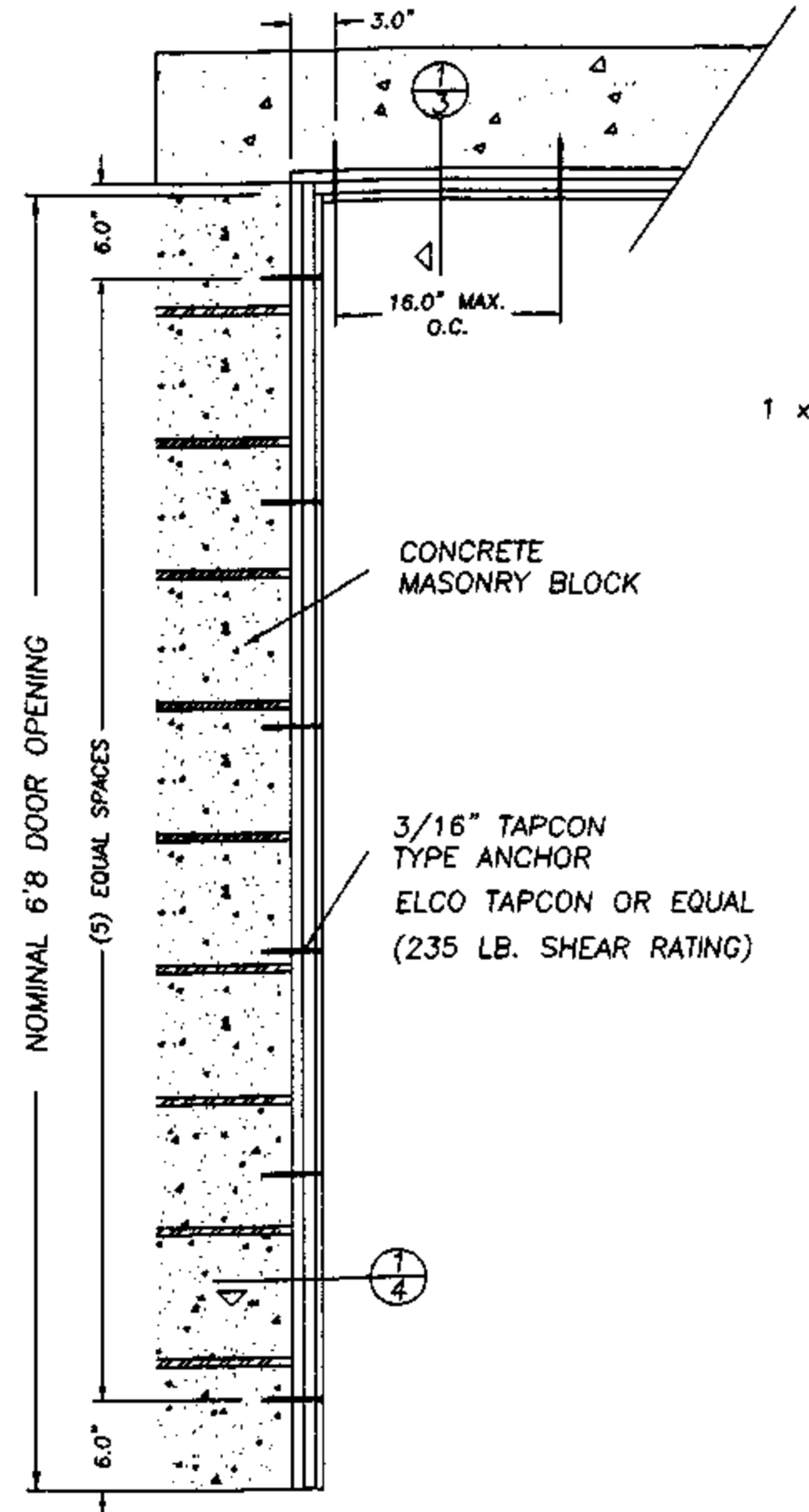
DATE: 8/1/02
 SCALE: NTS
 DWG. BY: WLN
 CHK. BY: RW
 DRAWING NO.: TAY-105-OC
 SHEET 2 OF 4



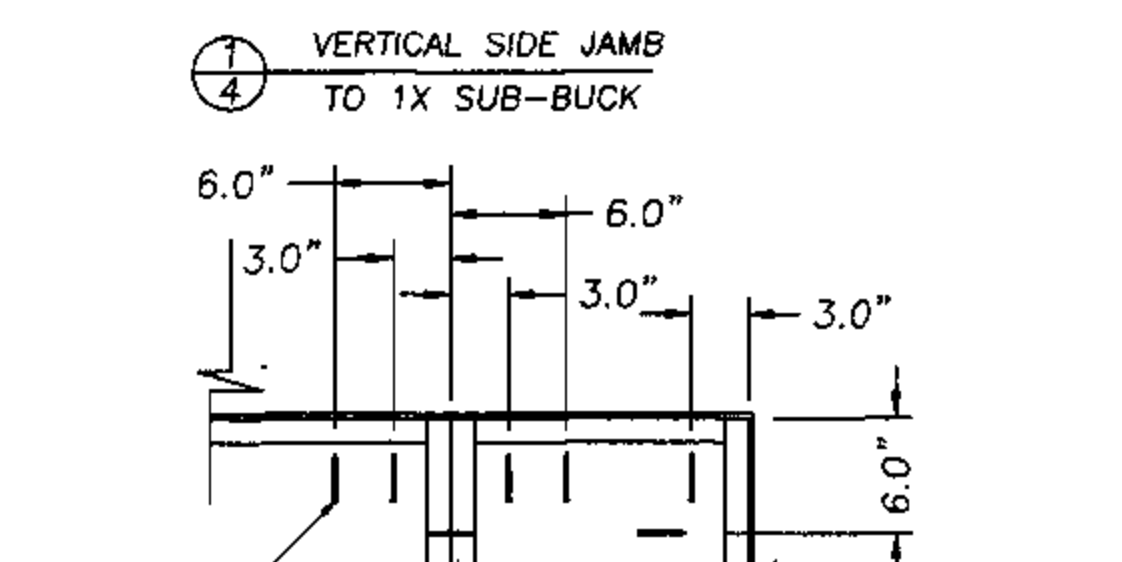
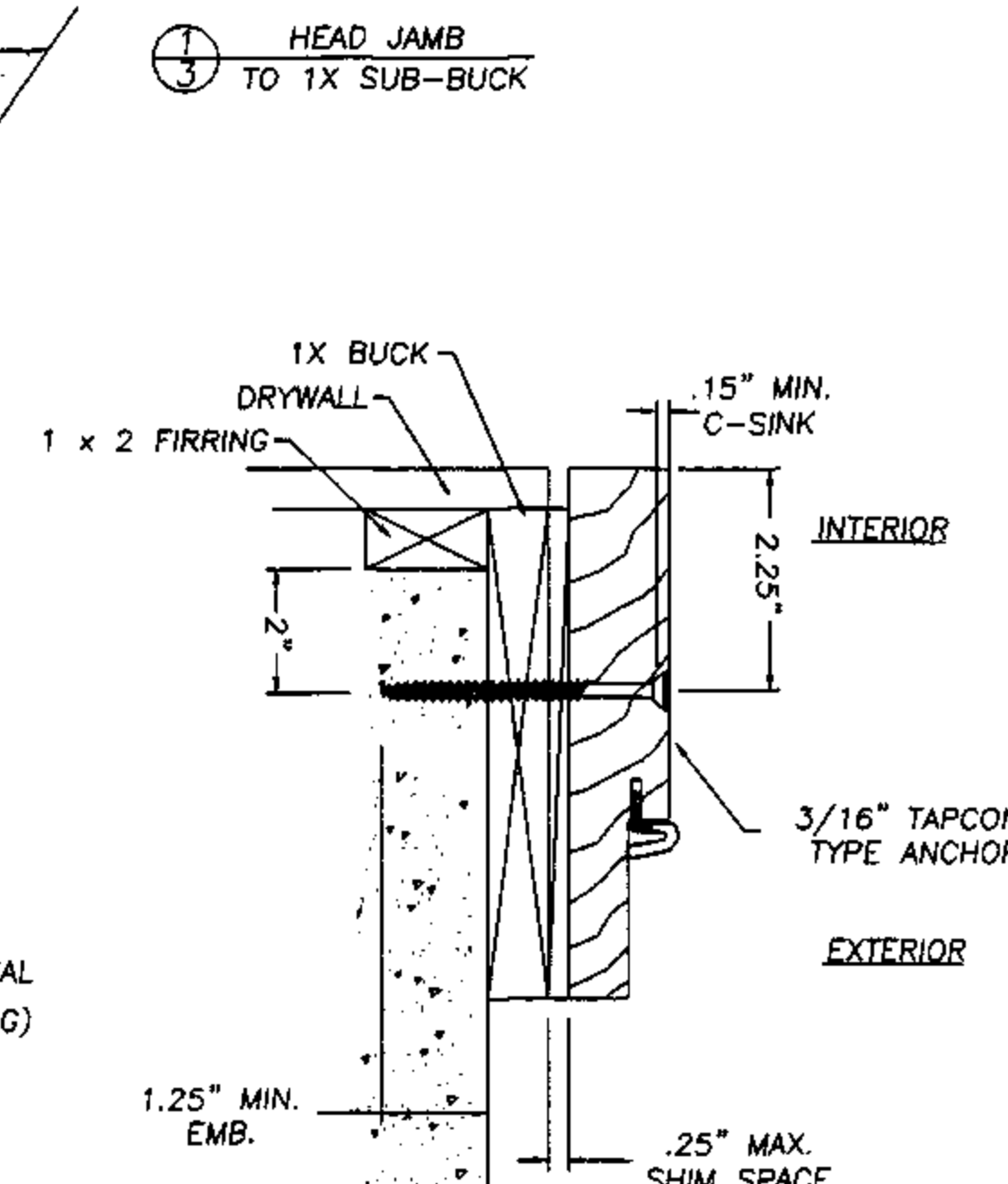
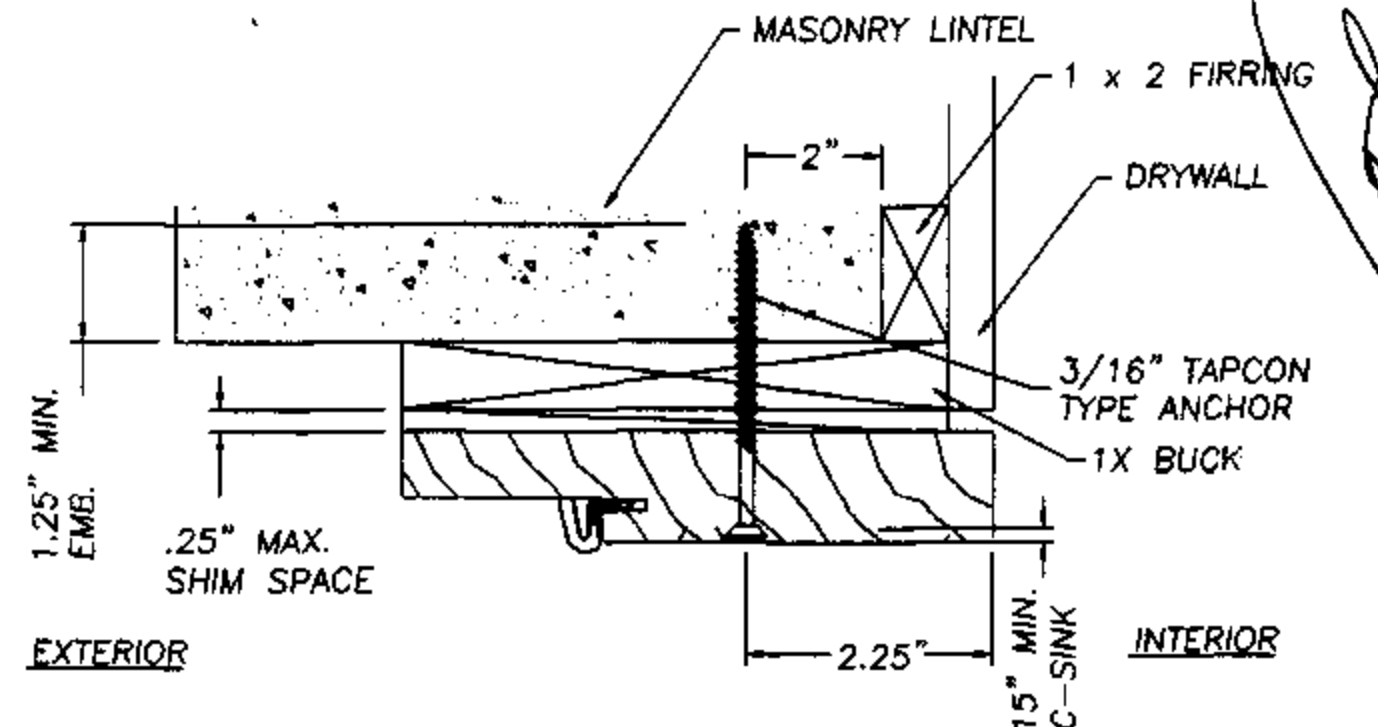
NOTE:
 1. When using a 1X sub-buck a 6-9/16" jamb is required to allow for min. edge spacing for Tapcon type anchors.
 2. A minimum clearance of 2.0" for all anchoring screws to mortar joints must be maintained.



2 X INSTALLATION
 3/16" TAPCON TYPE ANCHOR
 ELCO TAPCON OR EQUAL
 (235 LB. SHEAR RATING)



1 X INSTALLATION



ANCHORING OF SIDELITE THROUGH 1X BUCK

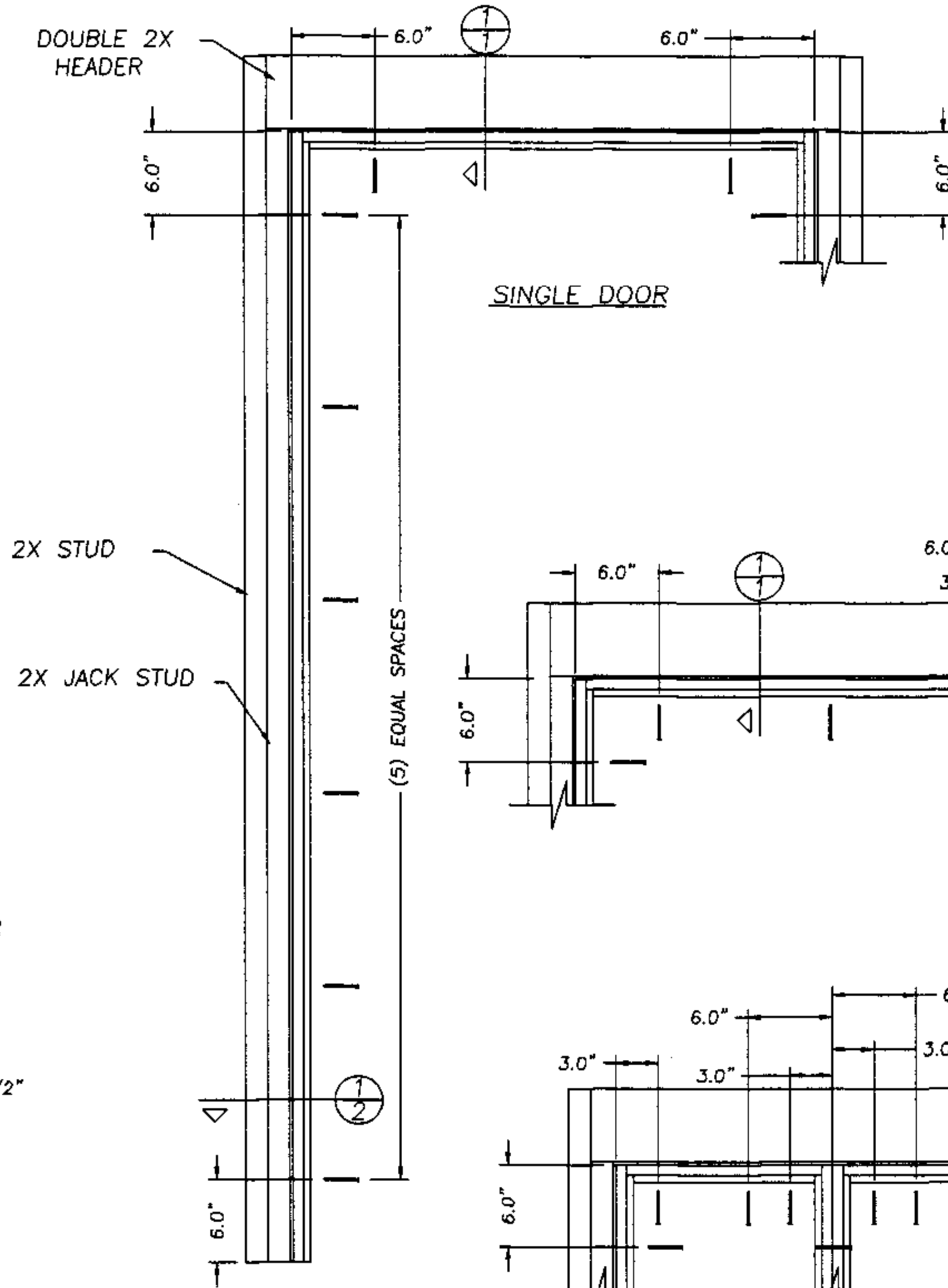
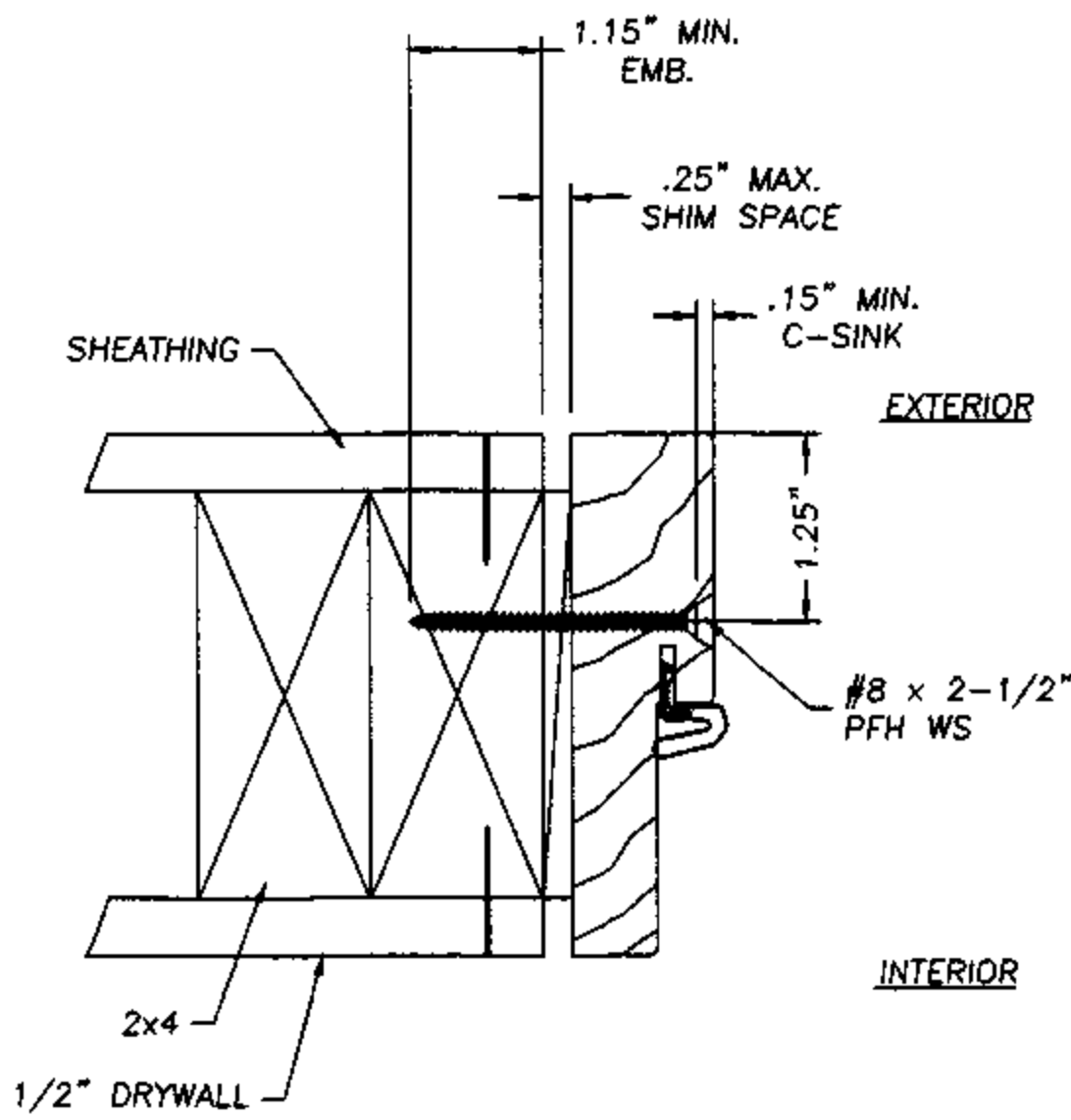
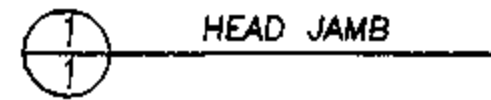
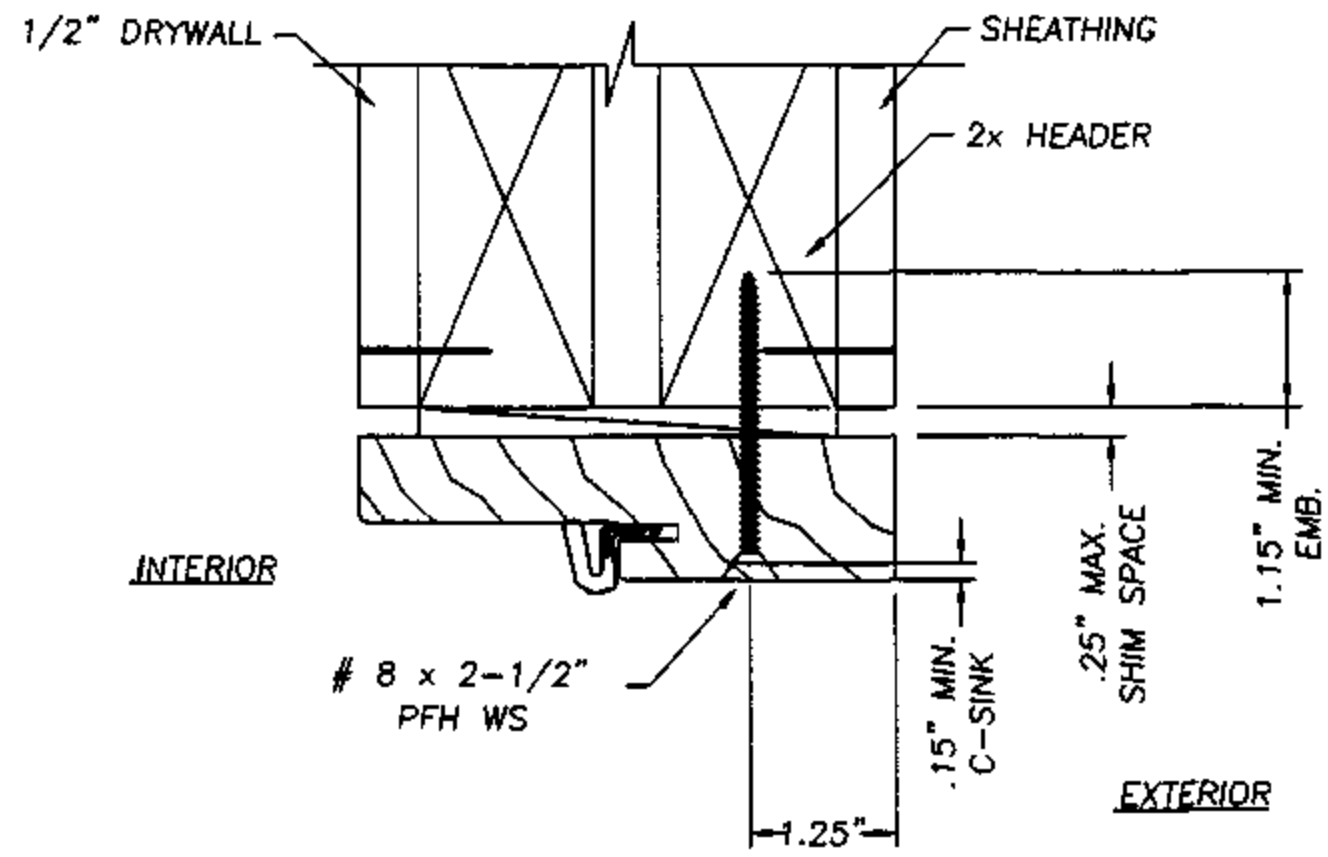
AUGUST 1, 2002
 Lyndon F. Schmidt
 Florida P. E. No. 43409
 19506 French Lace Drive
 Lutz, FL 33558

TAYLOR
 TAYLOR BUILDING PRODUCTS, INC.
 631 NORTH FIRST STREET
 WEST BRANCH, MICHIGAN 48661
 PH. (517) 345-5110 FAX. (517) 345-5116

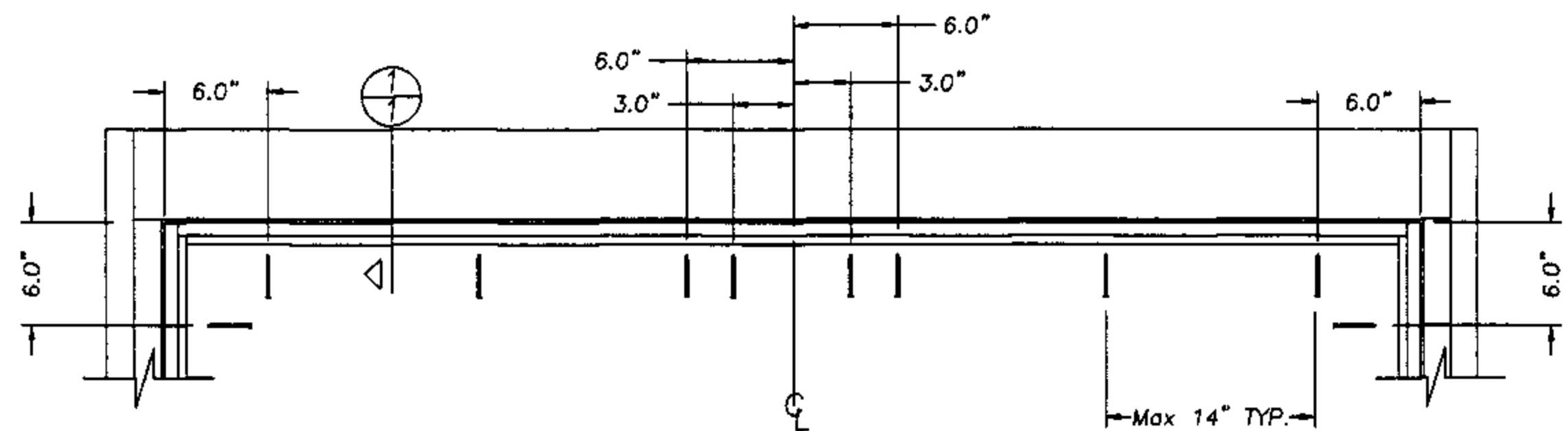
ANCHOR CROSS SECTIONS
 MASONRY 6'8
 OUT-SWING WOOD FRAME

RW BUILDING
 CONSULTANTS, INC.
 813.659.9197

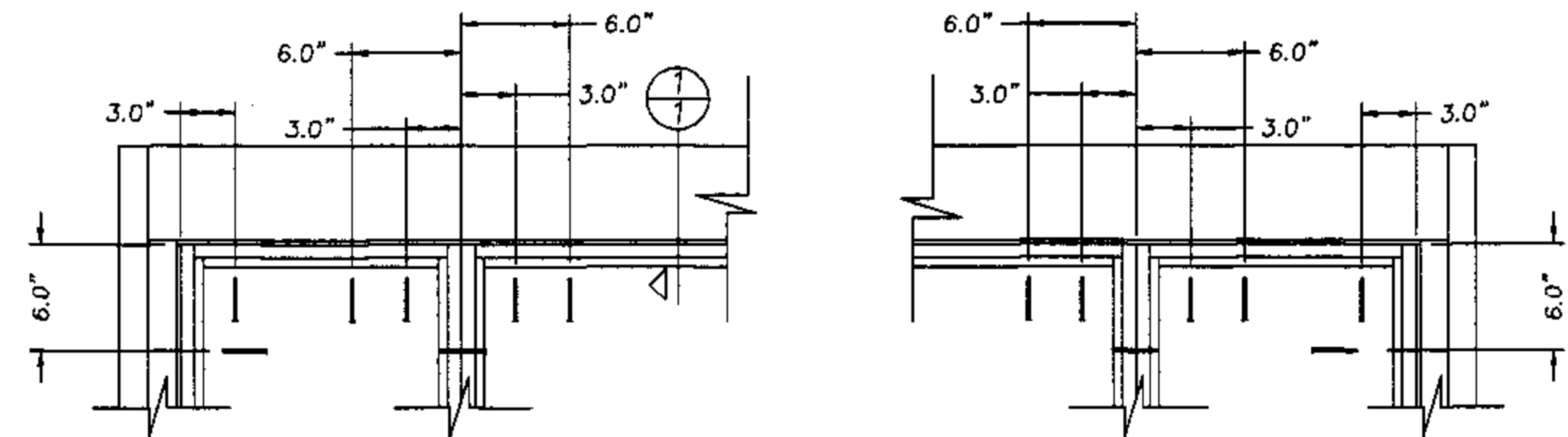
DATE: 8/1/02
 SCALE: NTS
 DWG. BY: WLN
 CHK. BY: RW
 DRAWING NO.: TAY-105-OC
 SHEET 3 OF 4



SINGLE DOOR



DOUBLE DOOR



SINGLE OR DOUBLE DOOR WITH SIDELITES

AUGUST 1, 2002
 Lyndon F. Schmidt
 Florida P. E. No. 43409
 19506 French Lace Drive
 Lutz, FL 33558

TAYLOR
 TAYLOR BUILDING PRODUCTS, INC.
 631 NORTH FIRST STREET
 WEST BRANCH, MICHIGAN 48861
 PH. (517) 345-5110 FAX. (517) 345-5116

ANCHOR CROSS SECTIONS
 WOOD OR STEEL STUD
 IN-SWING / OUT-SWING
 WOOD FRAME

RW BUILDING
 CONSULTANTS, INC.
 813.659.9197

DATE: 8/1/02
 SCALE: NTS
 DWG. BY: WLN
 CHK. BY: RW
 DRAWING NO.:
 TAY-105-OC
 SHEET 4 OF 4