

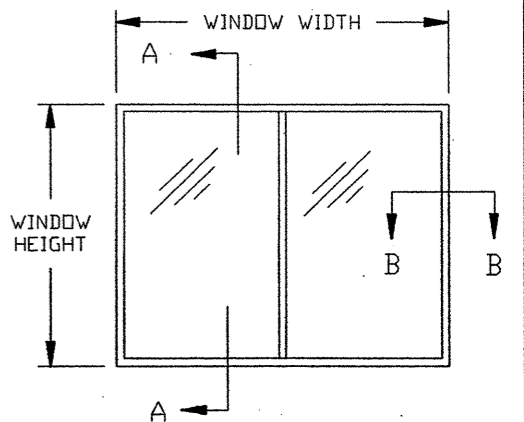
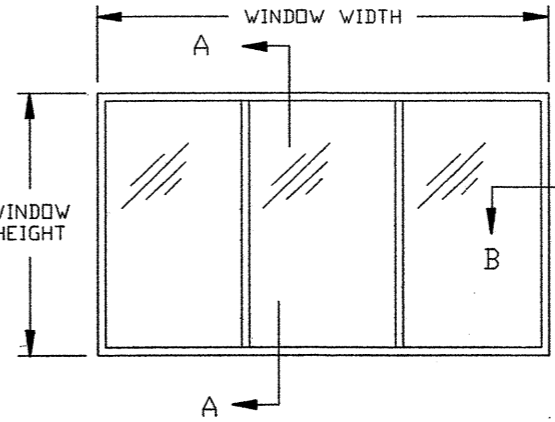
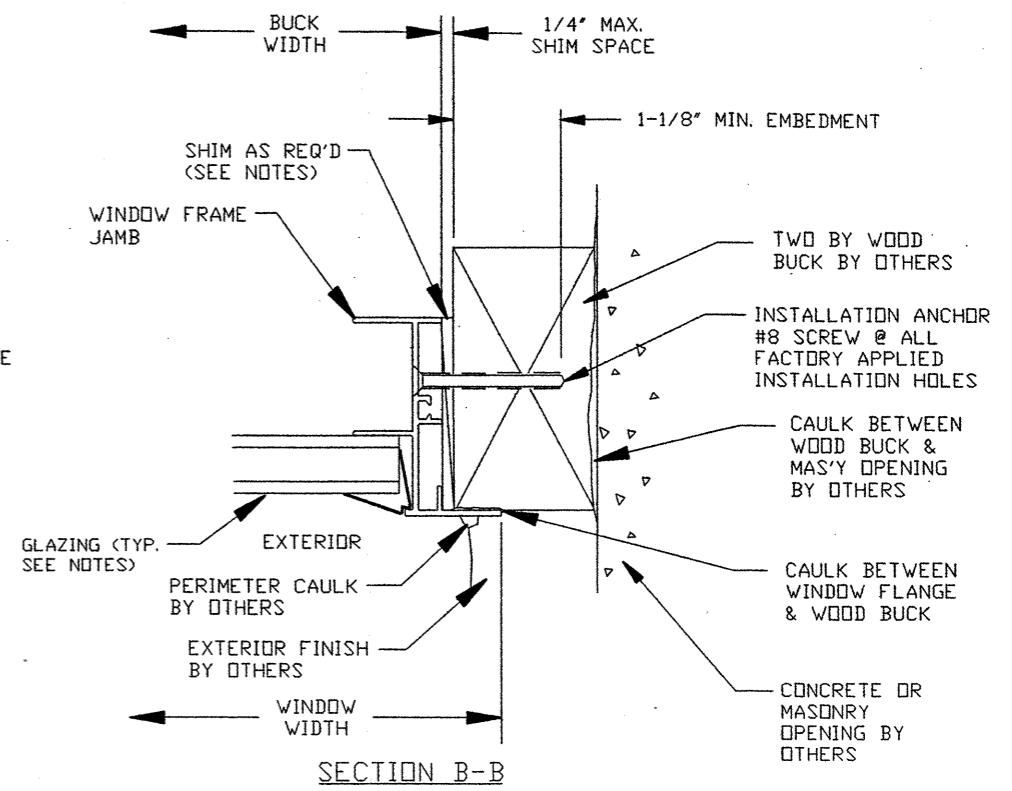
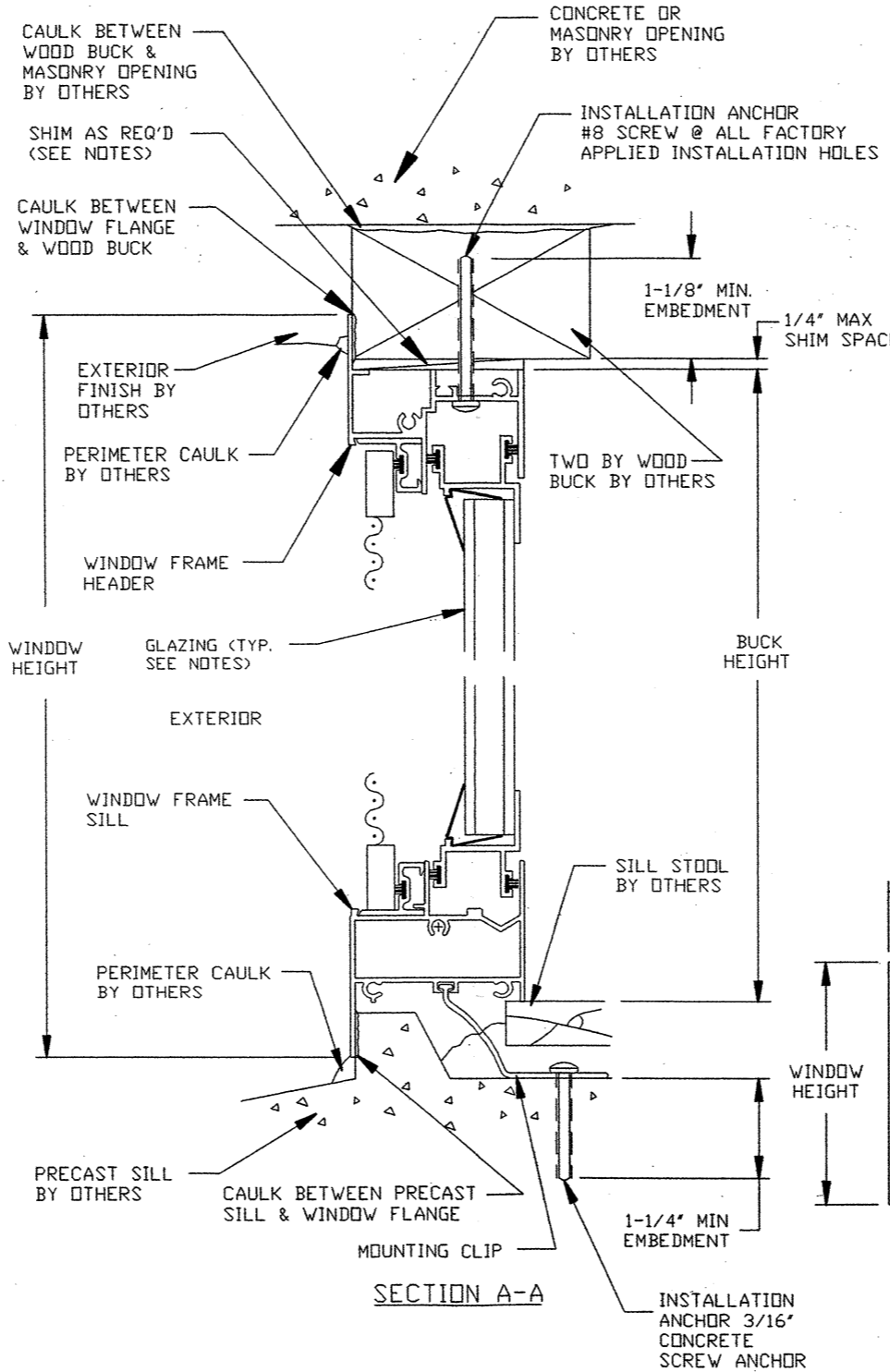
**ANCHOR QUANTITY CHART  
OX & XO**

WINDOW SIZE IN INCHES	MIN. QUANTITY OF #8 SCREW ANCHORS		
	@ SILL	@ HEAD	@ EA. JAMB
24 X 24	1	1	1
24 X 30	1	1	1
24 X 36	1	1	2
24 X 42	1	1	2
24 X 48	1	1	2
24 X 54	1	1	2
24 X 60	1	1	3
24 X 66	1	1	3
24 X 72	1	1	3
30 X 24	1	1	1
30 X 30	1	1	1
30 X 36	1	1	2
30 X 42	1	1	2
30 X 48	1	1	2
30 X 54	1	1	2
30 X 60	1	1	3
30 X 66	1	1	3
30 X 72	1	1	3
36 X 24	2	2	1
36 X 30	2	2	1
36 X 36	2	2	2
36 X 42	2	2	2
36 X 48	2	2	2
36 X 54	2	2	2
36 X 60	2	2	3
36 X 66	2	2	3
36 X 72	2	2	3
42 X 24	2	2	1
42 X 30	2	2	1
42 X 36	2	2	2
42 X 42	2	2	2
42 X 48	2	2	2
42 X 54	2	2	2
42 X 60	2	2	3
42 X 66	2	2	3
42 X 72	2	2	3
48 X 24	2	2	1
48 X 30	2	2	1
48 X 36	2	2	2
48 X 42	2	2	2
48 X 48	2	2	2
48 X 54	2	2	3
48 X 60	2	2	3
48 X 66	2	2	3
48 X 72	2	2	3
54 X 24	2	2	1
54 X 30	2	2	1
54 X 36	2	2	2
54 X 42	2	2	2
54 X 48	2	2	2
54 X 54	2	2	2
54 X 60	2	2	3
54 X 66	2	2	3
54 X 72	2	2	3
60 X 24	3	3	1
60 X 30	3	3	1
60 X 36	3	3	2
60 X 42	3	3	2
60 X 48	3	3	2
60 X 54	3	3	2
60 X 60	3	3	3
60 X 66	3	3	3
60 X 72	3	3	3
72 X 24	3	3	1
72 X 30	3	3	1
72 X 36	3	3	2
72 X 42	3	3	2
72 X 48	3	3	2
72 X 54	3	3	2
72 X 60	3	3	3
72 X 66	3	3	3
72 X 72	3	3	3

**ANCHOR CAPACITY CHART  
XOX**

WINDOW SIZE IN INCHES	MIN. QUANTITY OF #8 SCREW ANCHORS		
	@ SILL	@ HEAD	@ EA. JAMB
48 X 24	2	2	2
48 X 36	2	2	2
48 X 48	2	2	2
48 X 60	2	2	3
60 X 24	3	3	2
60 X 36	3	3	2
60 X 48	3	3	2
60 X 60	3	3	3
72 X 24	3	3	2
72 X 36	3	3	2
72 X 48	3	3	2
72 X 60	3	3	3
84 X 24	4	4	2
84 X 36	4	4	2
84 X 48	4	4	2
84 X 60	4	4	3
96 X 24	4	4	2
96 X 36	4	4	2
96 X 48	4	4	2
96 X 60	4	4	3
108 X 24	5	5	2
108 X 36	5	5	2
108 X 48	5	5	2
108 X 60	5	5	3
120 X 24	5	5	2
120 X 36	5	5	2
120 X 48	5	5	2
120 X 60	5	5	3

**NOTES:**  
 1) SHIM AS REQ'D. AT EACH INSTALLATION ANCHOR WITH LOAD BEARING SHIM, MAX ALLOWABLE SHIM STACK TO BE 1/4". USE SHIMS WHERE SPACE IS GREATER THAN 1/16".  
 2) WINDOW FRAME MATERIAL: ALUMINUM ALLOY 6063.  
 3) CONCRETE SCREW ANCHORS AT SILL MUST BE OF SUFFICIENT LENGTH TO ACHIEVE MIN. 1-1/4" INTO MASONRY OR CONCRETE.  
 4) USE LATEX CAULK BEHIND WINDOW FLANGE AT HEAD, JAMBS & SILL.  
 5) USE LATEX CAULK FOR PERIMETER SEAL AROUND EXTERIOR OF WINDOW FLANGE.  
 6) IF EXACT WINDOW SIZE IS NOT LISTED IN ANCHOR CHART, USE ANCHOR QUANTITY LISTED WITH NEXT LARGER SIZE.  
 7) GLASS THICKNESS MAY VARY PER THE REQUIREMENTS OF ASTM E1300 GLASS CHARTS. INSULATING GLASS IS SHOWN, SINGLE GLAZING ALSO QUALIFIED.  
 8) ANCHOR QUANTITIES ON CHART ARE MIN. QUANTITIES, ALL FACTORY APPLIED HOLES IN HEAD AND JAMBS SHOULD BE FILLED WITH #8 SCREWS OF SUFFICIENT LENGTH TO PROVIDE MIN. OF 1-1/8" EMBEDMENT INTO WOOD BUCK.



**DESIGN PRESSURE  
CAPACITY = ±40.0 PSF**

**CUSTOM WINDOW SYSTEMS, INC.  
OCALA, FLORIDA**

TITLE: SERIES 7000 FLG. HR WINDOW DETAILS INSTALLATION DETAILS 2 BY BUCK		
ENGINEER: MANUEL MARTINEZ	DRN: BB	DATE: 2/6/02
DISCIPLINE: CIVIL	SCALE: N.T.S.	DWG. NO: CWS0109
FL. REG. NO: 47182	REV. LETTER:	SHEET: 1 OF 1