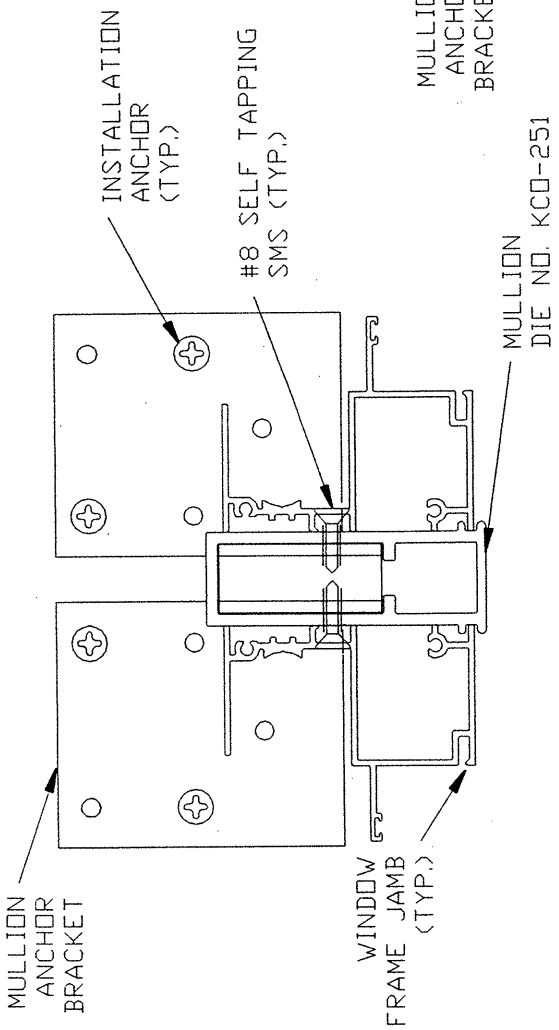
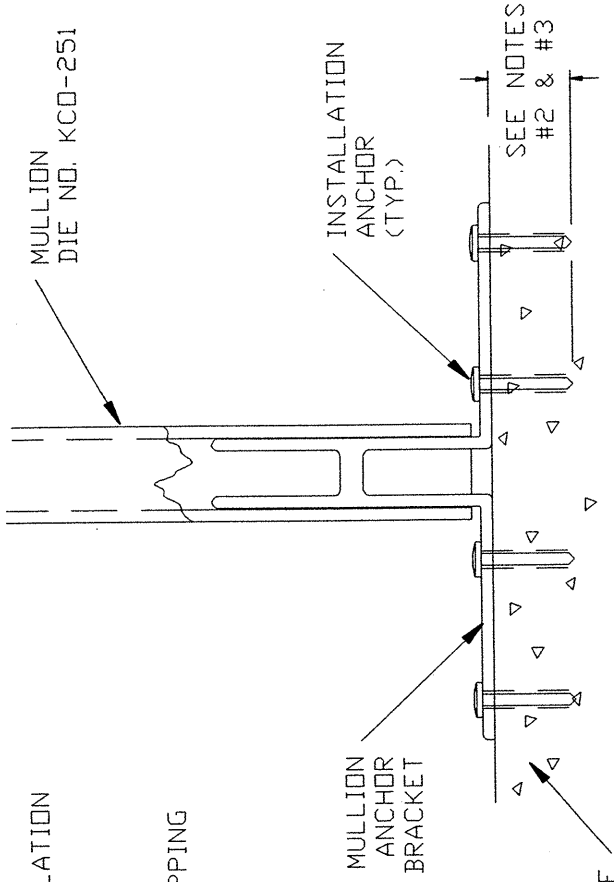


DWG NO: KJAX0061



SECTION A-A



DETAIL B-B

EXTERIOR ELEVATION

- NOTES:
- 1) MULLION INSTALLATION DETAILS APPLY TO ALUMINUM TUBE MULLION, DIE NO. KCO-251, WHEN USED TO MULL MP SERIES SINGLE HUNG WINDOWS SIDE BY SIDE.
 - 2) IN MASONRY CONSTRUCTION, ATTACH MULLION TO SUBSTRATE WITH FOUR (4) 3/16" DIA. CONCRETE SCREW ANCHORS OF SUFFICIENT LTH. TO ACHIEVE 1-1/4" MIN. EMBEDMENT INTO CONCRETE OR MASONRY.
 - 3) IN WOOD FRAME CONSTRUCTION, ATTACH MULLION TO SUBSTRATE USING FOUR (4) #10 SCREWS OF SUFFICIENT LTH. TO ACHIEVE 1-3/8" MIN. EMBEDMENT INTO WOOD FRAMING.
 - 4) MULLION AND ATTACHMENT ARE IN COMPLIANCE WITH THE REQUIREMENTS OF THE FLORIDA BUILDING CODE AT THE DESIGN PRESSURES SHOWN ON CHART ON BACK OF THIS SHT.

KINCO, LTD.
JACKSONVILLE, FLORIDA

TITLE: INSTALLATION DETAILS
FIN MP SERIES VERTICAL MULLION

AREA: -----	DRN: JS	APRYD: -----	DATE: 3/24/02
WT/FT: -----	SCALE: HALF	MATL: -----	DWG NO: KJAX0061

KINCO, LTD.**FIN****ALUMINUM MULLION, DIE #KCO-251****MP SERIES FIN SINGLE HUNG WINDOW****COMPARATIVE CHART IN DESIGN PRESSURE - PSF**

WDW. WTH. > WDW. HGT. V	24.000	28.000	32.000	36.000	40.000	44.000	48.000
28.000	383	375	375	375	375	375	375
36.000	255	238	230	227	227	227	227
44.000	191	175	164	157	153	152	152
52.000	153	138	128	120	115	111	109
60.000	128	114	104	97	92	88	85
72.000	102	90	82	76	71	67	64
78.000	87	77	70	64	60	56	53

CHART APPLIES ONLY TO MULLION KCO-251 WHEN USED TO MULL MP SERIES FIN SINGLE HUNG WINDOWS.

READ WINDOW WIDTH AND HEIGHT IN INCHES

DESIGN PRESSURE VALUES ON THIS CHART ARE IN PSF

WINDOW WIDTHS AND HEIGHTS LISTED ABOVE ARE SINGLE WINDOW SIZES

DESIGN PRESSURE VALUES APPLY TO MULLION WHERE TWO OR MORE WINDOWS ARE INSTALLED IN A SINGLE OPENING.

ATTACH MULLION TO SUBSTRATE AS FOLLOWS:

CONCRETE OR MASONRY SUBSTRATE - ATTACH EACH END OF MULLION TO STRUCTURE USING FOUR 3/16 IN. DIA. TAPCON TYPE ANCHORS OF SUFFICIENT LENGTH TO ACHIEVE 1-1/4 IN. MIN. EMBEDMENT.

WOOD FRAME SUBSTRATE - ATTACH EACH END OF MULLION TO STRUCTURE USING FOUR #10 SCREWS OF SUFFICIENT LENGTH TO ACHIEVE 1-3/8 IN. MIN. EMBEDMENT.

PREPARED BY:

PRODUCT TECHNOLOGY CORPORATION

250 INTERNATIONAL PARKWAY

SUITE 250

HEATHROW, FLORIDA 32746

PHONE 407 805-0365 / FAX 407 805-0366

CA010453

24-Mar-2002

01-0920