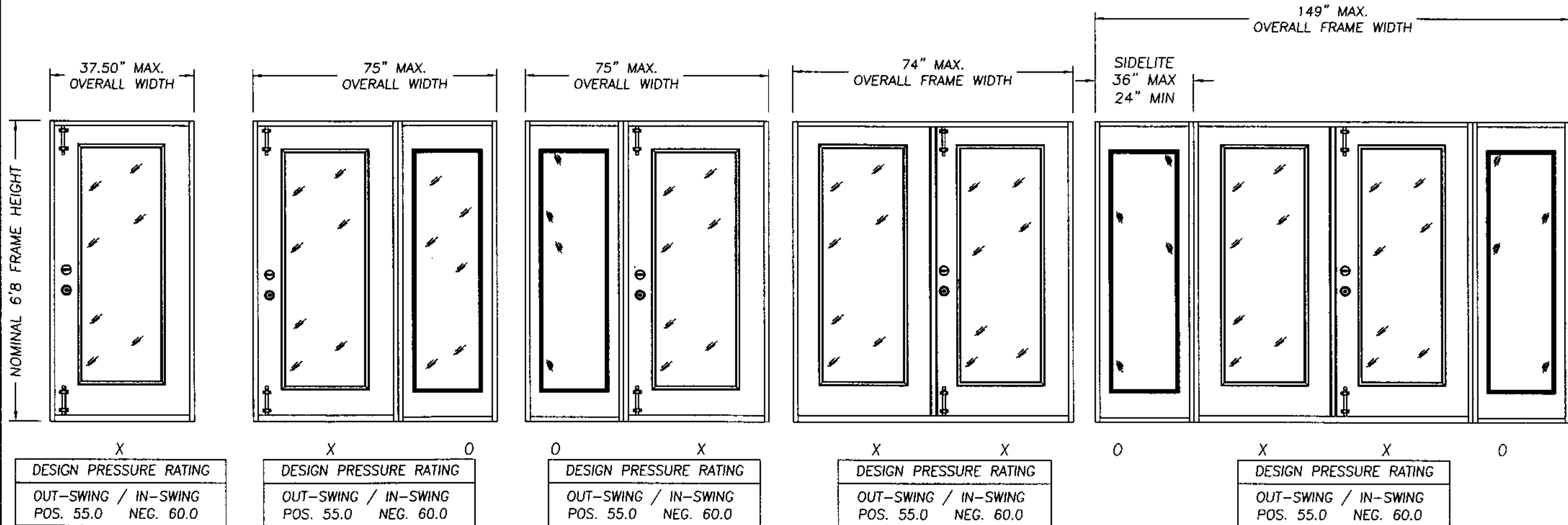


# Taylor Door®

STEEL EDGE GLAZED IMPACT RESISTANT STEEL DOOR  
OUT-SWING / IN-SWING 6-8 UNITS W/ & W/OUT SIDELITES



### GENERAL NOTES

1. THIS PRODUCT IS DESIGNED TO COMPLY WITH THE FLORIDA BUILDING CODE.
2. PRODUCT ANCHORS SHALL BE AS LISTED AND SPACED AS SHOWN ON DETAILS.
3. THE UNITS MEET WINDBORNE DEBRIS EXTERNAL PROTECTION AS DESCRIBED IN SECTION 1626.1 OF THE FLORIDA BUILDING CODE WHEN USED IN WINDBORNE DEBRIS AREAS.
4. FOR INSWING MASONRY ANCHORING SEE SHEET 2 OF 6.
5. FOR OUTSWING MASONRY ANCHORING SEE SHEET 3 OF 6.
6. FOR INSWING POURED CONCRETE ANCHORING SEE SHEET 4 OF 6.
7. FOR OUTSWING POURED CONCRETE ANCHORING SEE SHEET 5 OF 6.
8. FOR INSWING/OUTSWING WOOD STUD ANCHORING SEE SHEET 6 OF 6.

### PRODUCT DESCRIPTION

1. THE DOOR FACE SHEETS ARE 24 GA. (0.021") MIN. THICKNESS.
2. THE DOOR PANELS AND SIDELITES ARE FORMED WITH TWO STEEL SKINS WITH A NINETY-DEGREE BREAK AND MECHANICALLY INTERLOCKED.
3. THE INTERIOR DOOR CAVITY OF EACH PANEL IS FILLED WITH A POLYURETHANE FOAM CORE.
4. THE DOOR AND SIDELITE GLAZING ARE PVC FRAME LIP LITE MATERIAL MACHINED AND ASSEMBLED BY THORNTON INDUSTRIES INTO A 1.0" MAX. IMPACT RESISTANT INSULATED ANNEALED/LAMINATED GLASS LITE INSERT. THE IMPACT LITE CONSISTING OF 1/8" ANNEALED GLASS - INNER LAYER 0.090" PVB - 1/8" ANNEALED GLASS AND CAN BE USED AS INBOARD OR OUTBOARD LITE. DECORATIVE LITE UNITS ARE 1.0" OVERALL GLASS THICKNESS.
5. THE WOOD JAMBS ARE A MIN. 4-9/16".
6. THE THRESHOLD IS AN ALUMINUM BUMP FACE TYPE (OUTSWING) OR AN ALUMINUM SADDLE TYPE (INSWING).
7. ALL LATCHBOLT AND DEADBOLT HARDWARE MUST BE CYLINDRICAL GRADE II WITH A 161 EDGE PREP AND A MINIMUM 1.0" DEADBOLT THROW.
8. SIDELITE OVERALL WIDTH: 36" MAX, 24" MIN

Lyndon F. Schmidt  
Florida P. E. No. 43409  
19506 French Lace Drive Lutz, FL 33558

OCTOBER 22, 2002

**TAYLOR**  
STEEL EDGE GLAZED IMPACT RESISTANT STEEL DOORS  
TAYLOR BUILDING PRODUCTS, INC.  
631 NORTH FIRST STREET  
WEST BRANCH, MICHIGAN 48661  
PH. (517) 345-5110 FAX. (517) 345-5116

PRODUCT: TAYLOR DOOR  
STEEL EDGE STEEL DOOR  
GLAZED W/NO SIDELITES

PART OR ASSEMBLY:  
GENERAL NOTES &  
TYPICAL ELEVATIONS

NO.	DATE	BY	REVISIONS

RW BUILDING  
CONSULTANTS, INC.  
813.659.9197

DATE: 10/18/02

SCALE: N.T.S.

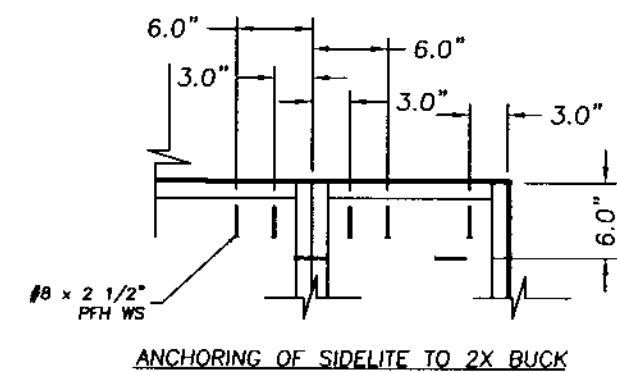
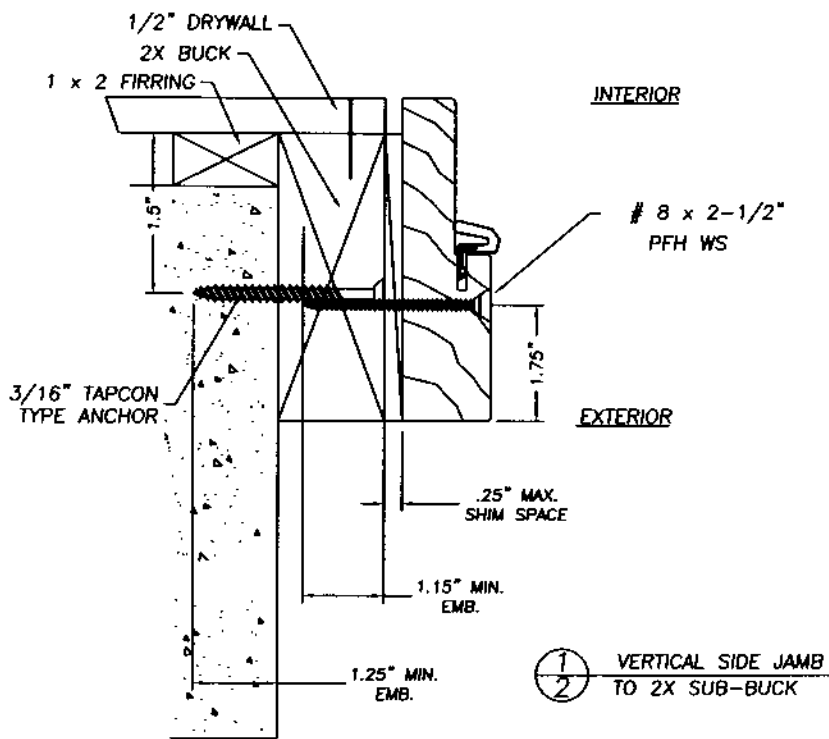
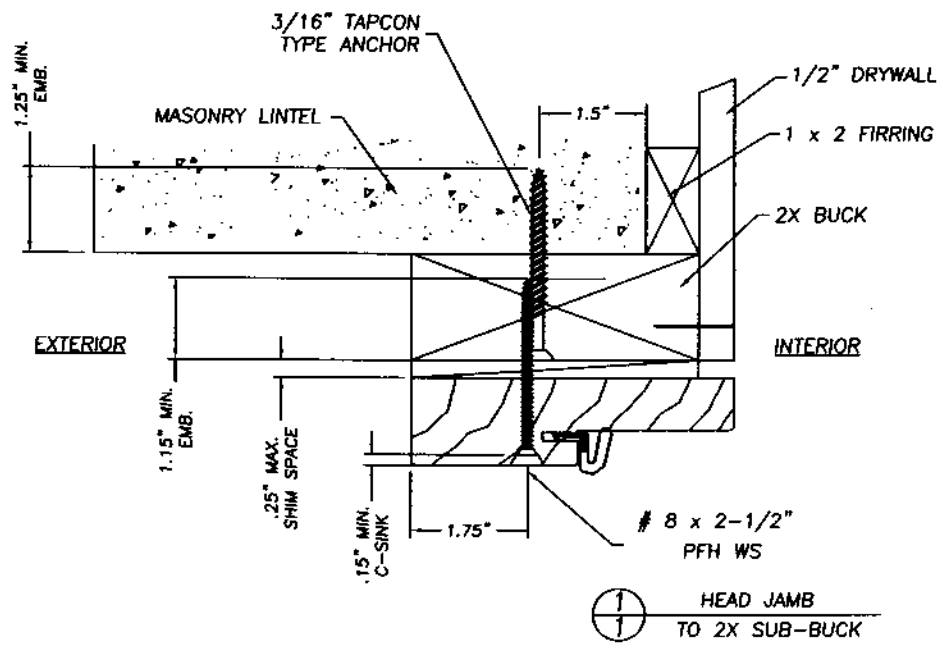
DWG. BY: ZRK

CHK. BY: RW

DRAWING NO.:

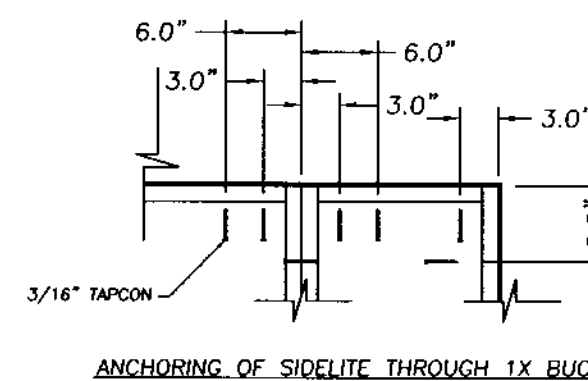
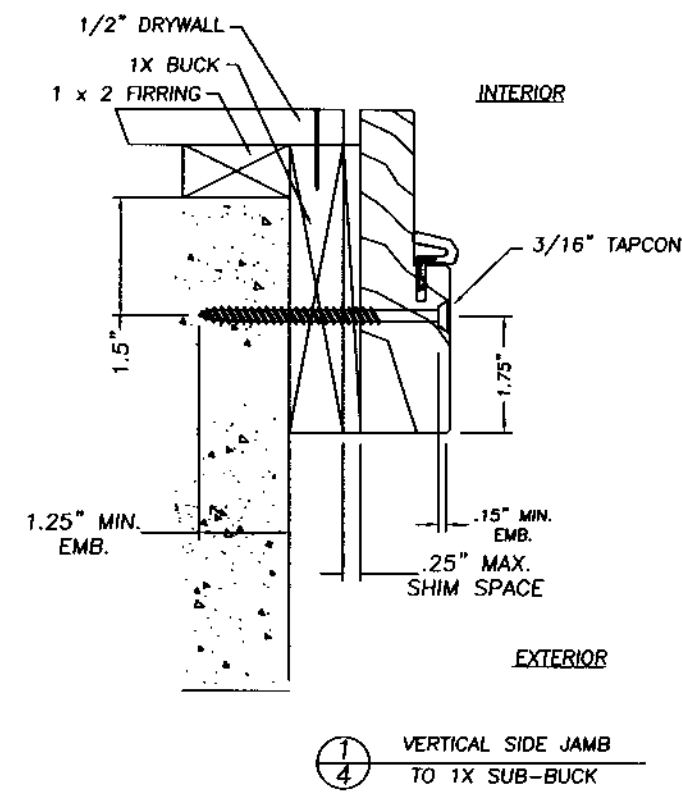
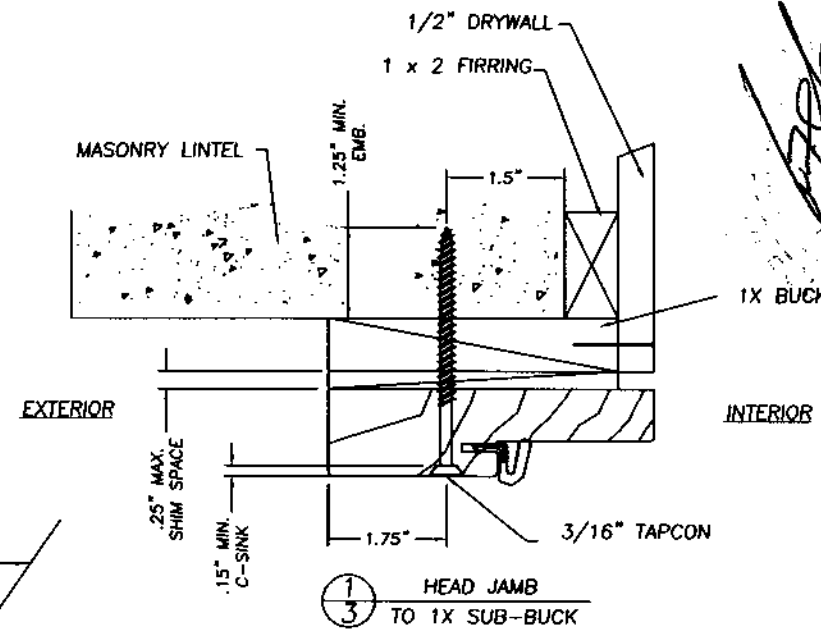
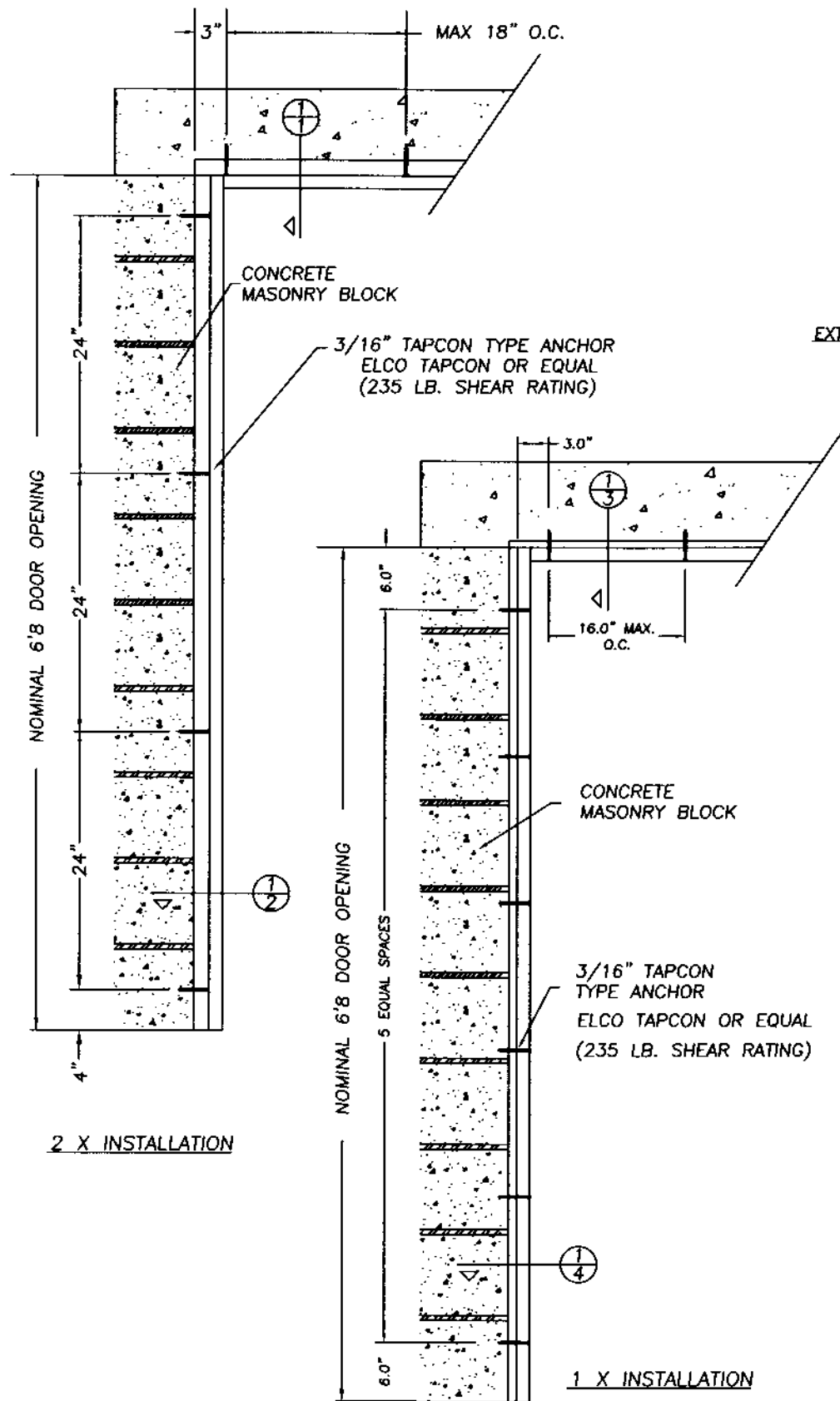
TAY-108-OC

SHEET 1 OF 6



NOTE:

A minimum clearance of 2.0" for all anchoring screws to mortar joints must be maintained.



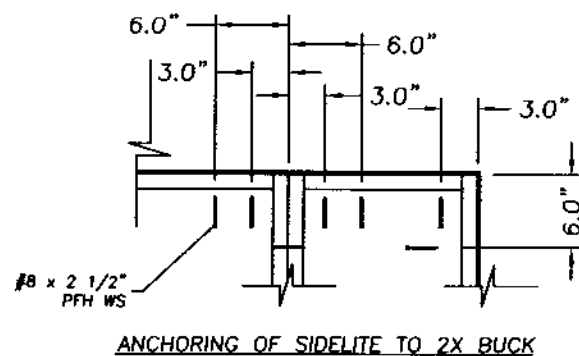
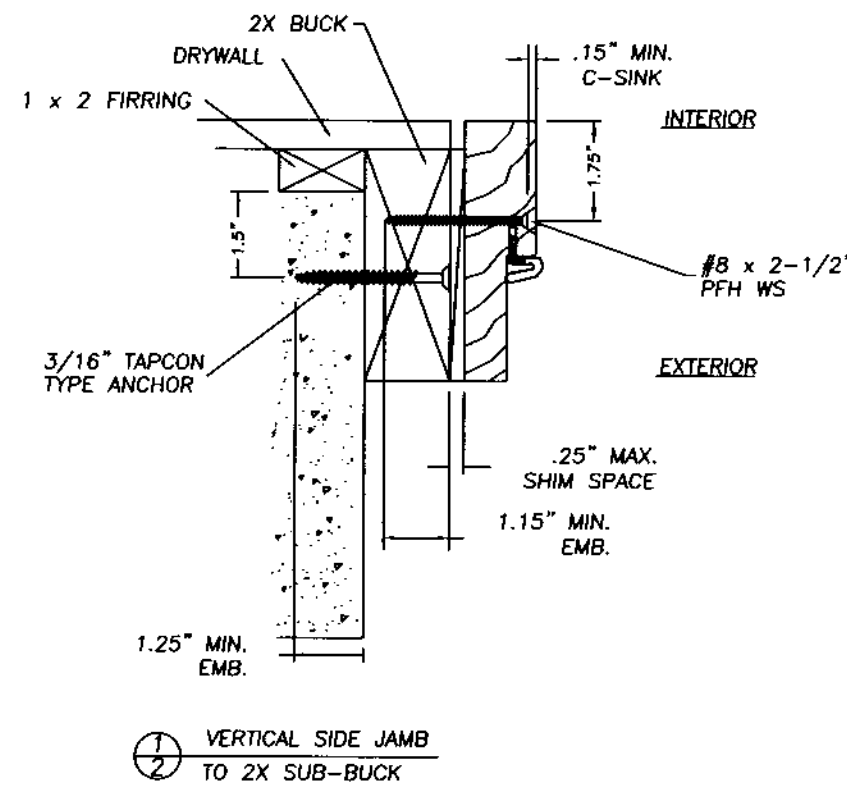
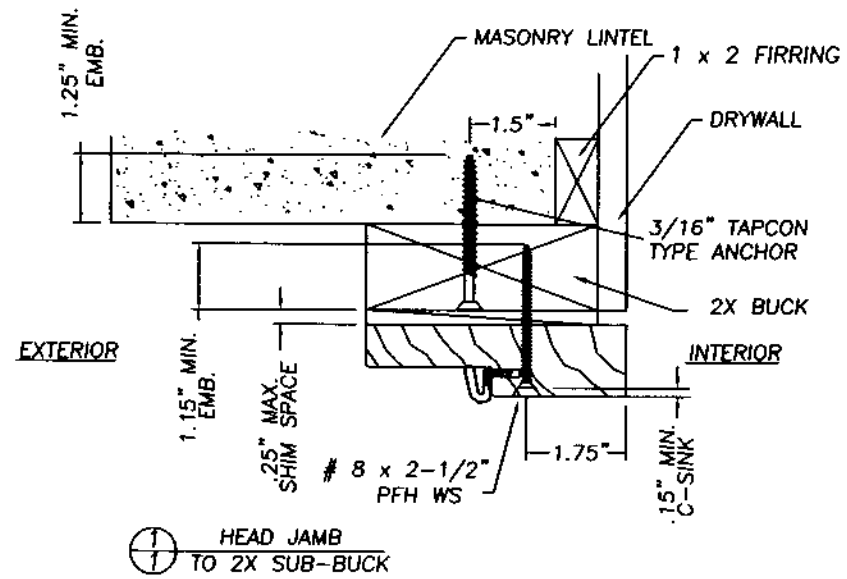
October 22, 2002  
 Lyndon F. Schmidt  
 Florida P. E. No. 43409  
 19506 French Lace Drive  
 Lutz, FL 33558

**TAYLOR**  
 TAYLOR BUILDING PRODUCTS, INC.  
 631 NORTH FIRST STREET  
 WEST BRANCH, MICHIGAN 48661  
 PH. (517) 345-5110 FAX. (517) 345-5116

ANCHOR CROSS SECTIONS  
 MASONRY 6'8"  
 IN-SWING WOOD FRAME

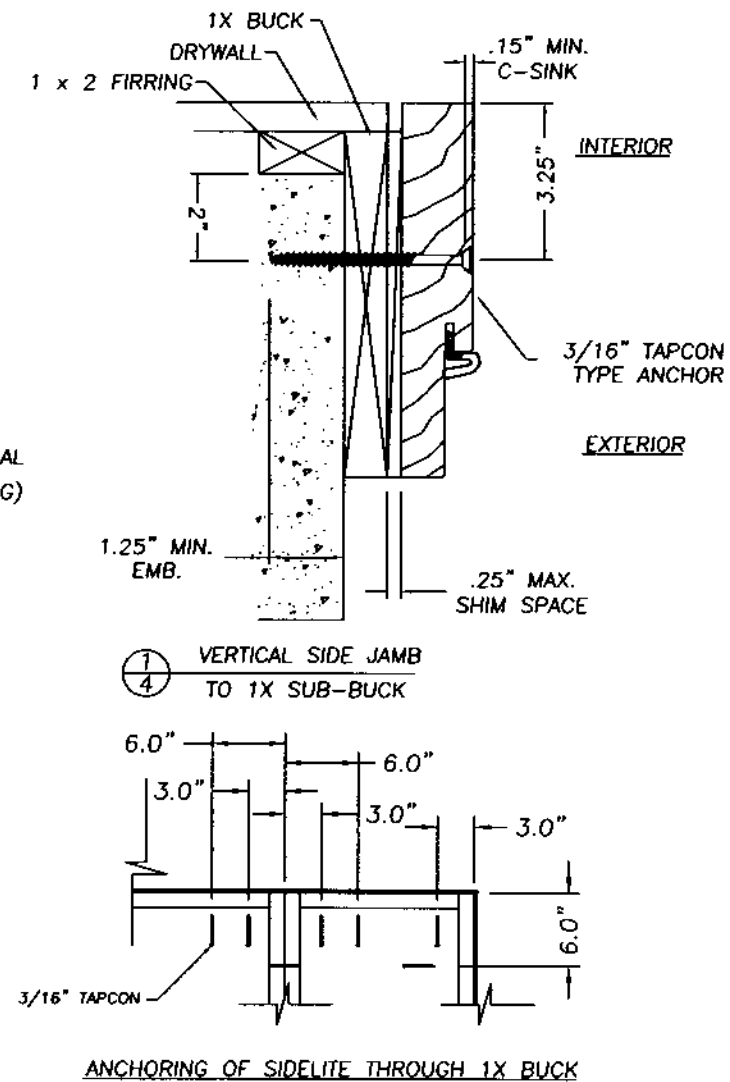
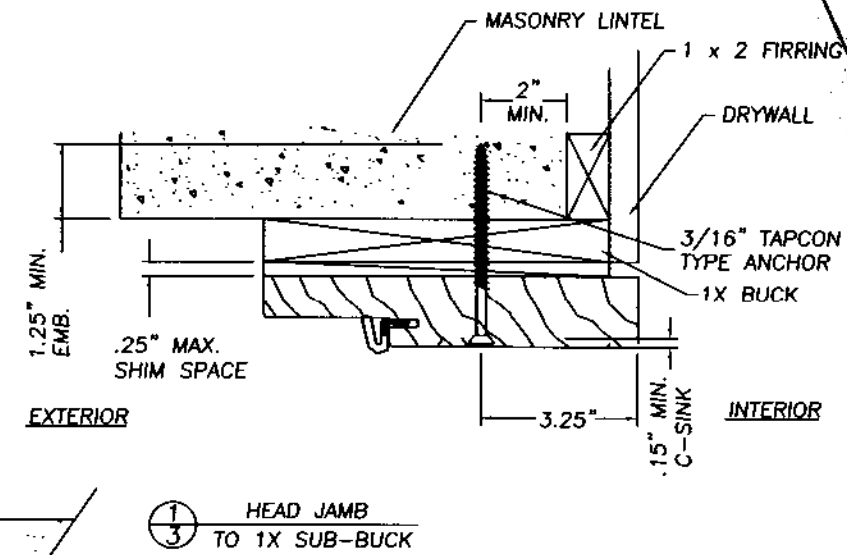
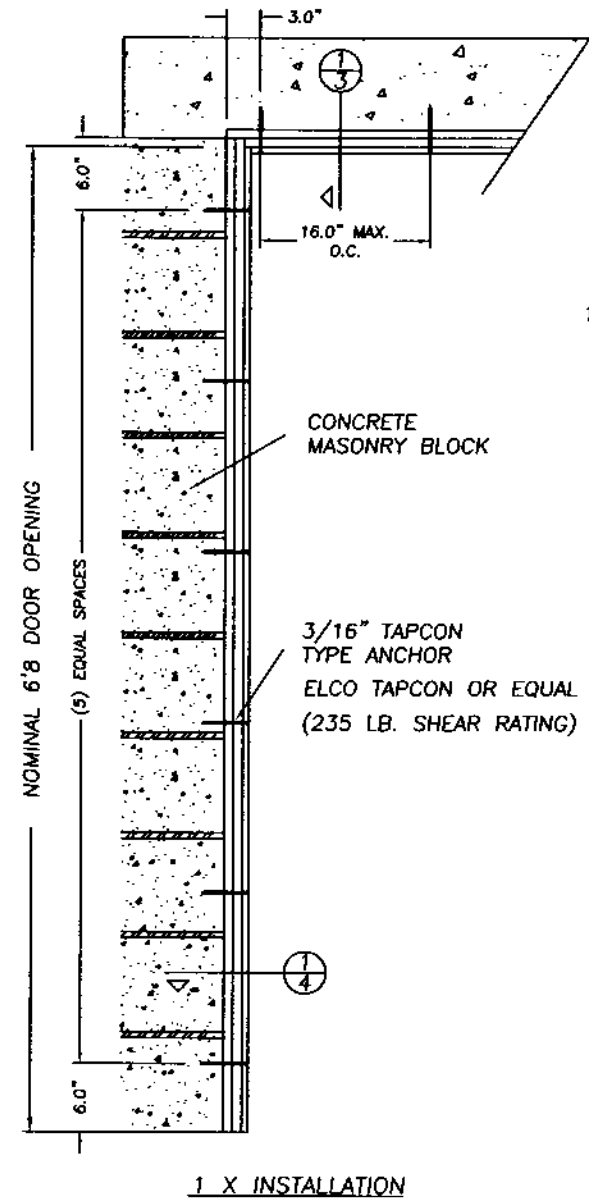
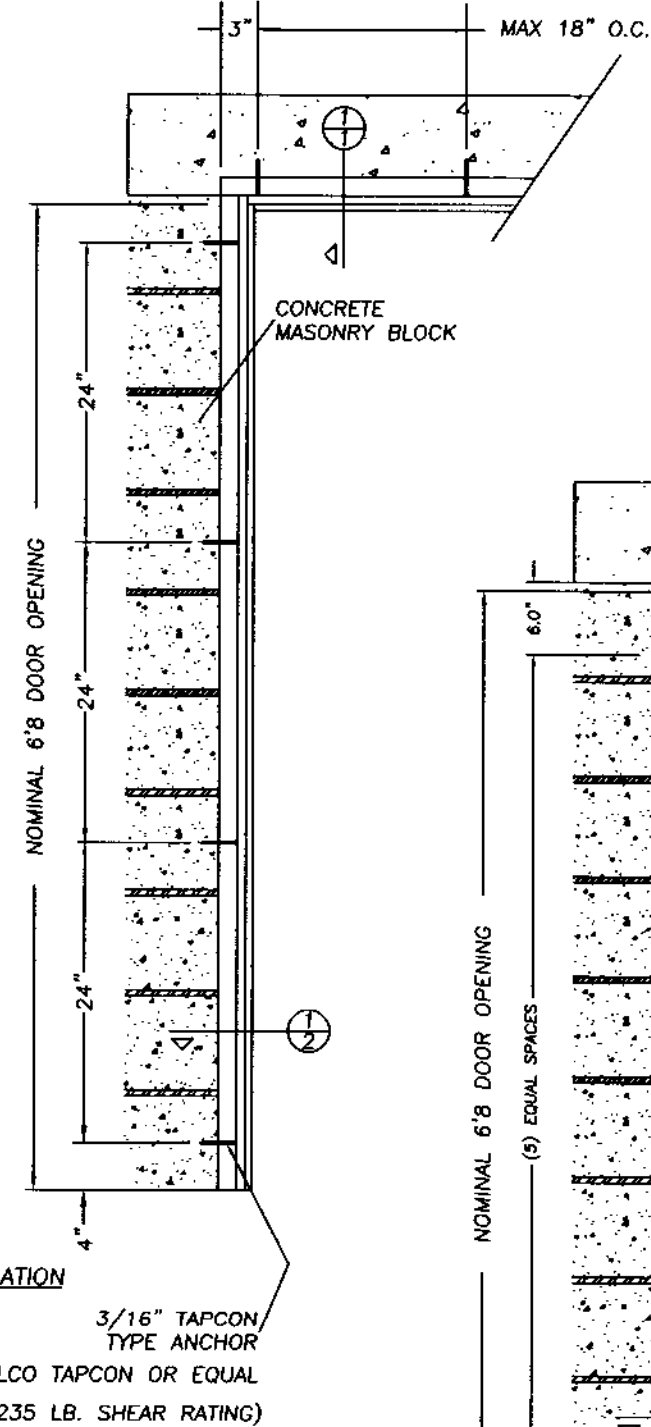
RW BUILDING CONSULTANTS, INC.  
 813.659.9197

DATE: 10/18/02  
 SCALE: NTS  
 DWG. BY: ZRK  
 CHK. BY: RW  
 DRAWING NO.: TAY-108-OC  
 SHEET 2 of 6



**NOTE:**

1. When using a 1X sub-buck a 6-9/16" jamb is required to allow for min. edge spacing for Tapcon type anchors.
2. A minimum clearance of 2.0" for all anchoring screws to mortar joints must be maintained.



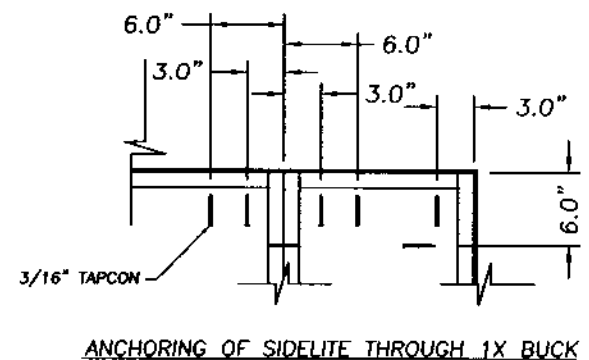
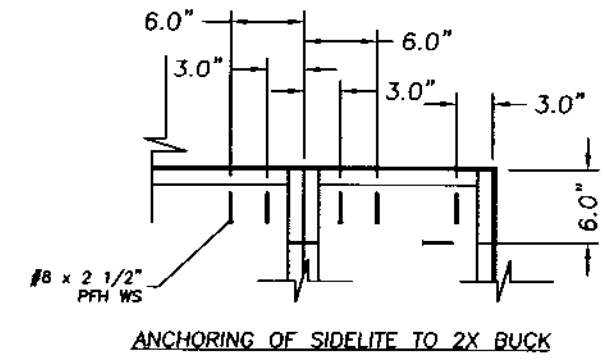
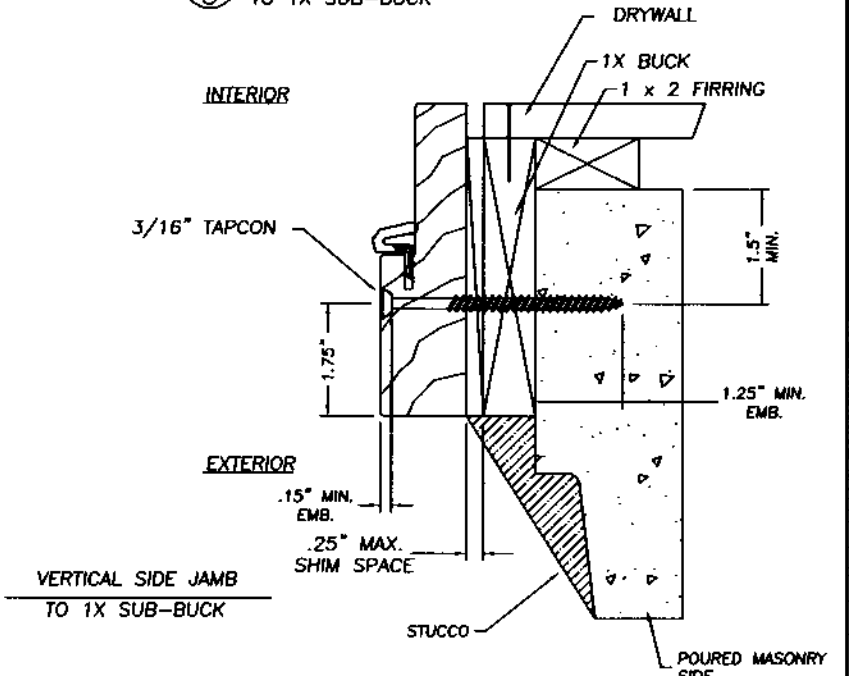
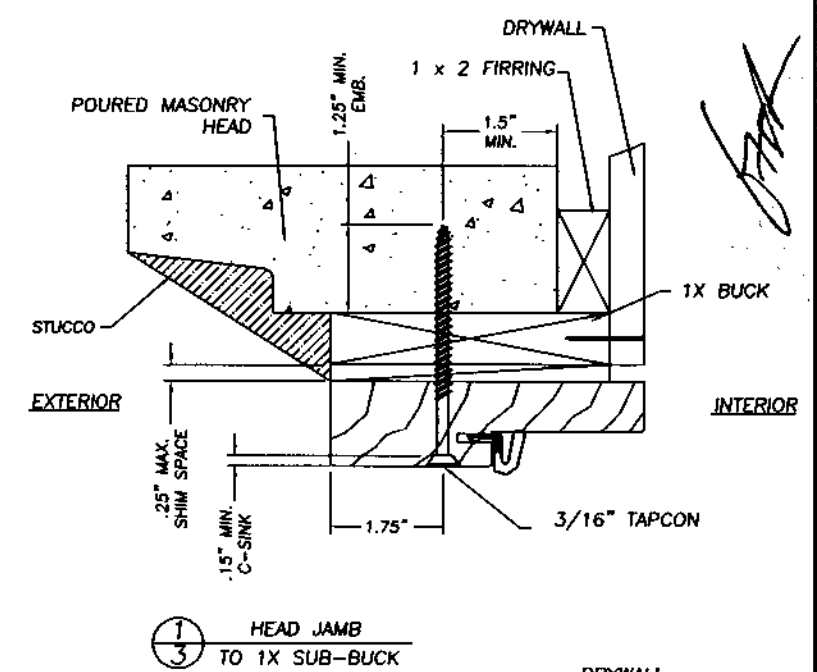
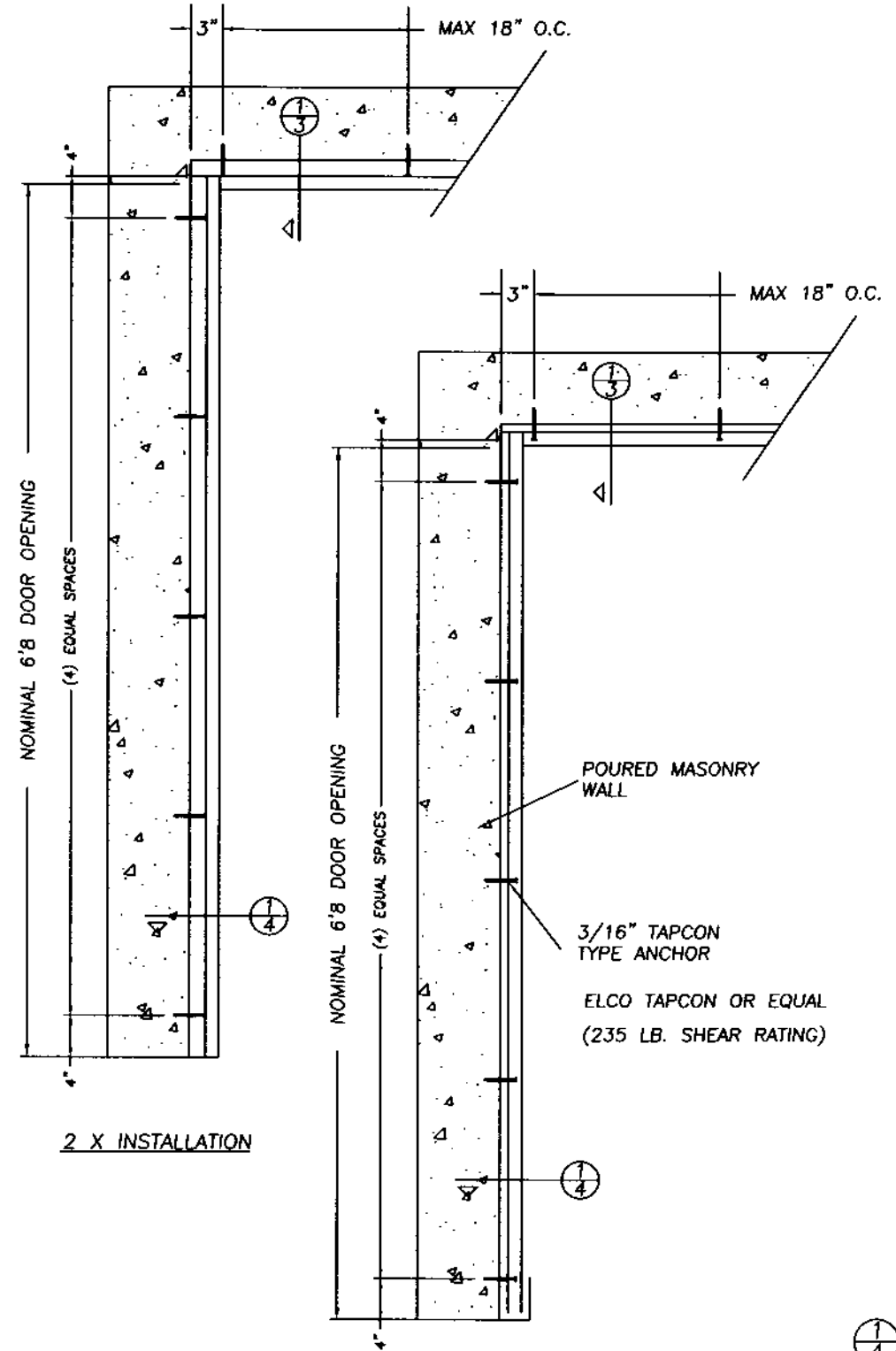
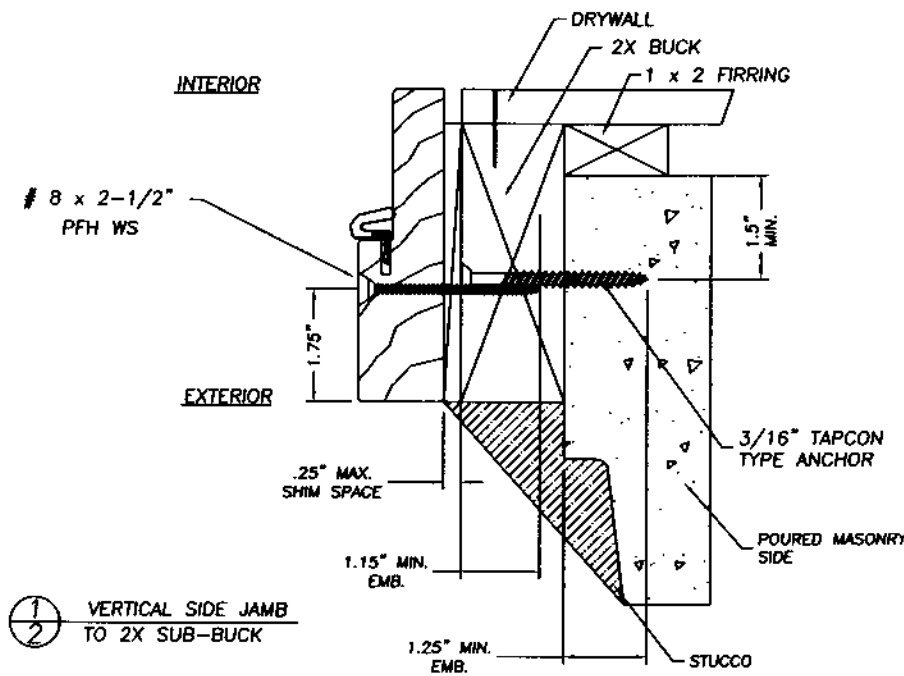
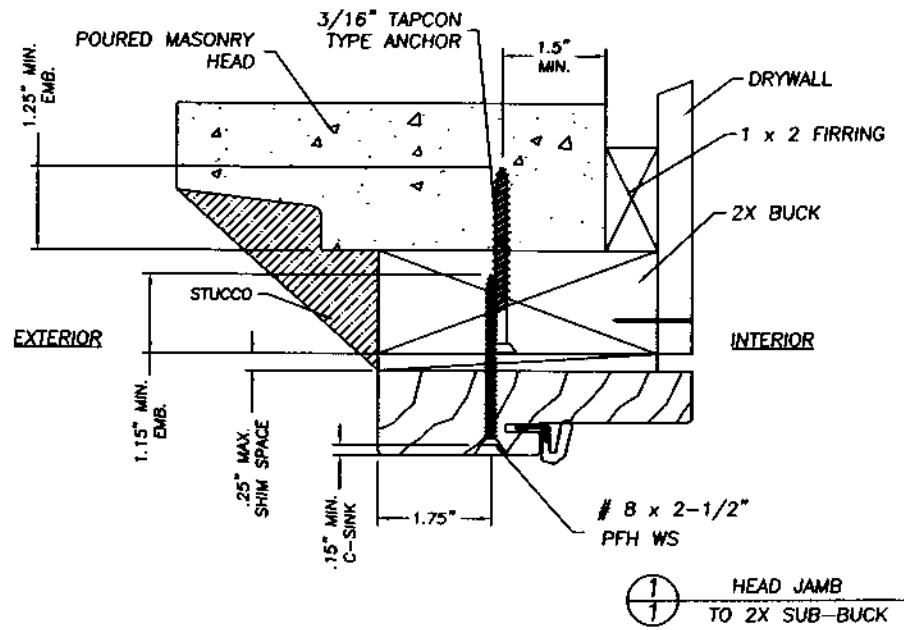
October 22, 2002  
Lyndon F. Schmidt  
Florida - P. E. No. 43409  
19506 French Lace Drive  
Lutz, FL 33558

**TAYLOR**  
BUILDING PRODUCTS, INC.  
637 NORTH FIRST STREET  
WEST BRANCH, MICHIGAN 48861  
PH: (517) 345-5110 FAX: (517) 345-5116

ANCHOR CROSS SECTIONS  
MASONRY 6'8"  
OUT-SWING WOOD FRAME

**RW** BUILDING  
CONSULTANTS, INC.  
813.659.9197

DATE: 10/18/02  
SCALE: NTS  
DWG. BY: ZRK  
CHK. BY: RW  
DRAWING NO.: TAY-108-OC  
SHEET 3 OF 6



NOTE:  
2500 PSI minimum concrete required for anchoring shown above.

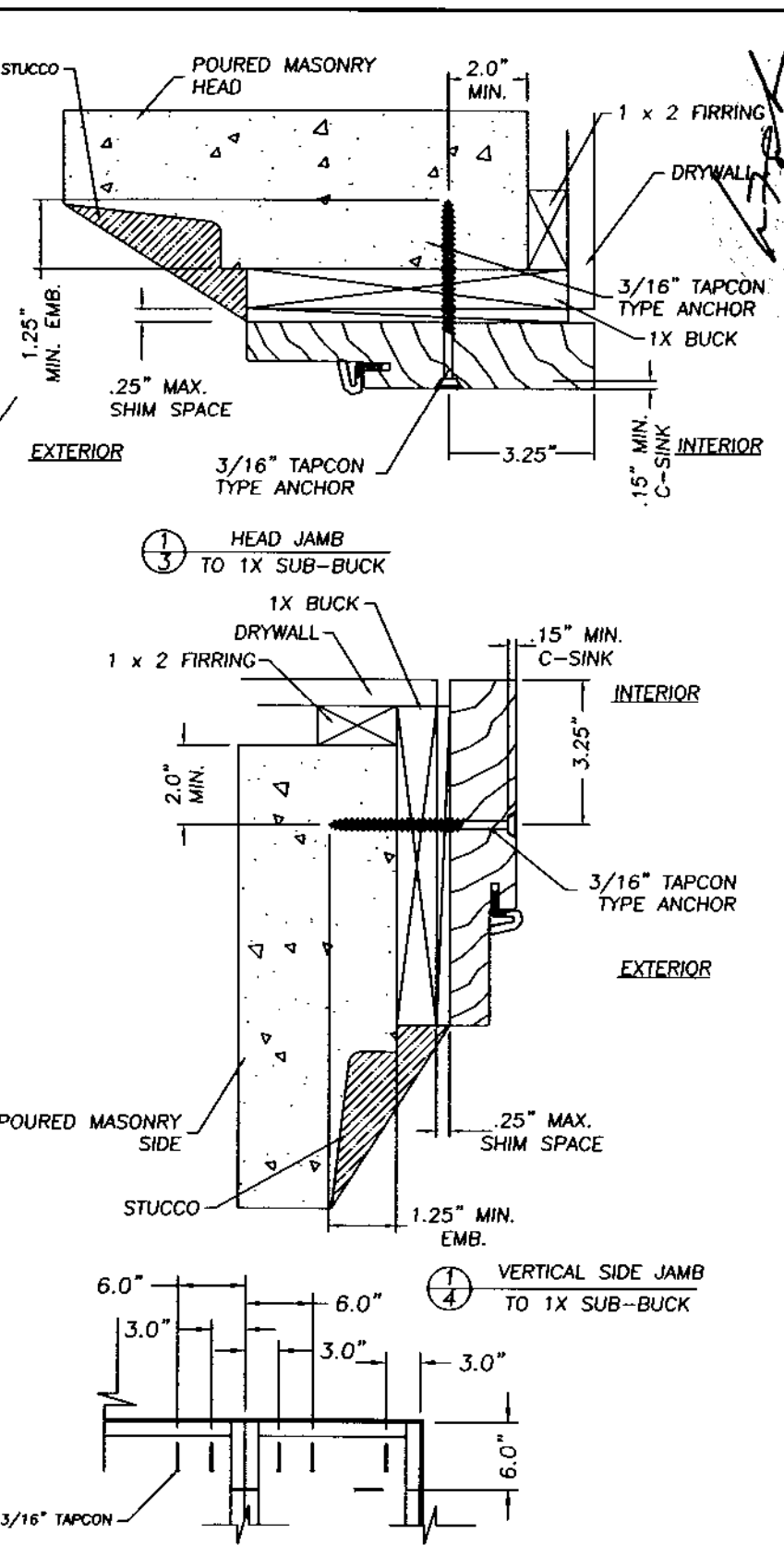
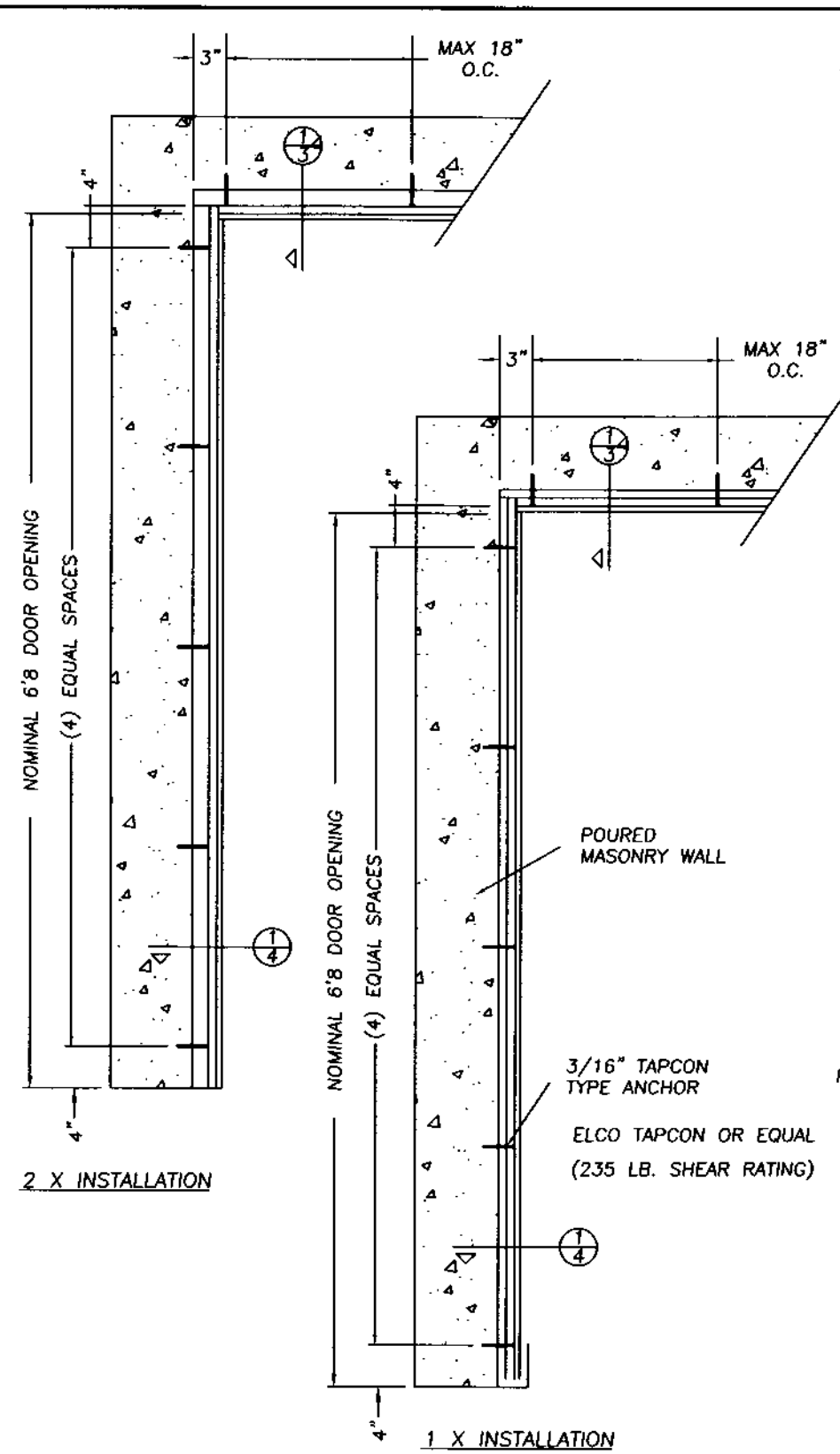
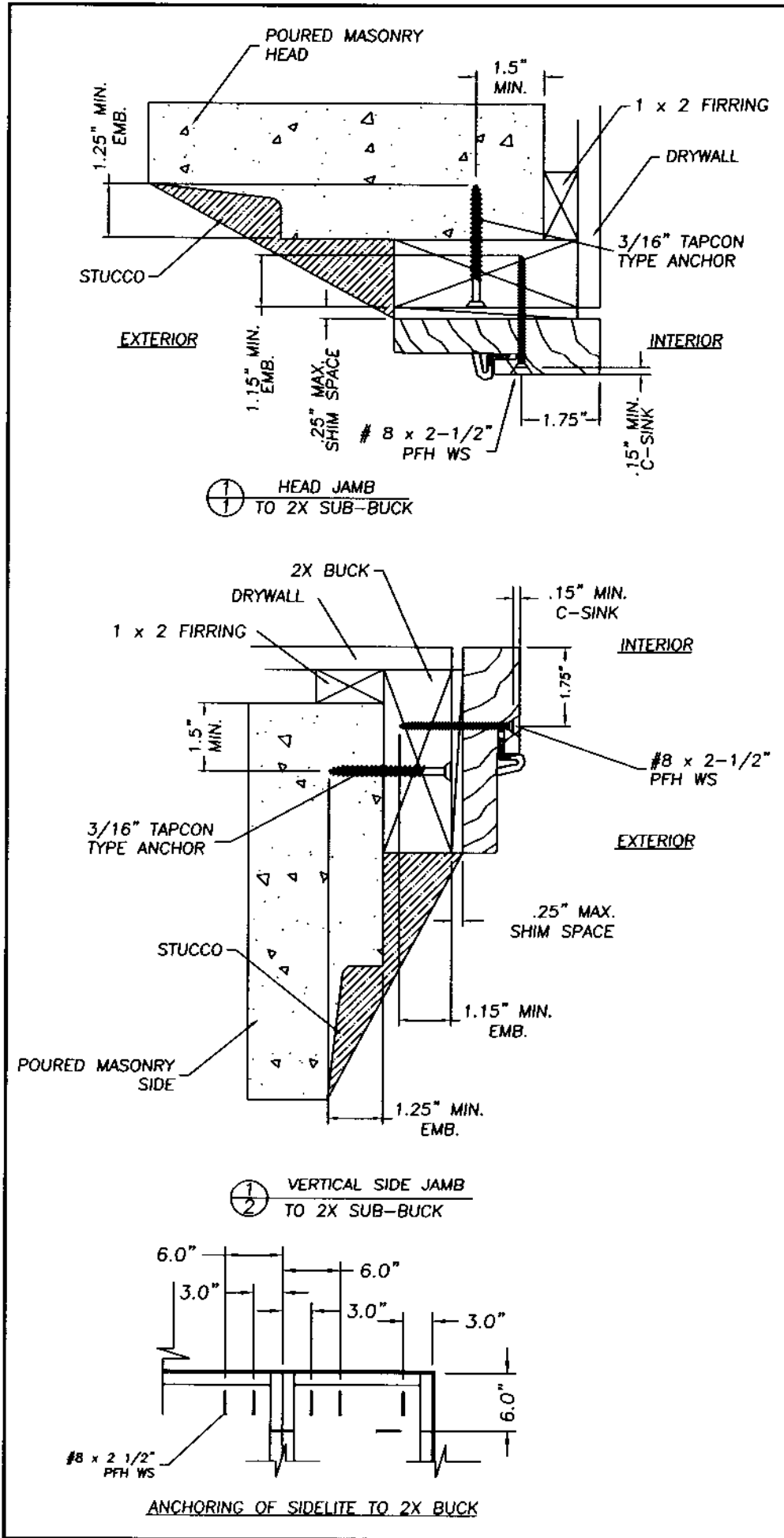
October 22, 2002  
Lyndon F. Schmidt  
Florida P. E. No. 43409  
19506 French Lace Drive  
Lutz, FL 33558

**TAYLOR**  
AMERICA'S DOORMASTER  
TAYLOR BUILDING PRODUCTS, INC.  
631 NORTH FIRST STREET  
WEST BRANCH, MICHIGAN 48661  
PH. (989) 345-5110 FAX. (989) 345-5116

ANCHORING CROSS SECTIONS  
FOR POURED WALL  
CONSTRUCTION 6'8"  
IN-SWING WOOD FRAME

**RW** BUILDING  
CONSULTANTS, INC.  
813.659.9197

DATE: 10/18/02  
SCALE: N.T.S.  
DWG. BY: ZRK  
CHK. BY: RW  
DRAWING NO.:  
TAY-108-0C  
SHEET 4 OF 6



**NOTES:**  
 1. When using a 1X sub-buck a 6-9/16" jamb is required to allow for min. edge spacing for Tapcon type anchors.  
 2. 2500 PSI minimum concrete required for the anchoring shown above.

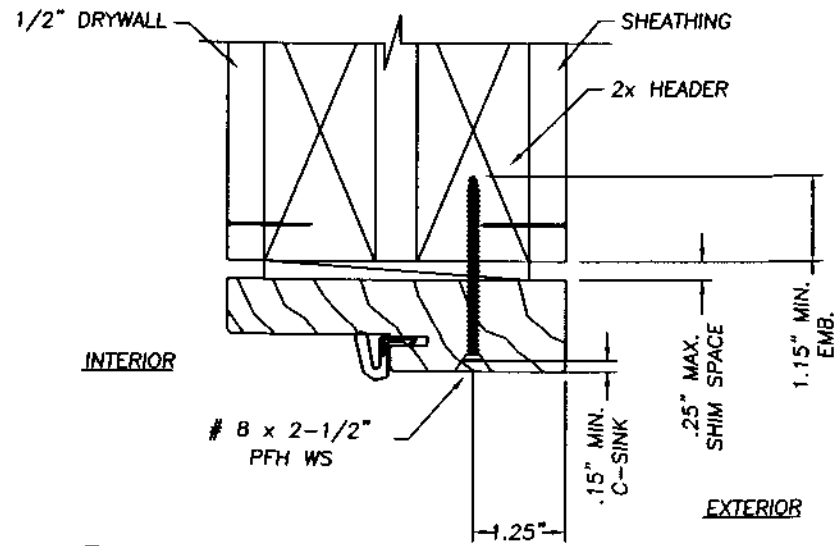
October 22, 2002  
 Lyndon F. Schmidt  
 Florida P. E. No. 43409  
 19506 French Lace Drive  
 Lutz, FL 33558

**TAYLOR**  
 TAYLOR BUILDING PRODUCTS, INC.  
 631 NORTH FIRST STREET  
 WEST BRANCH, MICHIGAN 48661  
 PH. (989) 345-5110 FAX. (989) 345-5116

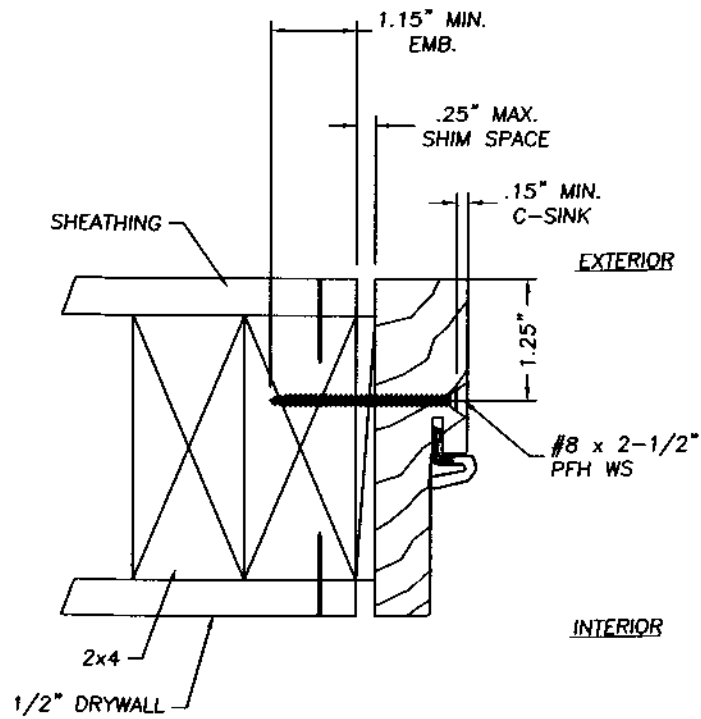
ANCHORING CROSS SECTIONS  
 FOR POURED WALL  
 CONSTRUCTION 6'8"  
 OUT-SWING WOOD FRAME

**RW** BUILDING  
 CONSULTANTS, INC.  
 813.659.9197

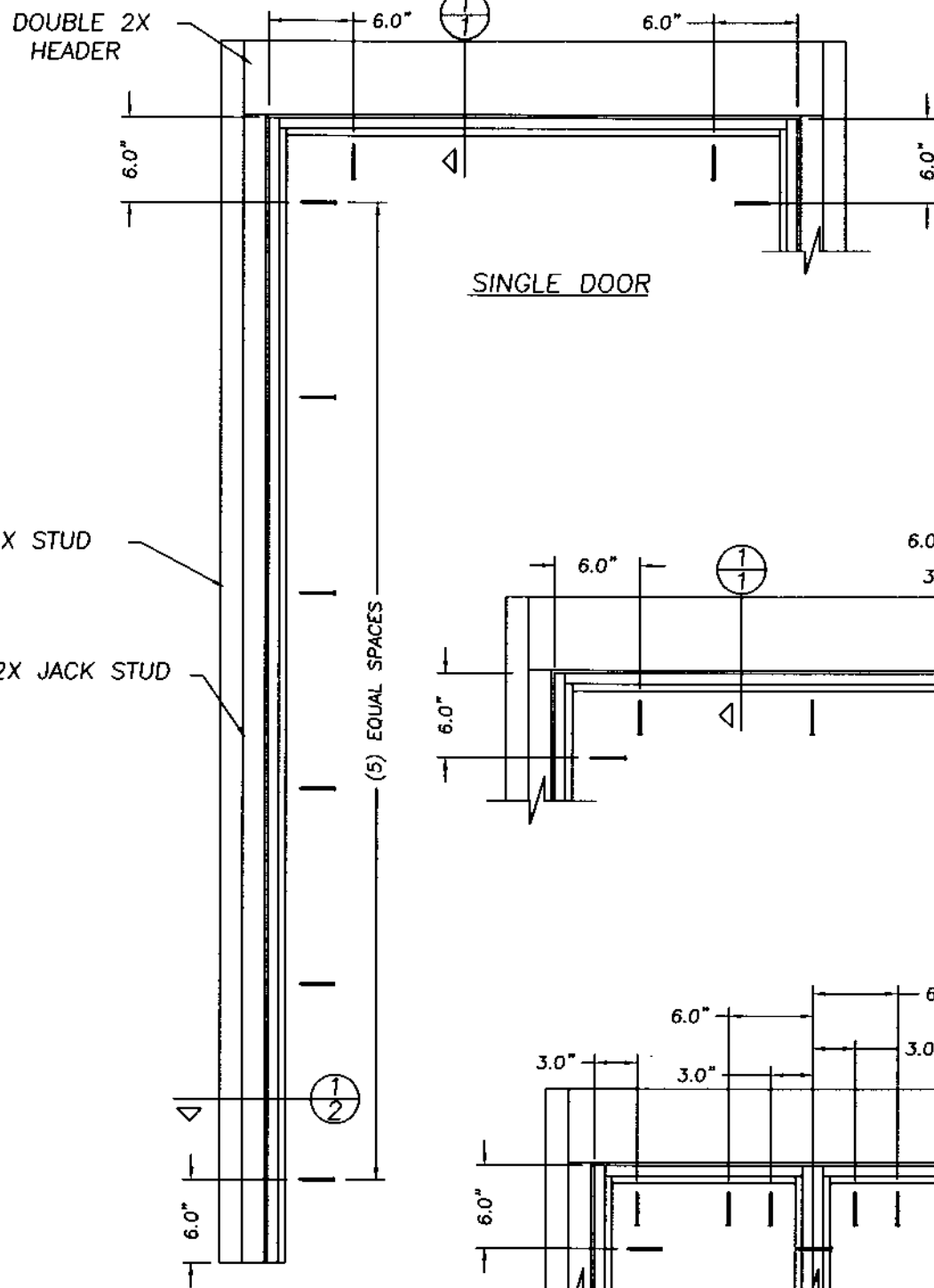
DATE: 10/16/02  
 SCALE: N.T.S.  
 DWG. BY: ZRK  
 CHK. BY: RW  
 DRAWING NO.: TAY-108-OC  
 SHEET 5 OF 6



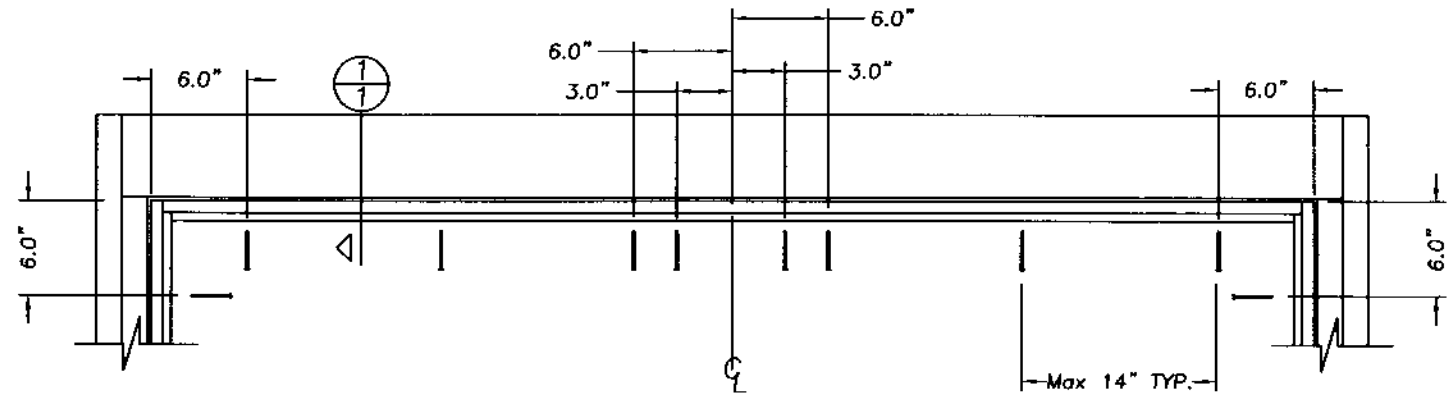
HEAD JAMB



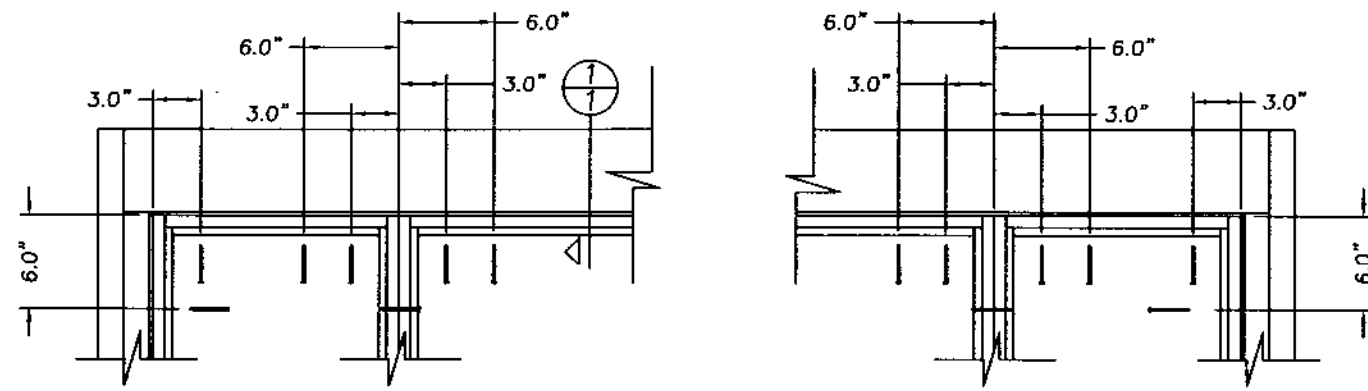
VERTICAL SIDE JAMB



SINGLE DOOR



DOUBLE DOOR



SINGLE OR DOUBLE DOOR WITH SIDELITES

*ZRK*

October 22, 2002  
 Lynden F. Schmidt  
 Florida, P.E. No. 43409  
 19506 French Lace Drive  
 Lutz, FL 33558

**TAYLOR**  
 AMERICA'S DOORMAKER  
 TAYLOR BUILDING PRODUCTS, INC.  
 631 NORTH FIRST STREET  
 WEST BRANCH, MICHIGAN 48661  
 PH. (517) 345-5110 FAX. (517) 345-5116

ANCHOR CROSS SECTIONS  
 WOOD OR STEEL STUD  
 IN-SWING / OUT-SWING  
 WOOD FRAME

**RW** BUILDING  
 CONSULTANTS, INC.  
 813.659.9197

DATE: 10/18/02  
 SCALE: NTS  
 DWG. BY: ZRK  
 CHK. BY: RW  
 DRAWING NO.: TAY-108-OC  
 SHEET 6 OF 6