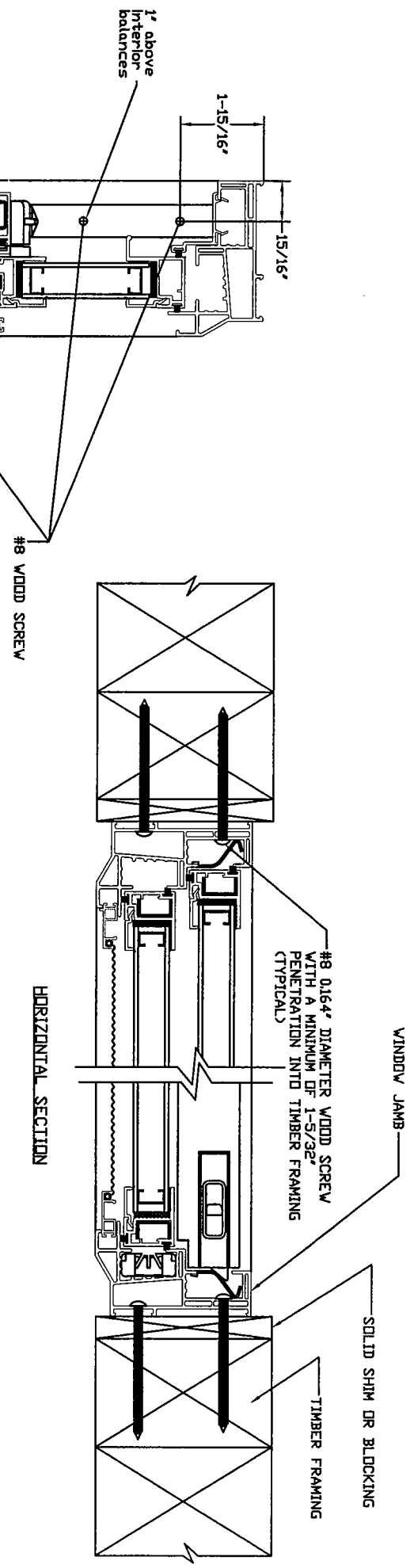


REV	DATE	DESCRIPTION	BY



Notes: The fasteners shown in these two views (6 Total per window) are capable of withstanding the wind pressures in the table with appropriate factors of safety.

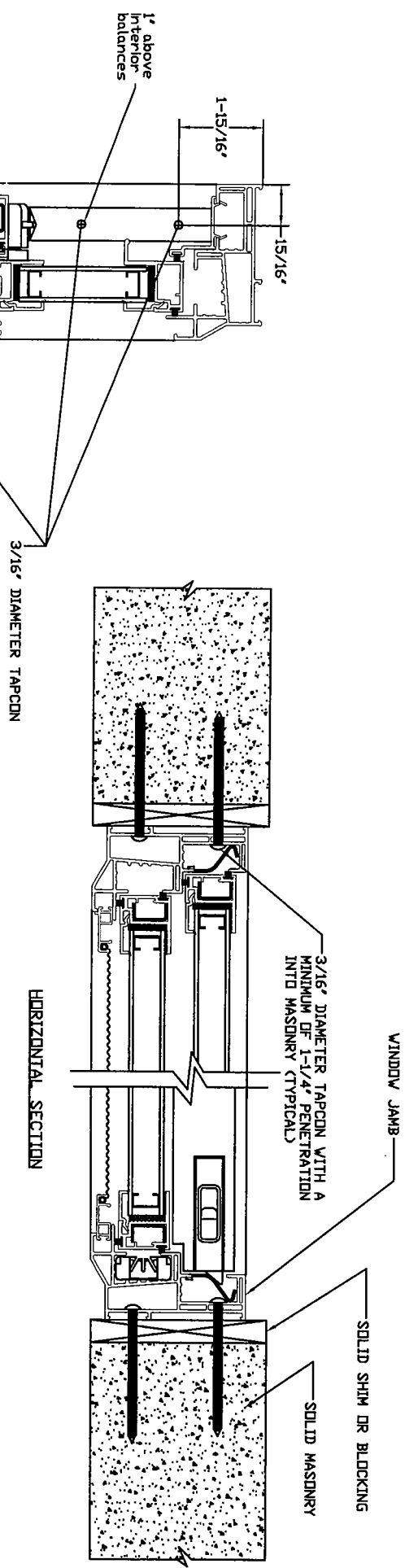
ATI Test Report #	Model 0201 Double Hung Window Size	Allowable Design Wind Pressure (D.P.)
05-30324.02	36' x 72'	+/- 55.0 psf.
05-30324.02	44' x 60'	+/- 45.0 psf.
05-30324.02	44' x 77'	+/- 35.0 psf.

VERTICAL SECTION

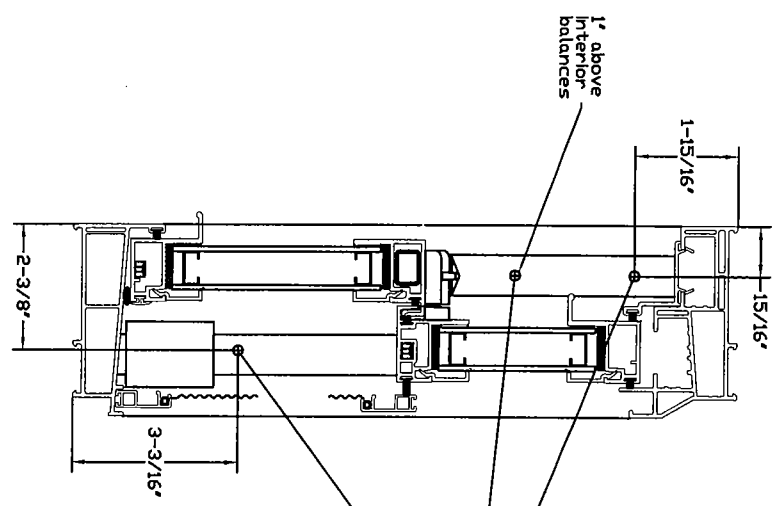
HORIZONTAL SECTION

Allen M. Lewis
 20 NOVEMBER 2002

REV	DATE	DESCRIPTION	BY



HORIZONTAL SECTION



VERTICAL SECTION

Notes: The fasteners shown in these two views (6 Total per window) are capable of withstanding the wind pressures in the table with appropriate factors of safety.

ATI Test Report #	Model 0201 Double Hung Window Size	Allowable Design Wind Pressure (D.P.)
05-30324.02	36' x 72'	+/- 55.0 psf.
05-30324.02	44' x 60'	+/- 45.0 psf.
05-30324.02	44' x 77'	+/- 35.0 psf.

Allen M. Renna
8 May 2002

PROJECT NO. 01-41462	PROJECT NAME MODEL 0201 WINDOW INSTALLATION	DRAWING	DATE 05/08/02
CLIENT ALSIDE WINDOW COMPANY	MASONRY WALL INSTALLATION FASTENERS	DWG. BY TAH	SHEET 1 OF 1