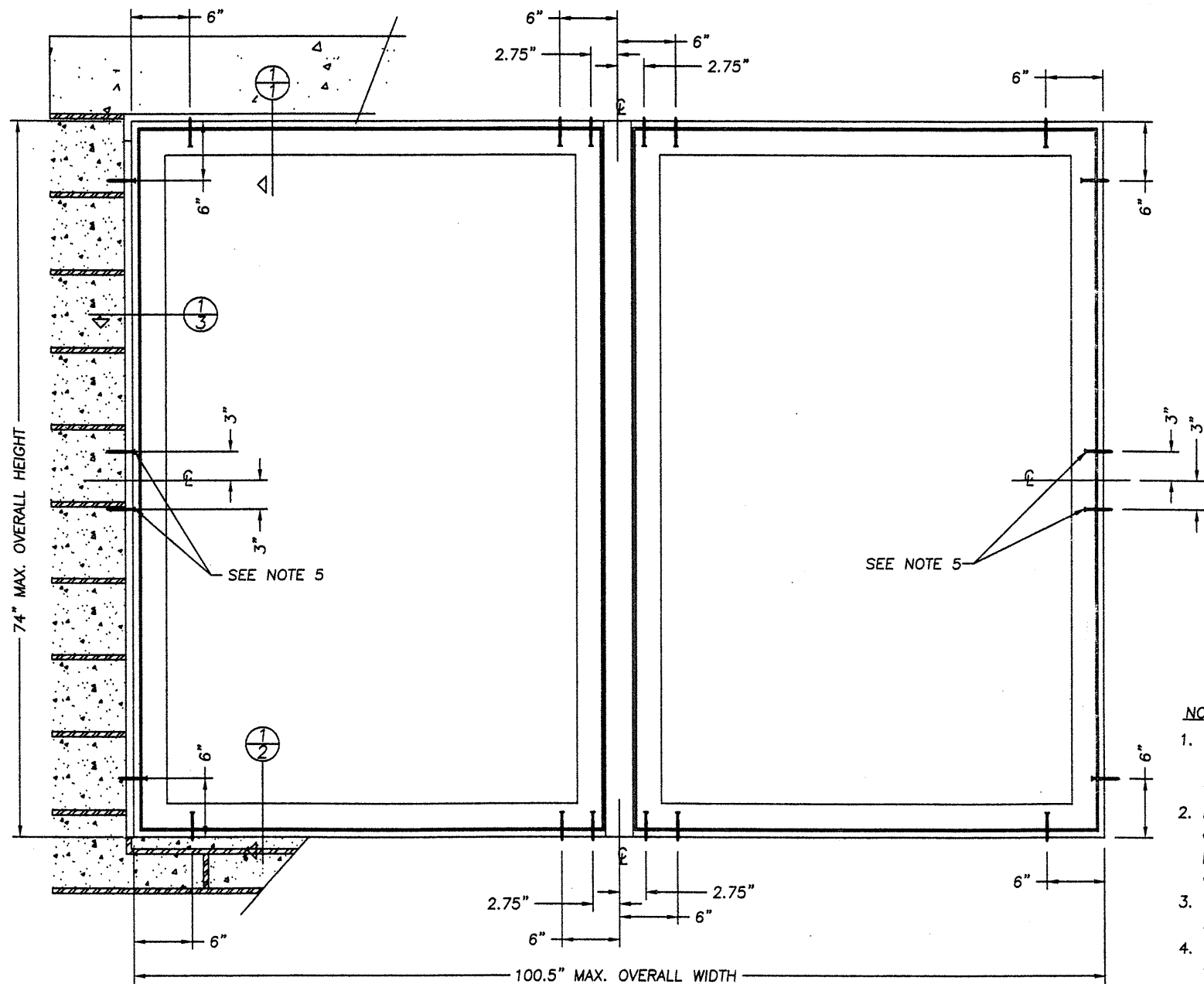
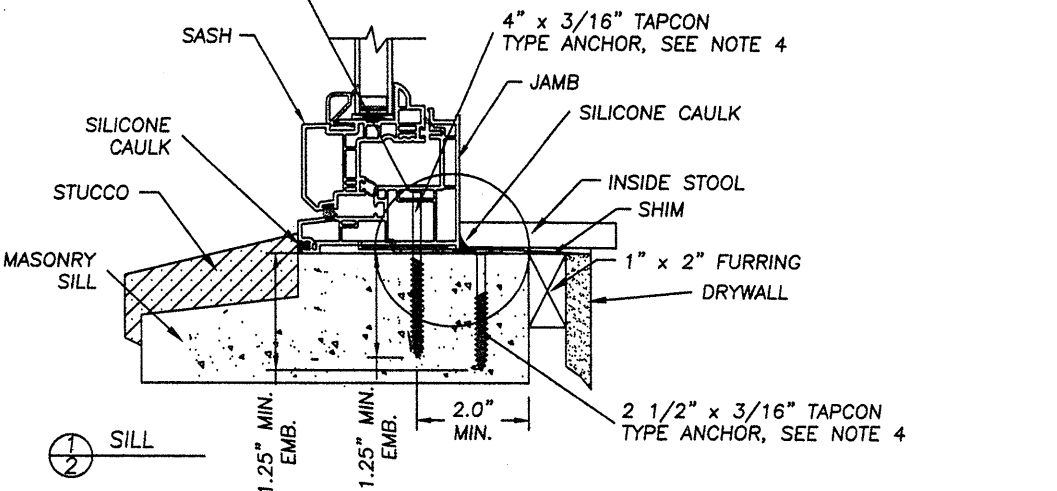
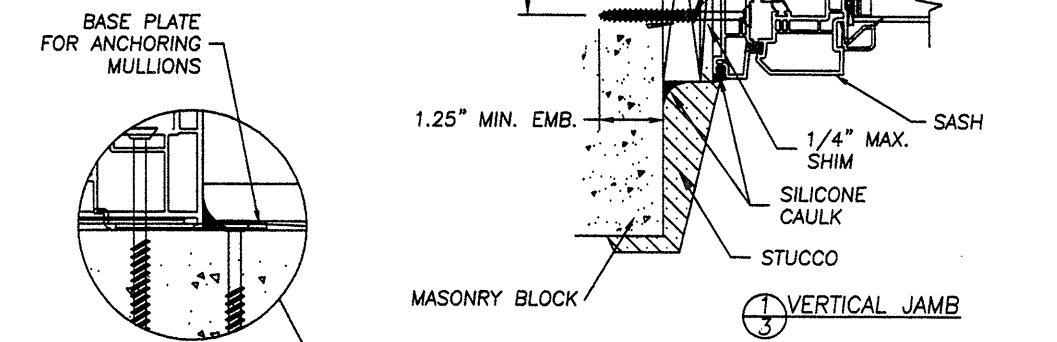
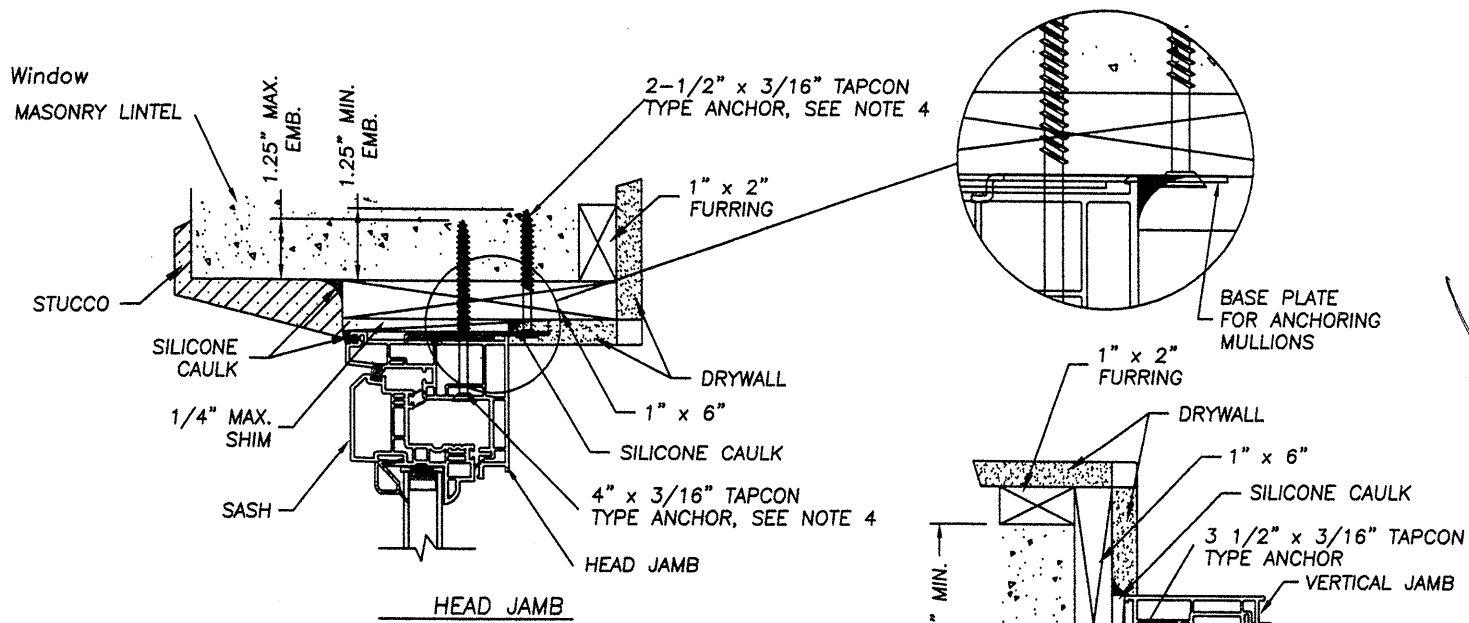


MODEL DESIGNATION: Simonton Muller Twin Casement Series 08-09 Vinyl Window
MAXIMUM OVERALL NOMINAL SIZE: Twin up to 100.5" x 74"
DESIGN PRESSURE RATING: Anchors: Positive 50.0 PSF Negative 50.0 PSF
 Windows: Design Pressure Ratings Vary; See Corresponding AAMA Test Report or Dade NOA or Florida P.E. Evaluation.

USABLE CONFIGURATIONS: XX

GENERAL DESCRIPTION: The head and side jambs are extruded PVC
 The wall thickness through which the anchor screw penetrates is a minimum of 0.070".



NOTE:

1. This system has been evaluated for use in locations adhering to the Florida Building Code and where pressure requirements as determined by ASCE 7 Minimum Design Loads for Buildings and Other Structures do not exceed the design pressure ratings listed herein.
2. For installations where the sub-buck is less than 1-1/2" (FBC section 1707.4.4 Anchorage Methods and sub-sections 1707.4.4.1 and 1707.4.4.2) Tapcon type concrete anchors must be used and the length must be such that a minimum 1-1/4" engagement of the Tapcon into the masonry wall is obtained.
3. When going to a smaller window size no anchor screw shall be in a mortar joint. If a screw falls in a mortar joint relocate the screw 2.0" above or below the mortar joint.
4. The anchor screw at 2.75" from the mullion center is through the mullion anchoring plate. The anchor screw at 6" from the mullion center is through the window frame.
5. When installing a window below 30" in height the center screws are eliminated. When installing a window 30" to 60" in height use (1) screw at the frame center line. When installing a window above 60" to 72" in height anchor as shown with (1) screw 3" above and below the frame center line.
6. All interior and exterior perimeter surfaces of the window must be caulked.

R.F. Schmidt 5.21.02
 Lyndon F. Schmidt
 Florida P. E. No. 43409
 19506 French Lace Drive
 Lutz, FL 33558

Simonton Windows
 One Cochrane Avenue
 Pennsboro, WV 26415
 PH. 800.426.2249

ANCHORING CROSS SECTIONS
 FOR 1 x BUCK TO MASONRY
 CASEMENT
 VINYL WINDOW

RW BUILDING
 CONSULTANTS, INC.
 813.684.3831

DATE: 5/20/02
 SCALE: N.T.S.
 DWG. BY: TJH
 CHK. BY: R.W.
 DRAWING NO.: S-110R
 SHEET 1 OF 1