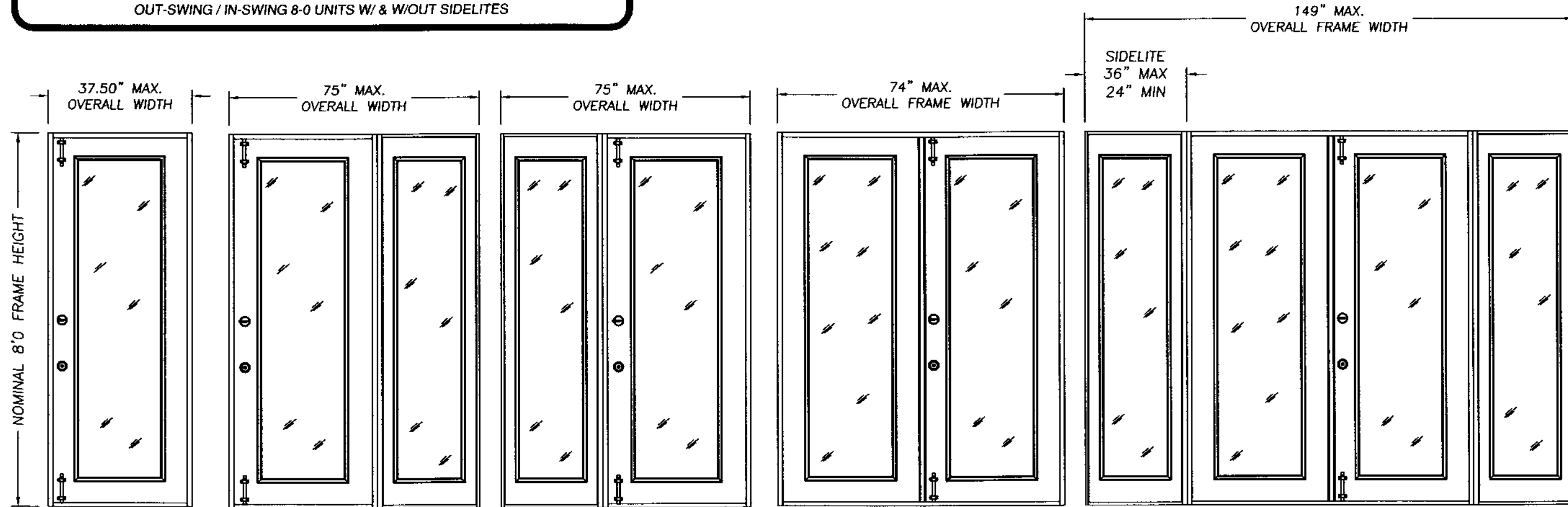


Taylor Door®

STEEL EDGE GLAZED IMPACT RESISTANT STEEL DOOR
OUT-SWING / IN-SWING 8-0 UNITS W/ & W/OUT SIDELITES



X

DESIGN PRESSURE RATING
OUT-SWING / IN-SWING POS. 55.0 NEG. 60.0

X O

DESIGN PRESSURE RATING
OUT-SWING / IN-SWING POS. 55.0 NEG. 60.0

O X

DESIGN PRESSURE RATING
OUT-SWING / IN-SWING POS. 55.0 NEG. 60.0

X X

DESIGN PRESSURE RATING
OUT-SWING / IN-SWING POS. 55.0 NEG. 60.0

O X X O

DESIGN PRESSURE RATING
OUT-SWING / IN-SWING POS. 55.0 NEG. 60.0

GENERAL NOTES

1. THIS PRODUCT IS DESIGNED TO COMPLY WITH THE FLORIDA BUILDING CODE.
2. PRODUCT ANCHORS SHALL BE AS LISTED AND SPACED AS SHOWN ON DETAILS.
3. THE UNITS MEET WINDBORNE DEBRIS EXTERNAL PROTECTION AS DESCRIBED IN SECTION 1626.1 OF THE FLORIDA BUILDING CODE WHEN USED IN WINDBORNE DEBRIS AREAS.
4. FOR INSWING MASONRY ANCHORING SEE SHEET 2 OF 6.
5. FOR OUTSWING MASONRY ANCHORING SEE SHEET 3 OF 6.
6. FOR INSWING POURED CONCRETE ANCHORING SEE SHEET 4 OF 6.
7. FOR OUTSWING POURED CONCRETE ANCHORING SEE SHEET 5 OF 6.
8. FOR INSWING/OUTSWING WOOD STUD ANCHORING SEE SHEET 6 OF 6.

PRODUCT DESCRIPTION

1. THE DOOR FACE SHEETS ARE 24 GA. (0.021") MIN. THICKNESS.
2. THE DOOR PANELS AND SIDELITES ARE FORMED WITH TWO STEEL SKINS WITH A NINETY-DEGREE BREAK AND MECHANICALLY INTERLOCKED.
3. THE INTERIOR DOOR CAVITY OF EACH PANEL IS FILLED WITH A POLYURETHANE FOAM CORE.
4. THE DOOR AND SIDELITE GLAZING ARE PVC FRAME LIP LITE MATERIAL MACHINED AND ASSEMBLED BY THORNTON INDUSTRIES INTO A 1.0" MAX. IMPACT RESISTANT INSULATED ANNEALED/LAMINATED GLASS LITE INSERT. THE IMPACT LITE CONSISTING OF 1/8" ANNEALED GLASS - INNER LAYER 0.090" PVB - 1/8" ANNEALED GLASS AND CAN BE USED AS INBOARD OR OUTBOARD LITE. DECORATIVE LITE UNITS ARE 1.0" OVERALL GLASS THICKNESS.
5. THE WOOD JAMBS ARE A MIN. 4-9/16".
6. THE THRESHOLD IS AN ALUMINUM BUMP FACE TYPE (OUTSWING) OR AN ALUMINUM SADDLE TYPE (INSWING).
7. ALL LATCHBOLT AND DEADBOLT HARDWARE MUST BE CYLINDRICAL GRADE II WITH A 161 EDGE PREP AND A MINIMUM 1.0" DEADBOLT THROW.
8. SIDELITE OVERALL WIDTH: 36" MAX, 24" MIN

Lyndon F. Schmidt
Florida P. E. No. 43409
19506 French Lace Drive Lutz, FL 33558

[Signature]
OCTOBER 22, 2002

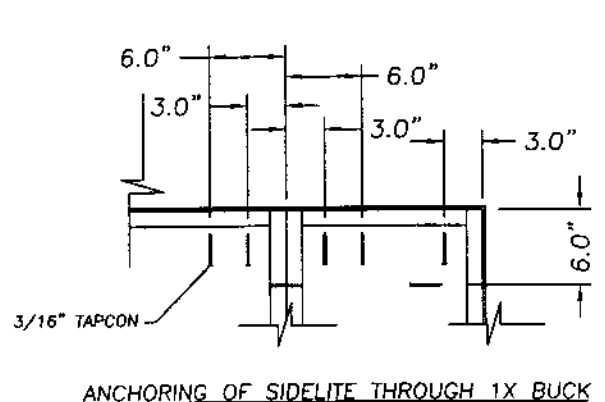
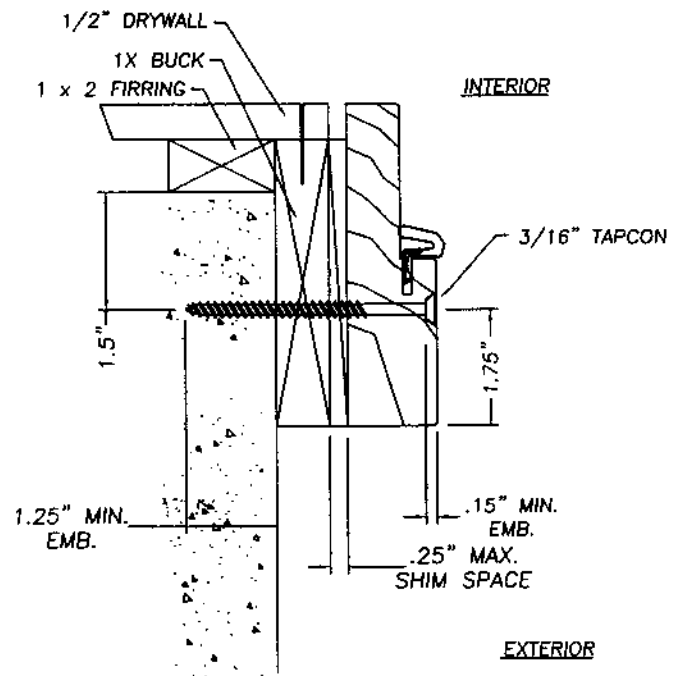
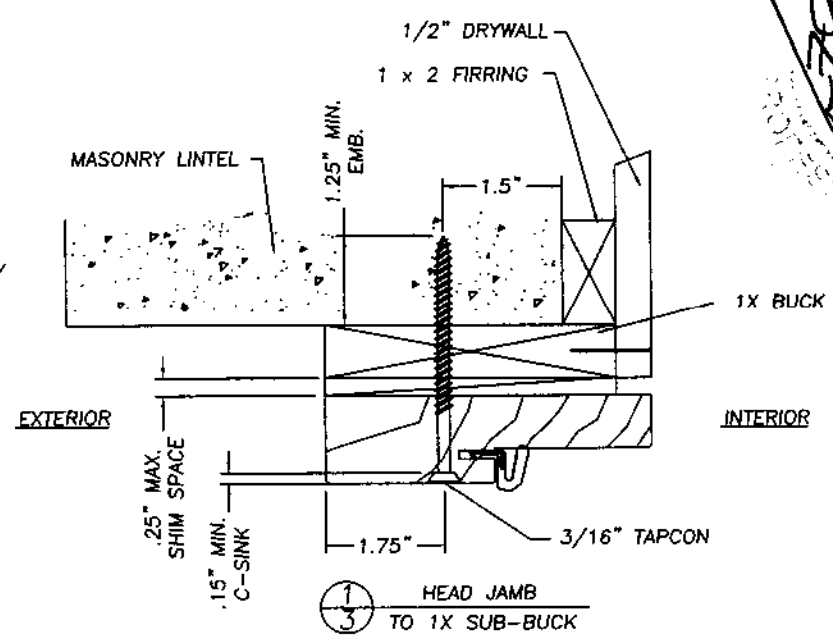
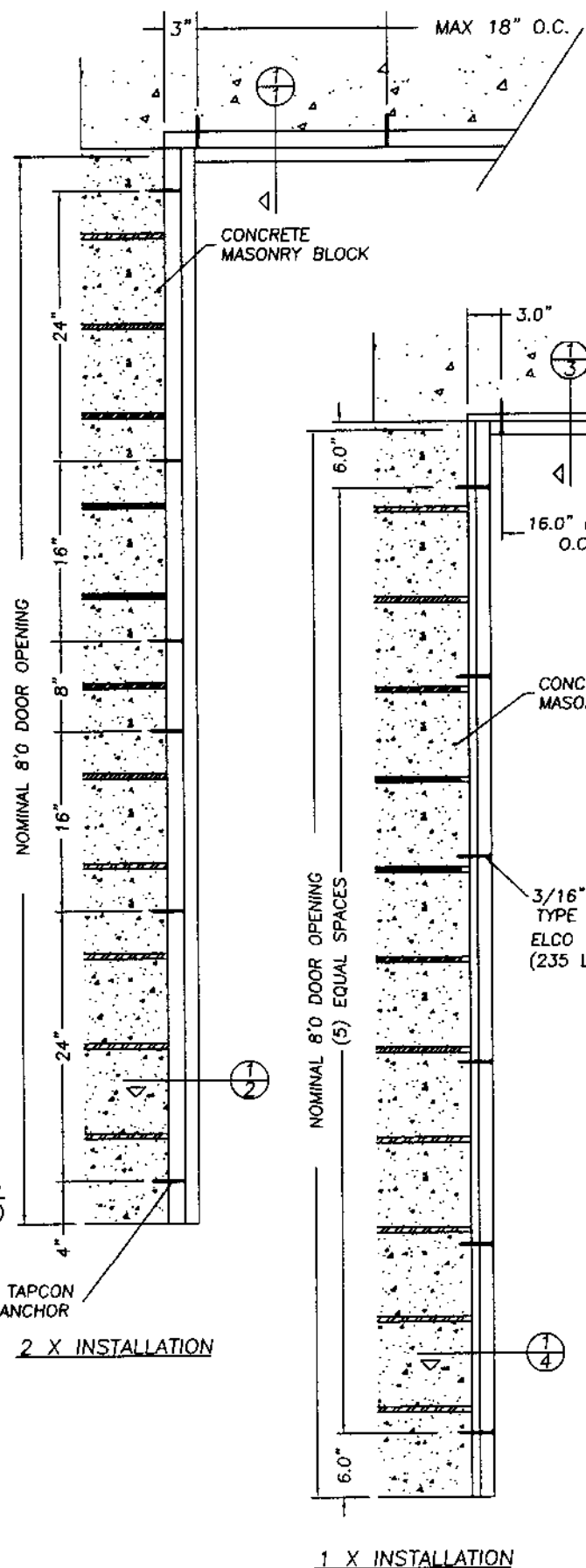
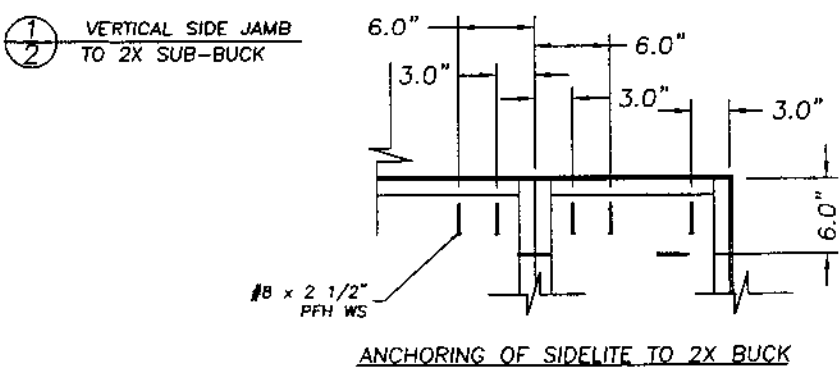
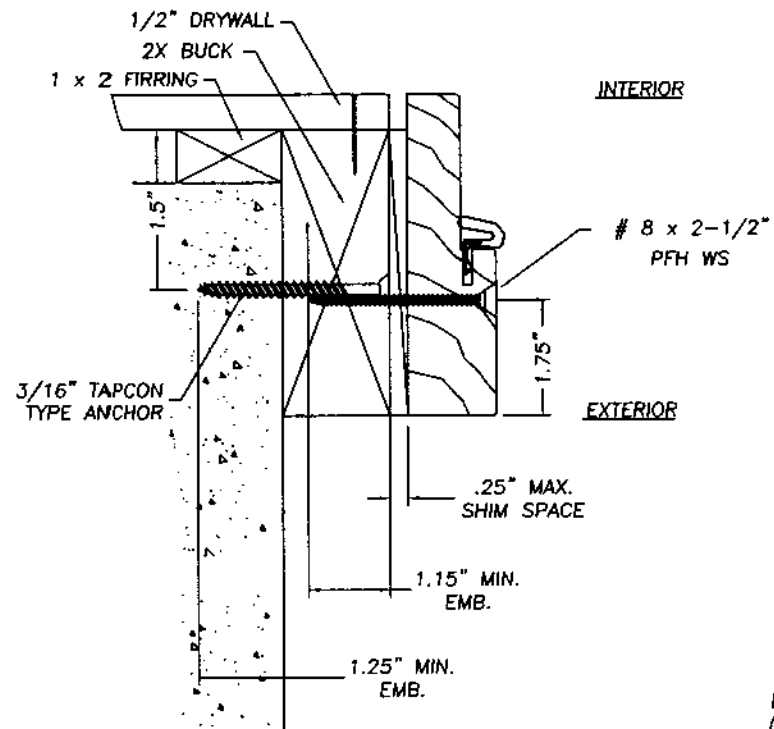
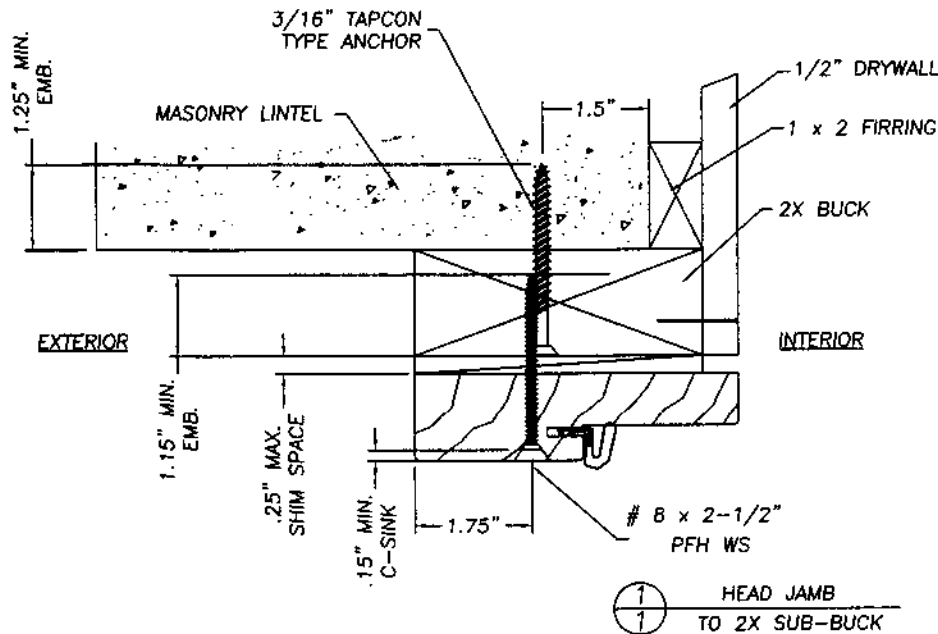
Taylor
AMERICA'S DOORMAKER
TAYLOR BUILDING PRODUCTS, INC.
631 NORTH FIRST STREET
WEST BRANCH, MICHIGAN 48661
PH. (517) 345-5110 FAX. (517) 345-5116

PRODUCT: TAYLOR DOOR
STEEL EDGE STEEL DOOR
GLAZED W/NO SIDELITES
PART OR ASSEMBLY:
GENERAL NOTES &
TYPICAL ELEVATIONS

NO.	DATE	REVISIONS	BY

RW BUILDING
CONSULTANTS, INC.
813.659.9197

DATE: 10/18/02
SCALE: N.T.S.
DWG. BY: ZRK
CHK. BY: RW
DRAWING NO.: TAY-109-OC
SHEET 1 OF 6



NOTE:
A minimum clearance of 2.0" for all anchoring screws to mortar joints must be maintained.

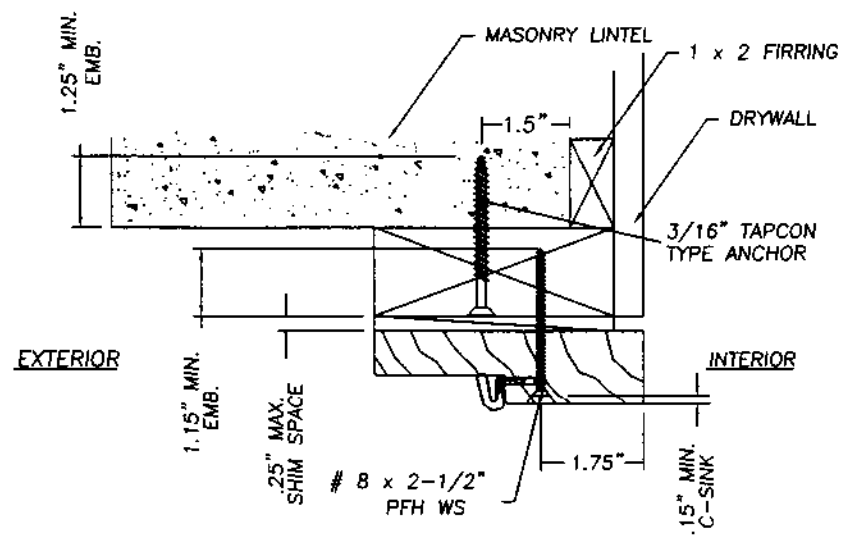
October 22, 2002
Lynden F. Schmidt
Florida P. E. No. 43409
19506 French Lace Drive
Lutz, FL 33558

TAYLOR
ALEXIS DORRNER
TAYLOR BUILDING PRODUCTS, INC.
631 NORTH FIRST STREET
WEST BRANCH, MICHIGAN 48661
PH. (517) 345-5110 FAX. (517) 345-5116

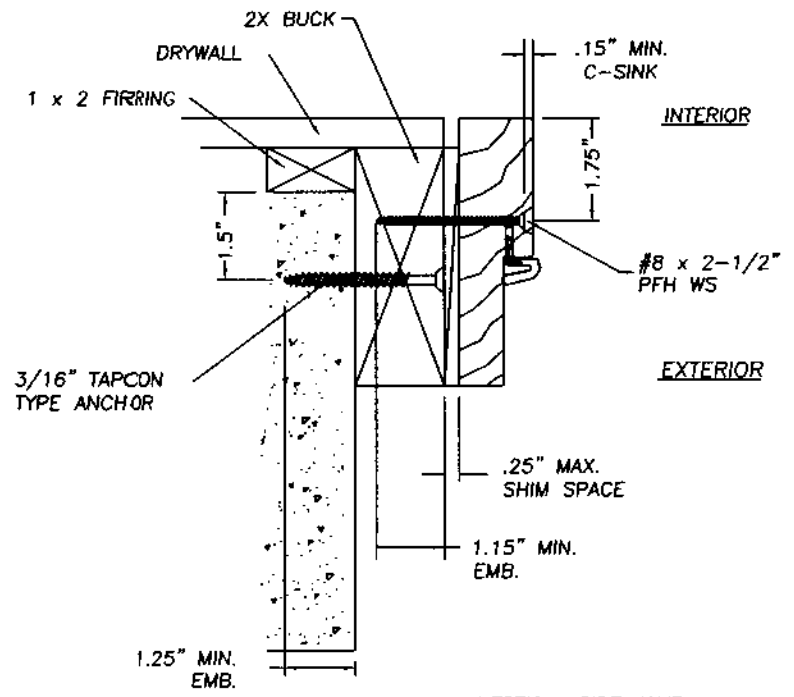
ANCHOR CROSS SECTIONS
MASONRY 8'0"
IN-SWING WOOD FRAME

RW BUILDING CONSULTANTS, INC.
813.659.9197

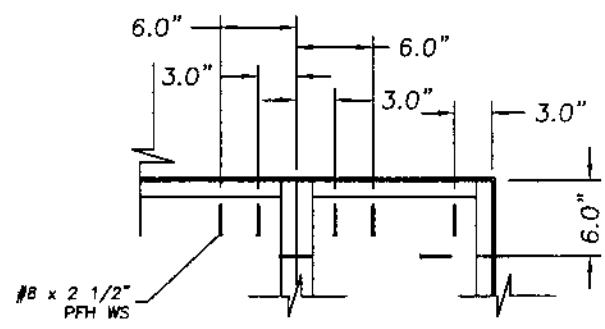
DATE: 10/18/02
SCALE: NTS
DWG. BY: ZRK
CHK. BY: RW
DRAWING NO.: TAY-109-OC
SHEET 2 OF 6



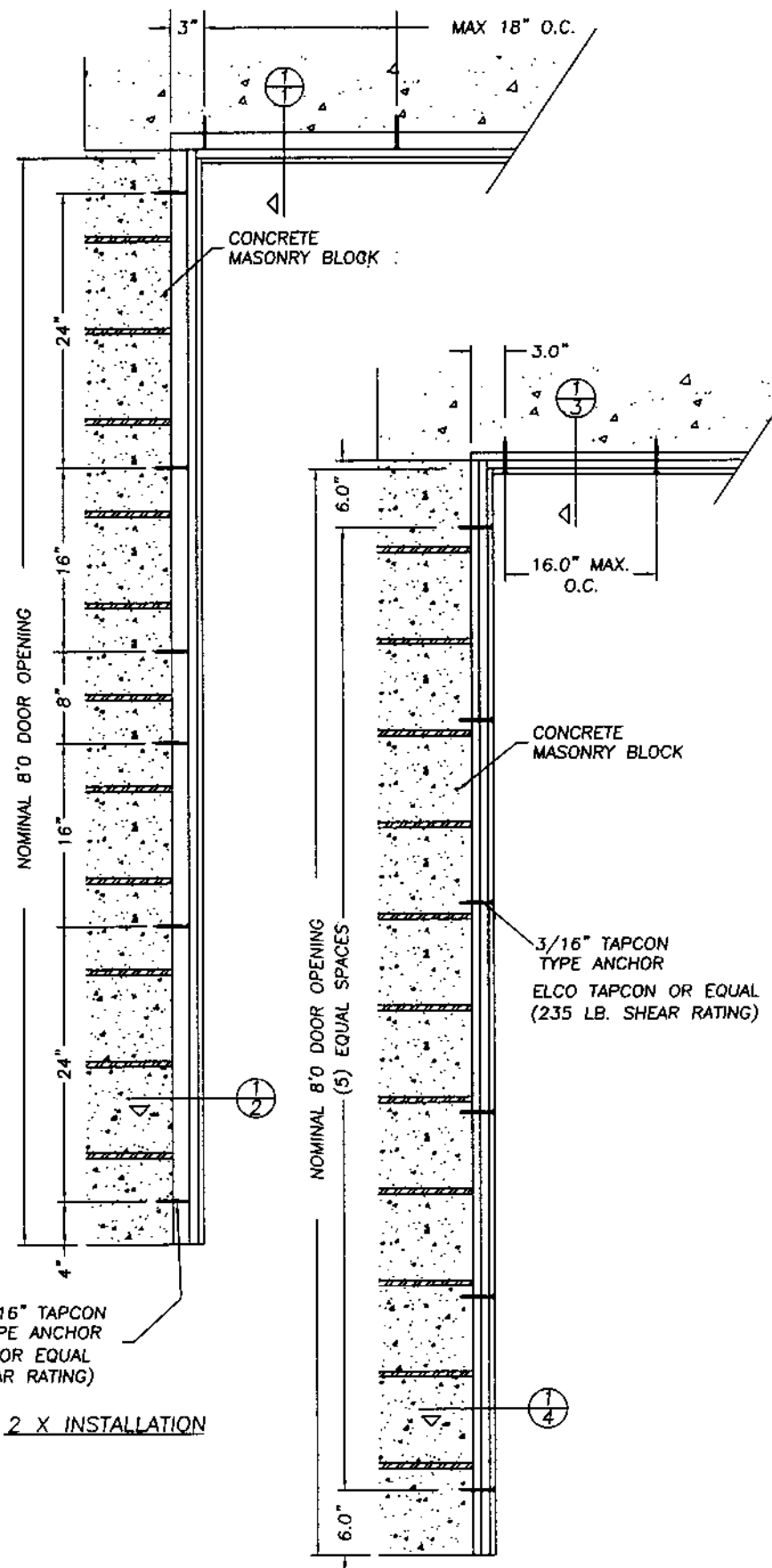
① HEAD JAMB TO 2X SUB-BUCK



② VERTICAL SIDE JAMB TO 2X SUB-BUCK

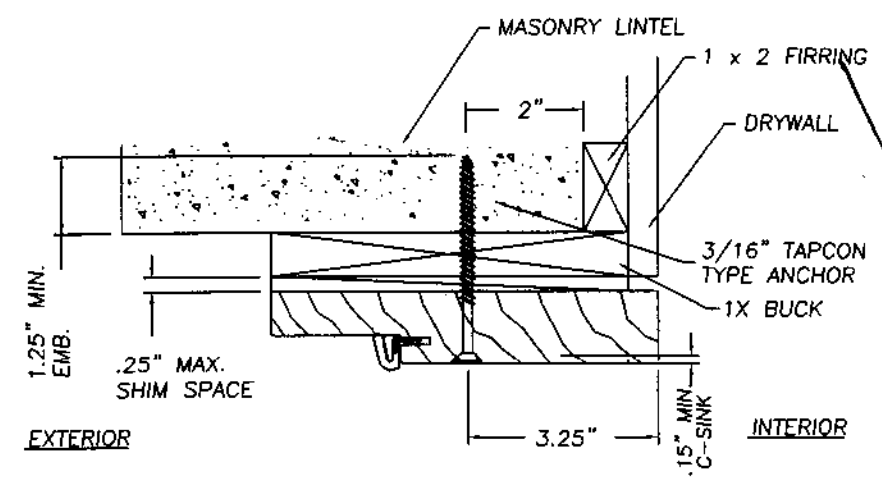


ANCHORING OF SIDELITE TO 2X BUCK

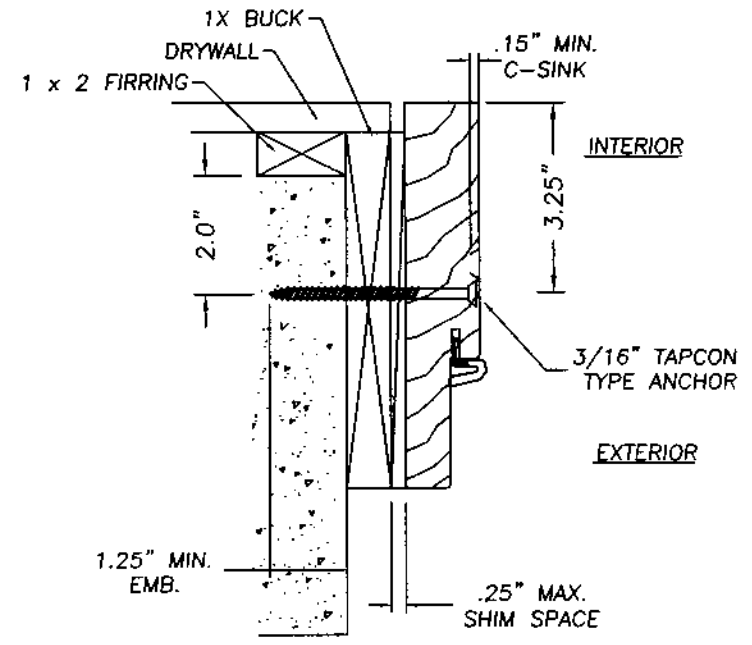


2 X INSTALLATION

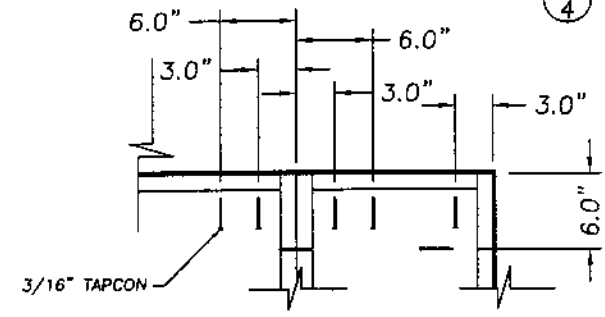
1 X INSTALLATION



③ HEAD JAMB TO 1X SUB-BUCK



④ VERTICAL SIDE JAMB TO 1X SUB-BUCK



ANCHORING OF SIDELITE THROUGH 1X BUCK

- NOTE:
1. When using a 1X sub-buck a 6-9/16" jamb is required to allow for min. edge spacing for Tapcon type anchors.
 2. A minimum clearance of 2.0" for all anchoring screws to mortar joints must be maintained.

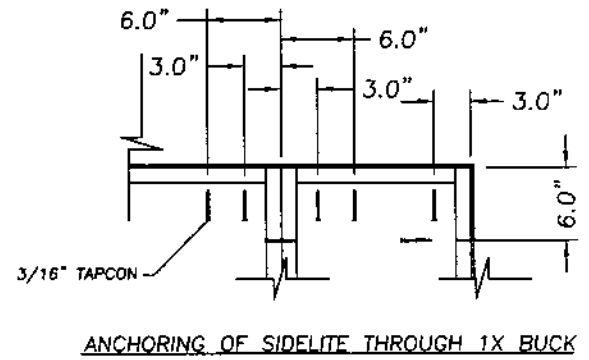
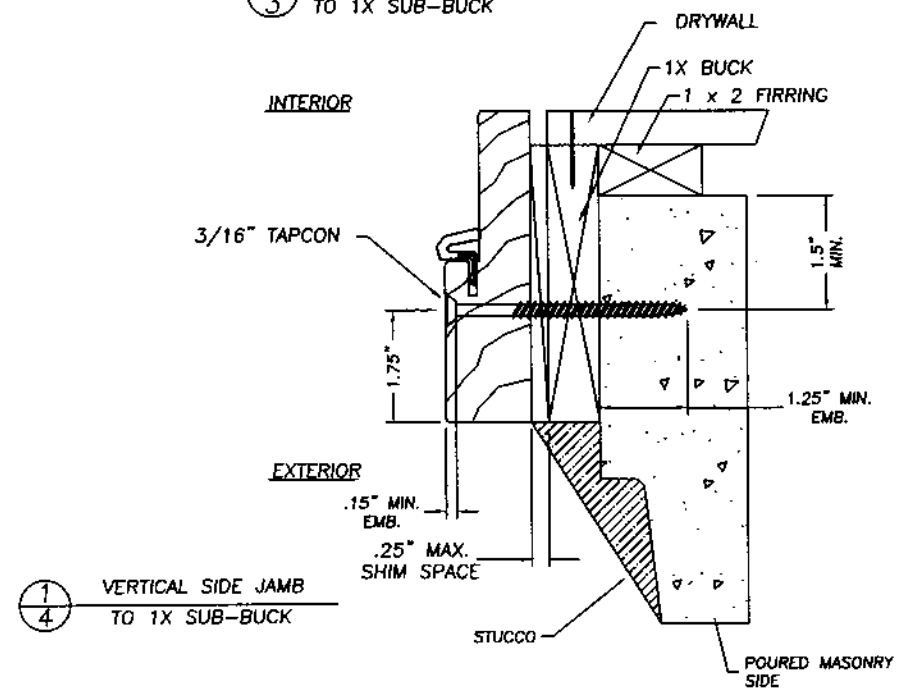
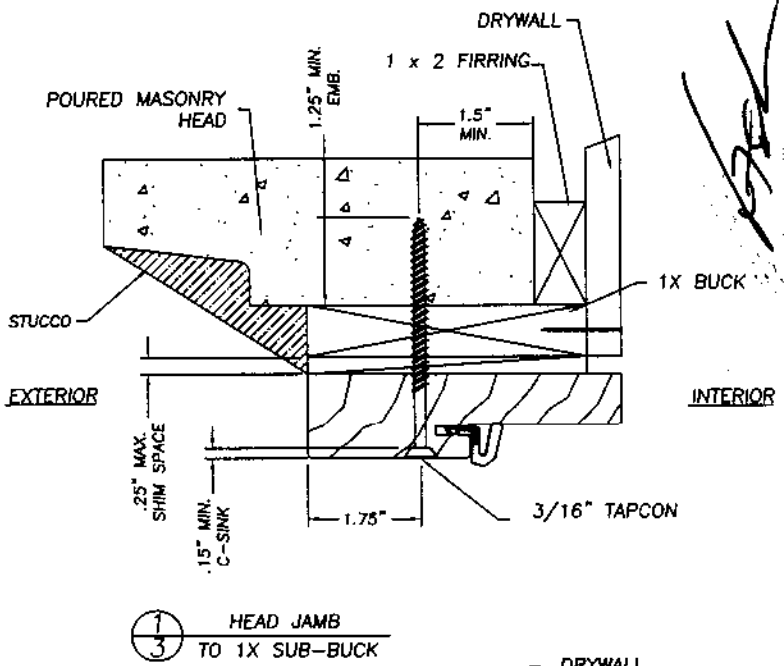
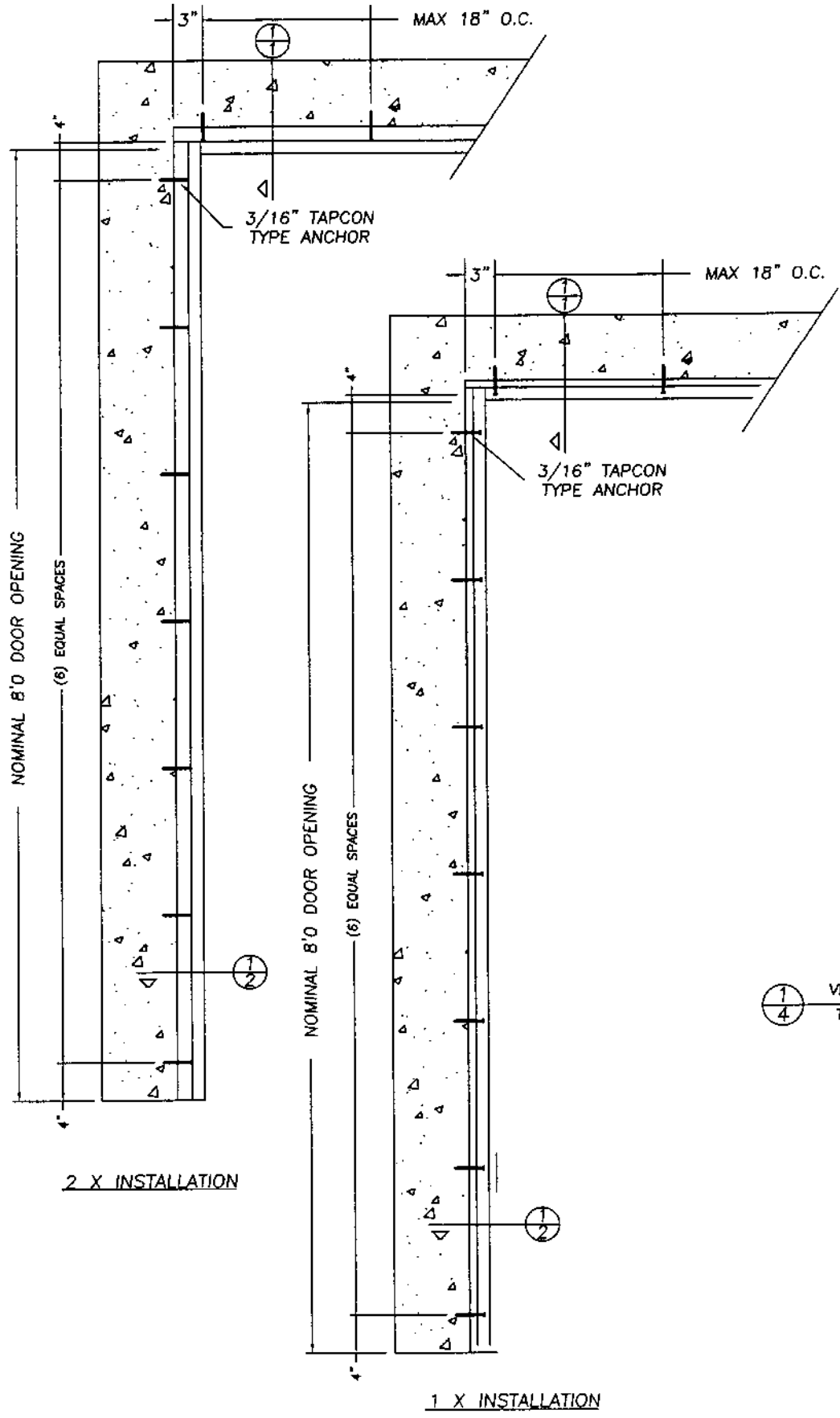
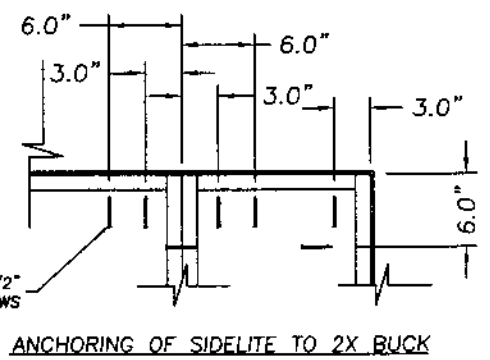
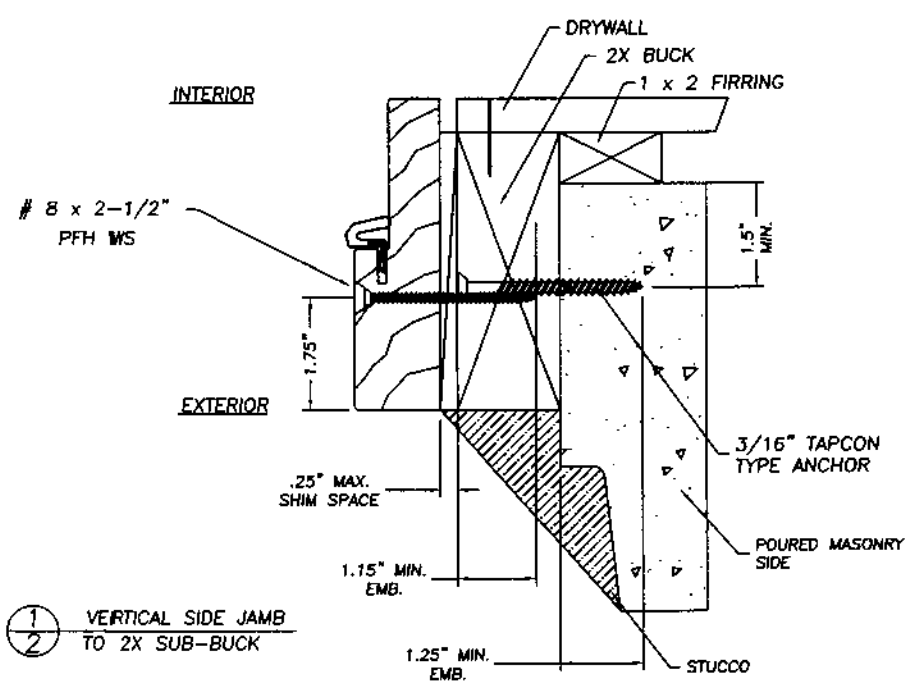
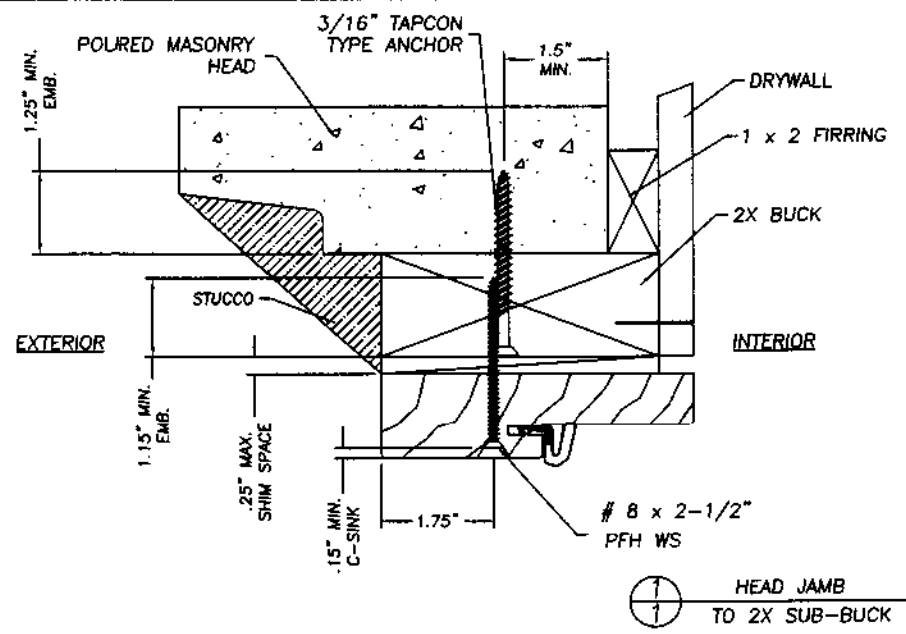
October 22, 2002
 Lyndon F. Schmidt
 Florida P. E. No. 43409
 19506 French Lacey Drive
 Lutz, FL 33558

TAYLOR
 TAYLOR BUILDING PRODUCTS, INC.
 631 NORTH FIRST STREET
 WEST BRANCH, MICHIGAN 48661
 PH. (517) 345-5110 FAX. (517) 345-5116

ANCHOR CROSS SECTIONS
 MASONRY 8'0"
 OUT-SWING WOOD FRAME

RW BUILDING CONSULTANTS, INC.
 813.659.9197

DATE: 10/18/02
 SCALE: NTS
 DWG. BY: ZRK
 CHK. BY: RW
 DRAWING NO.: TAY-109-OC
 SHEET 3 OF 6



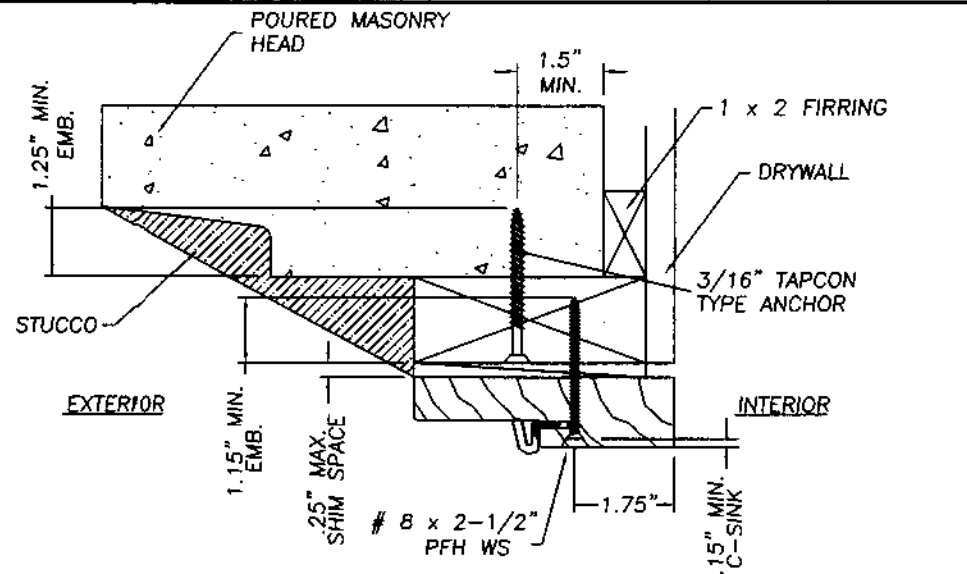
NOTE:
2500 PSI minimum concrete required for anchoring shown above.

October 22, 2002
Lyndon F. Schmidt
Florida P. E. No. 43409
19506 French Lace Drive
Lutz, FL 33558

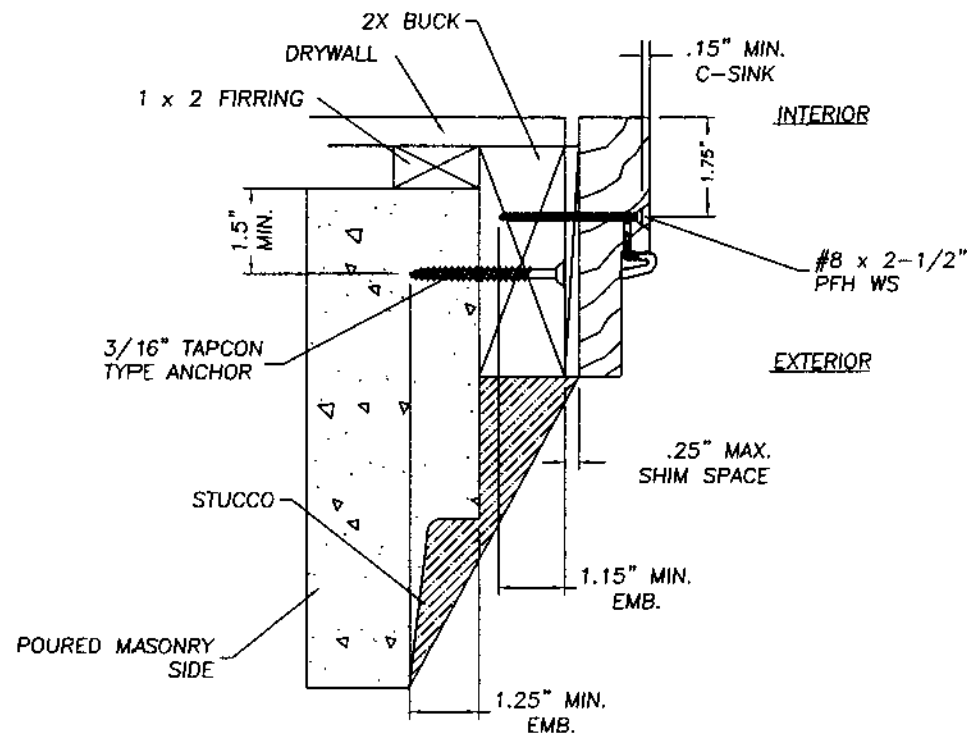
TAYLOR
AMERICAN CONCRETE FORMWORK
TAYLOR BUILDING PRODUCTS, INC.
631 NORTH FIRST STREET
WEST BRANCH, MICHIGAN 48661
PH. (989) 345-5110 FAX. (989) 345-5116

ANCHORING CROSS SECTIONS
FOR POURED WALL
CONSTRUCTION 8'0"
IN-SWING WOOD FRAME

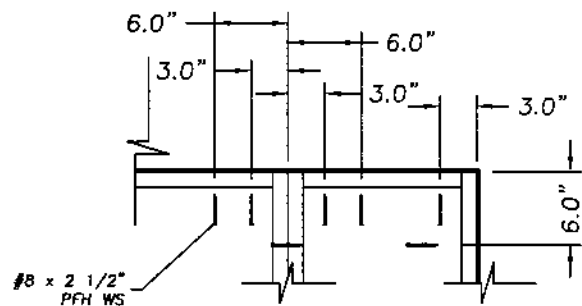
RW BUILDING CONSULTANTS, INC.
813.659.9197
DATE: 10/18/02
SCALE: N.T.S.
DWG. BY: ZRK
CHK. BY: RW
DRAWING NO.: TAY-109-OC
SHEET 4 OF 6



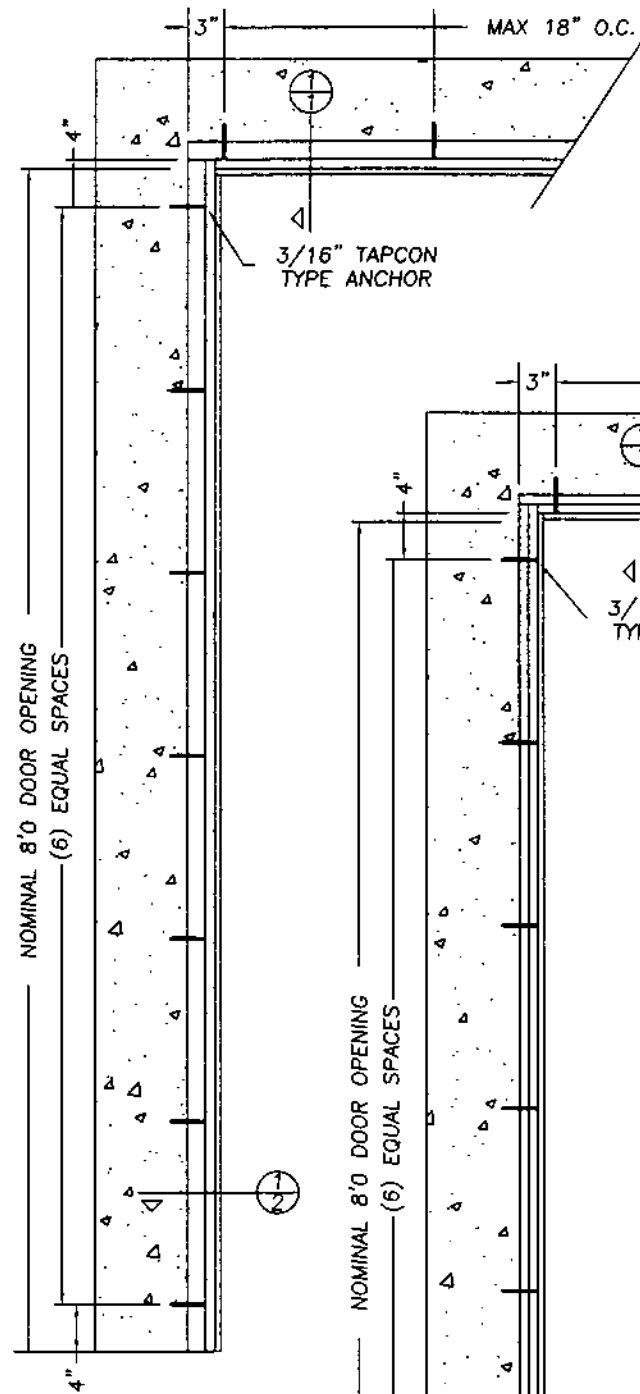
① HEAD JAMB TO 2X SUB-BUCK



② VERTICAL SIDE JAMB TO 2X SUB-BUCK



ANCHORING OF SIDELITE TO 2X BUCK

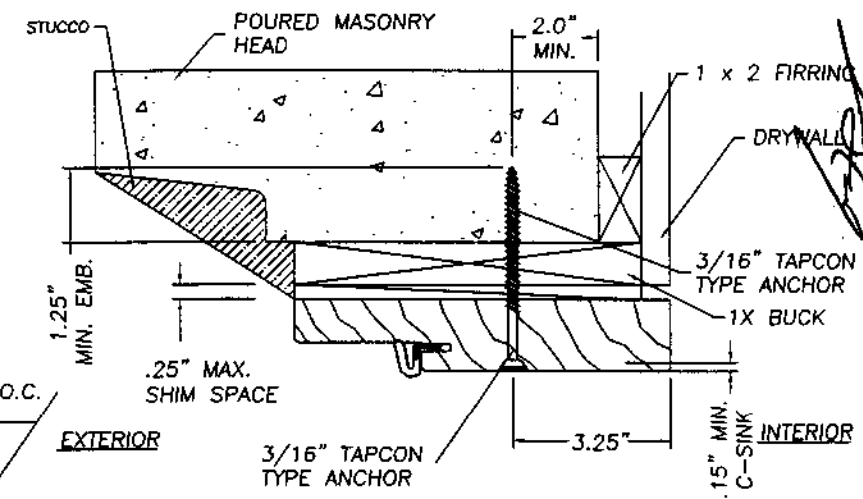


2 X INSTALLATION

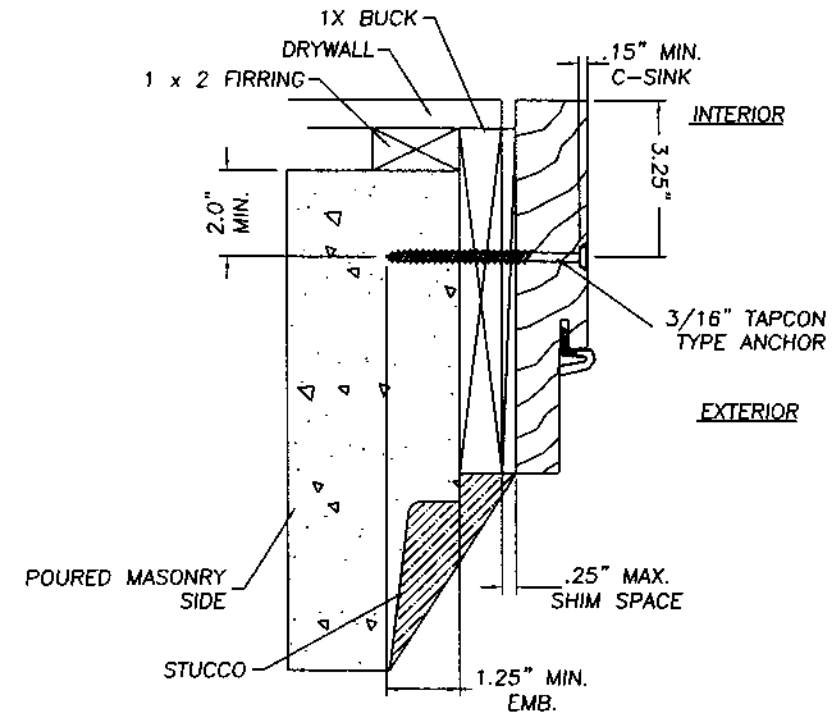
1 X INSTALLATION

NOTE:

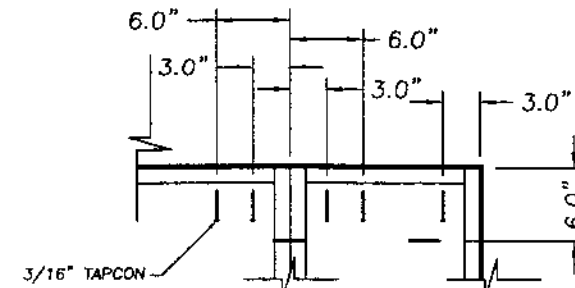
1. When using a 1X sub-buck a 6-9/16" jamb is required to allow for min. edge spacing for Tapcon type anchors.
2. 2500 PSI minimum concrete required for the anchoring shown above.



③ HEAD JAMB TO 1X SUB-BUCK



④ VERTICAL SIDE JAMB TO 1X SUB-BUCK



ANCHORING OF SIDELITE THROUGH 1X BUCK

October 22, 2002

Lyndon F. Schmidt
Florida P. E. No. 43409
19506 French Lace Drive
Lutz, FL 33558



TAYLOR BUILDING PRODUCTS, INC.
631 NORTH FIRST STREET
WEST BRANCH, MICHIGAN 48661
PH. (989) 345-5110 FAX. (989) 345-5116

ANCHORING CROSS SECTIONS
FOR POURED WALL
CONSTRUCTION 8'0
OUT-SWING WOOD FRAME

RW BUILDING
CONSULTANTS, INC.
813.659.9197

DATE: 10/18/02

SCALE: N.T.S.

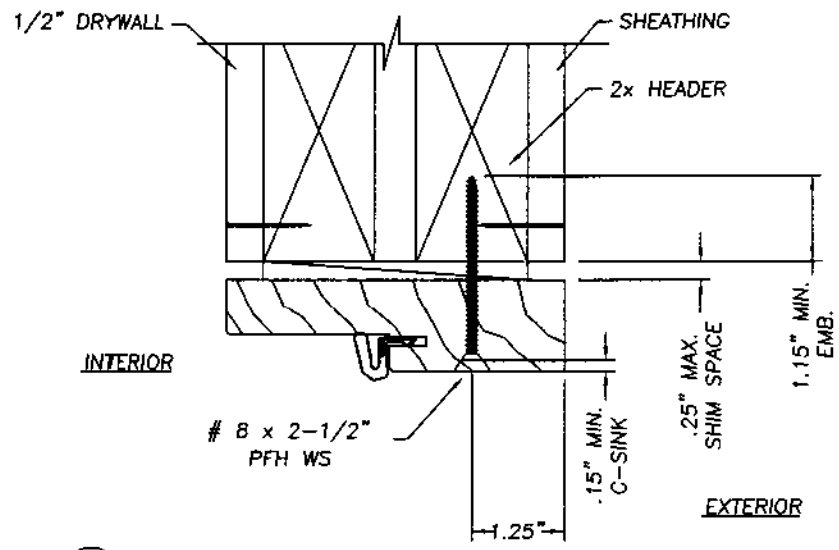
DWG. BY: ZRK

CHK. BY: RW

DRAWING NO.:

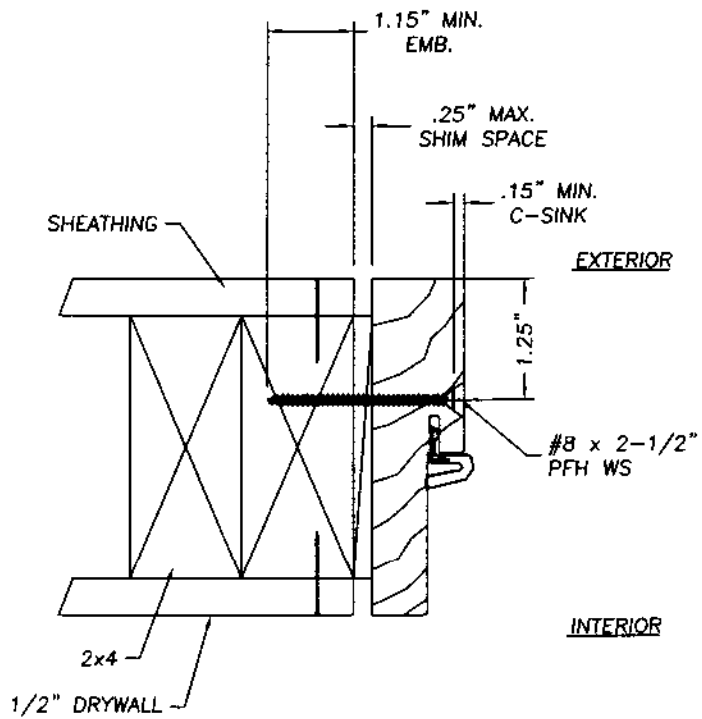
TAY-109-OC

SHEET 5 OF 6



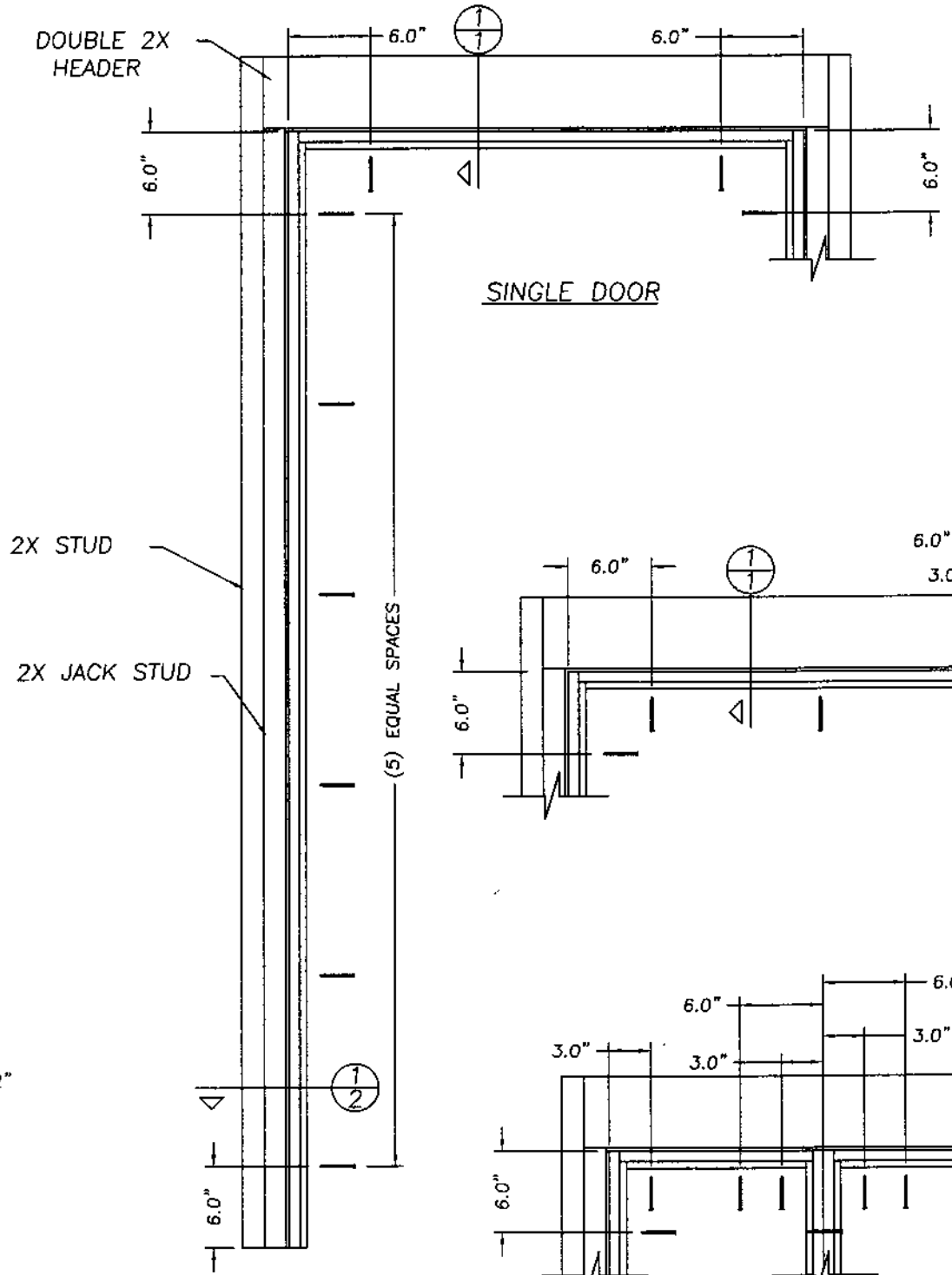
1
1

HEAD JAMB

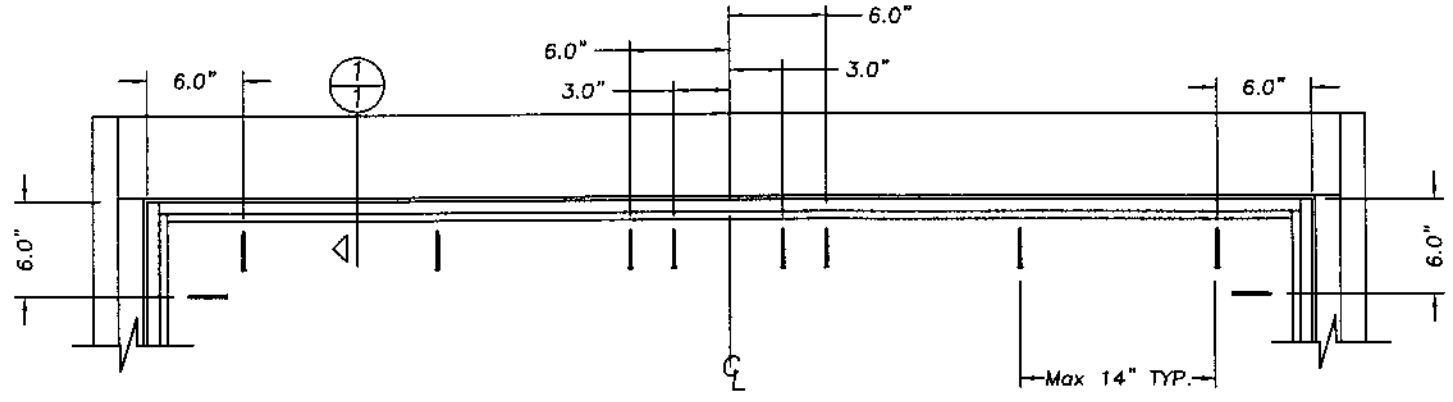


1
2

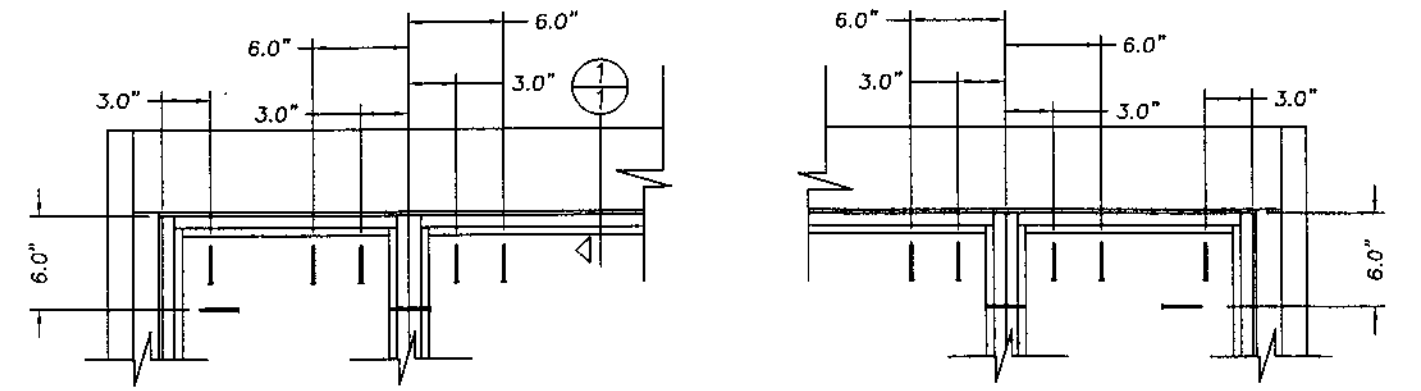
VERTICAL SIDE JAMB



SINGLE DOOR



DOUBLE DOOR



SINGLE OR DOUBLE DOOR WITH SIDELITES

ZRK

October 22, 2002
 Lyndon F. Schmidt
 Florida P. E. No. 43409
 19506 French Lace Drive
 Lutz, FL 33558

TAYLOR
 TAYLOR BUILDING PRODUCTS, INC.
 631 NORTH FIRST STREET
 WEST BRANCH, MICHIGAN 48661
 PH. (517) 345-5110 FAX. (517) 345-5116

ANCHOR CROSS SECTIONS
 WOOD OR STEEL STUD
 IN-SWING / OUT-SWING
 WOOD FRAME

RW BUILDING
 CONSULTANTS, INC.
 813.659.9197

DATE: 10/18/02
 SCALE: NTS
 DWG. BY: ZRK
 CHK. BY: RW
 DRAWING NO.: TAY-109-OC
 SHEET 6 OF 6