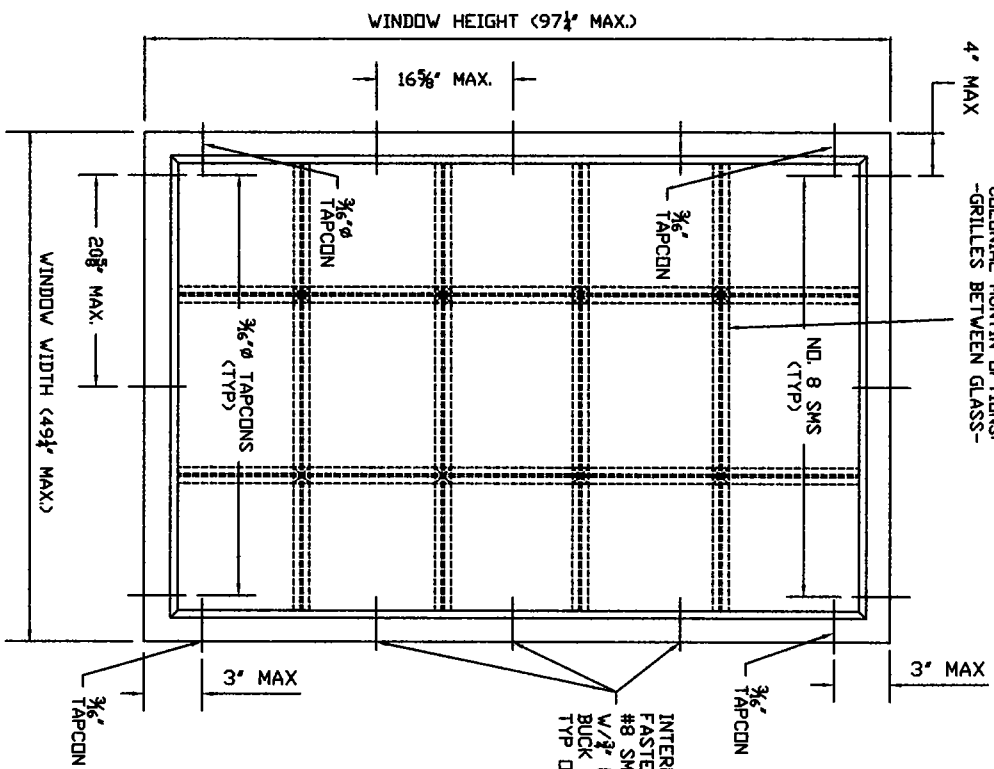
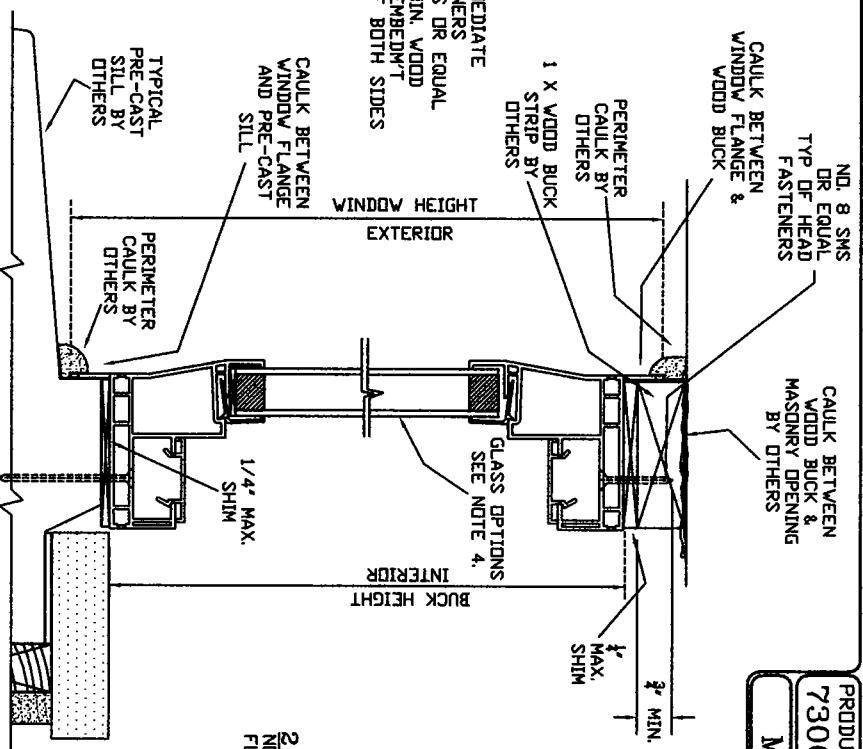


4" MAX
COLONIAL MUNTIN OPTIONS - GRILLES BETWEEN GLASS-

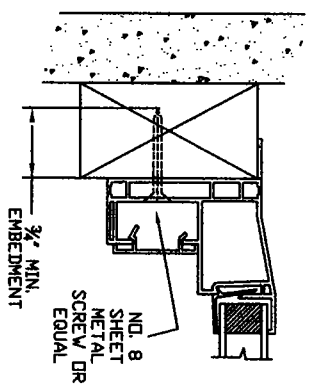


TYPICAL ELEVATION W/FASTER LOCATIONS

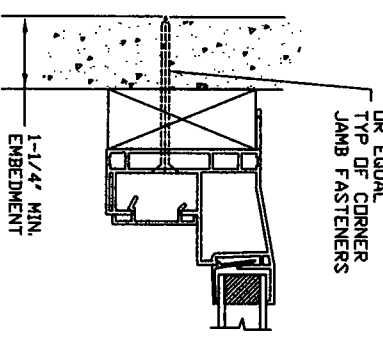
- WINDOW INSTALLATION NOTES:
1. DESIGN STRUCTURAL LOAD/RATING: 50 PSF/F--R50 & 35 PSF/F--R35Z
 2. CERTIFIED TEST REPORT: CTLA--886W--2 & CTLA--886W--3
 3. FRAME: PVC/FLANGE TYP
 4. GLASS: SINGLE PANE & INSULATED
 5. FASTENERS: 304 SS OR COATED FOR CORROSION RESISTANCE.
 6. GLAZING: INTERIOR GLAZED WITH ADHESIVE SILICONE BACK-BEDDING AND A SNAP IN RIGID PVC GLAZING BEAD. GLAZING BITE = .437" TYPICAL
 7. WINDOW SEALANTS: COMPLY W/AAMA 800-92 OR EQUIVALENT.
 8. WINDOW WOOD BUCKS: STRUCTURAL INTEGRITY AND ATTACHMENT TO OWNER, ENGINEER, AND/OR THE CONTRACTOR.
 9. STATE & LOCAL BLDG. CODES. CONFORMANCE IS SOLE RESPONSIBILITY OF THE ARCHITECT, BLDG. OWNER OR CONTRACTOR.



ELEVATION SECTION (TYP)



1 x BUCK JAMB SECTION (TYP)



2 x BUCK JAMB SECTION (TYP)

PRODUCT SERIES:
7300 PVC PICTURE WINDOW
MASONRY INSTALLATION

Douglas Preston, PE
3-3-24-3

SEASONSHIELD INC.
DRAWING NUMBER

SHEET NUMBER

73M

1 of 1

Engineering Approvals:

Douglas Preston, PE
FL License No. 53291
11531 Vellman Dr.
Riverview, FL 33569 (813)689-9418

PE certification is for structural loads only.

DATE: 03/02/02

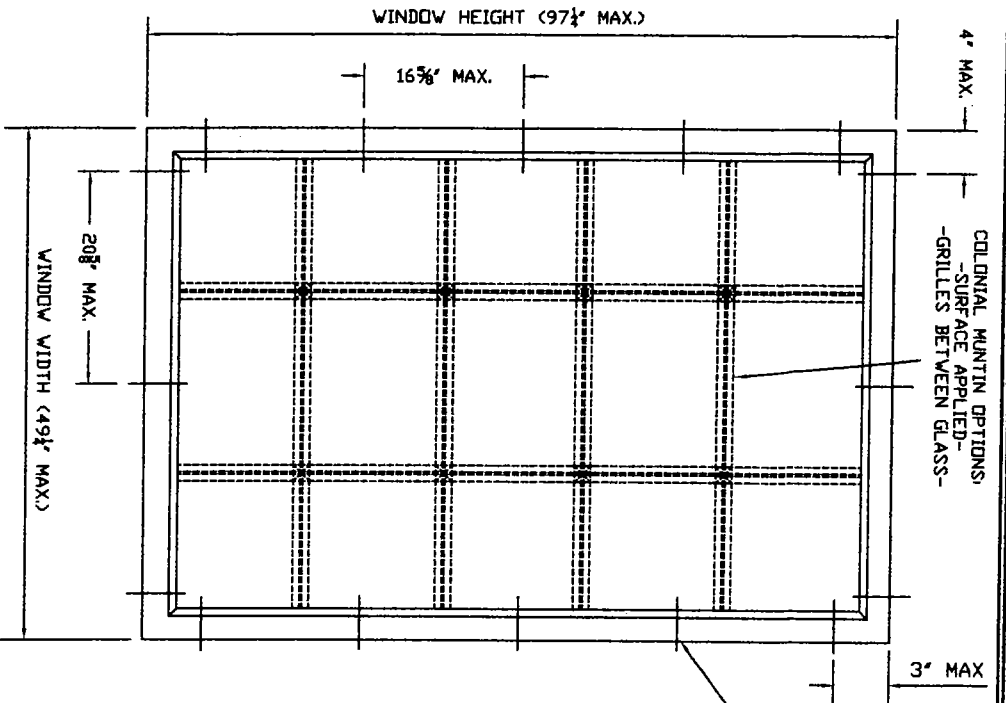
Scale: N.T.S.

Drawn BY: JRGH, NGH

SEASONSHIELD

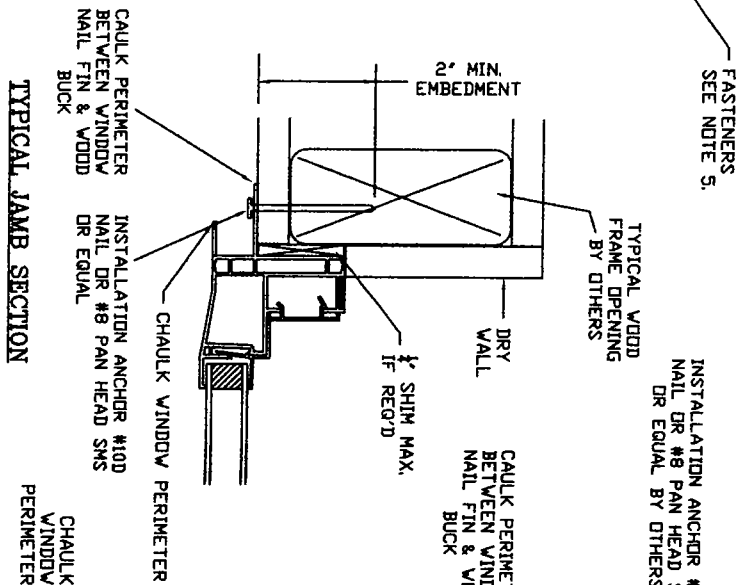
INCORPORATED

4" MAX.
COLONIAL MUNTIN OPTIONS:
-SURFACE APPLIED-
-GRILLES BETWEEN GLASS-

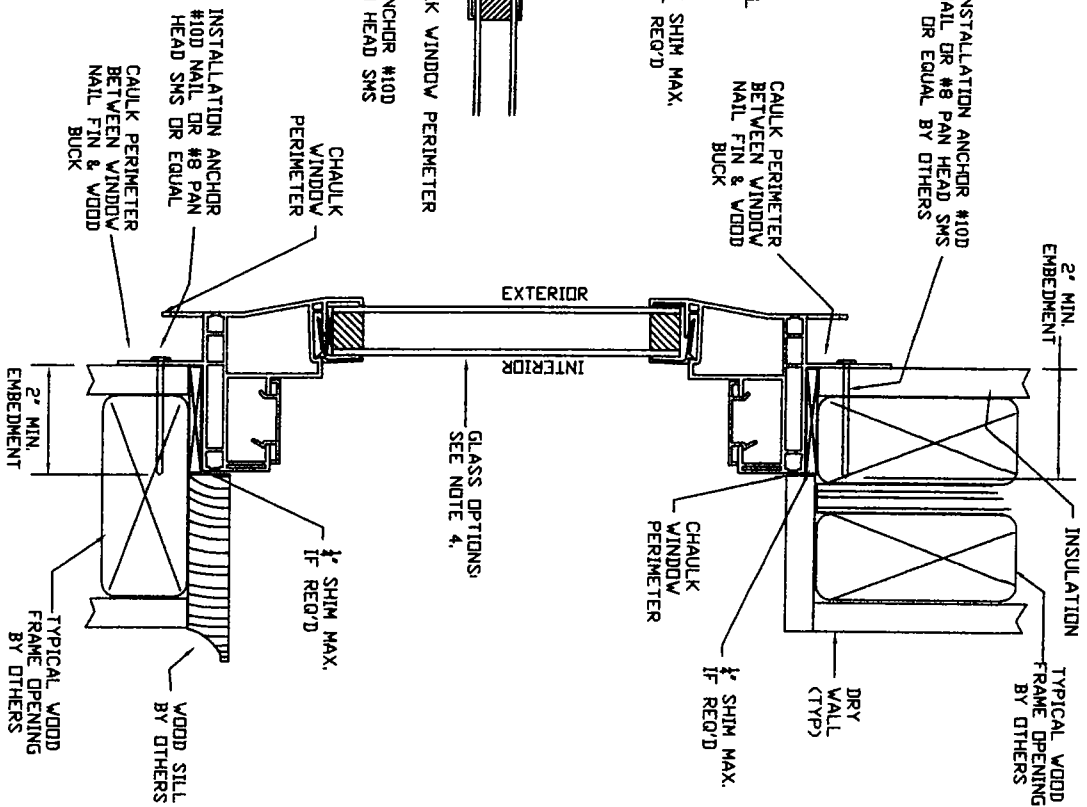


TYPICAL ELEVATION W/FASTENER LOCATIONS

- WINDOW INSTALLATION NOTES:
1. DESIGN STRUCTURAL LOAD/RATING: 50 PSF /F--R50 & 35 PSF /F--R35Z
 2. CERTIFIED TEST REPORT: CITA-886W-2 & CITA-886W-3
 3. FRAME: PVC/FIN TYP
 4. GLASS: SINGLE PANE & INSULATED
 5. FASTENERS: 304 SS OR COATED FOR CORROSION RESISTANCE
 6. GLAZING: INTERIOR GLAZED WITH ADHESIVE BACK-BEDDING AND A SNAP IN INTERIOR RIGID PVC GLAZING BEAD
 7. WINDOW SEALANTS: COMPLY W/MAMA 800-92 OR EQUIVALENT.
 8. STATE & LOCAL BLDG. CODES; CONFORMANCE IS SOLE RESPONSIBILITY OF THE ARCHITECT, BLDG. OWNER OR CONTRACTOR.



TYPICAL JAMB SECTION



TYPICAL ELEVATION SECTION

PRODUCT SERIES:
7300 PICTURE WINDOW
WOOD FRAME INSTALLATION

SEASONSIELD INC.
DRAWING NUMBER

SHEET NUMBER

Engineering Approvals:

***** NOTE *****
PE Certification is for structural loads only.

Date: 03/02/02

Scale: N.T.S.
Drawn By: N.G.H.

73W

1 of 1

Douglas Preston, PE
FL License No. 53291
11531 Wellman Dr.
Riverview, FL 33569 (813)6899418

